



7000A-2S

7000A-S



7020A

Waffle Bakers

Waffle Bakers

model #: 7000A, 7000A-S, 7000A-240, 7000A-S240, 7000A-2, 7000A-2S, 7000A-2240, 7000A-2S240

Belgian Waffle Bakers

model #: 7020A, 7020A-S, 7020A-1, 7020A-1S, 7020A-208, 7020A-S208, 7020A-1208, 7020A-1S208, 7020A-240, 7020A-S240

STANDARD FEATURES

- Digital Programmable controls with count down timer
- Standard LED display and electronic audible alarm
- Top Mounted Control Panel, minimizes mess
- Single or Double grids available in waffle bakers
- Belgian Waffle Baker available with fixed (removable with tools) or removable grids, (removable without tools)
- Belgian Waffle Baker grids rotate to make fluffier waffles and lock for reducing batter overflow
- Series 7000A is available in 120V or 240V units
- Series 7020A is available in 120V, 208V, and 240V units
- Coiled Spring "CoolTouch" handles
- Constructed of brushed stainless steel and stainless steel tubing
- Cast Aluminum Grids
- cETLus, NSF listed

ACCESSORIES

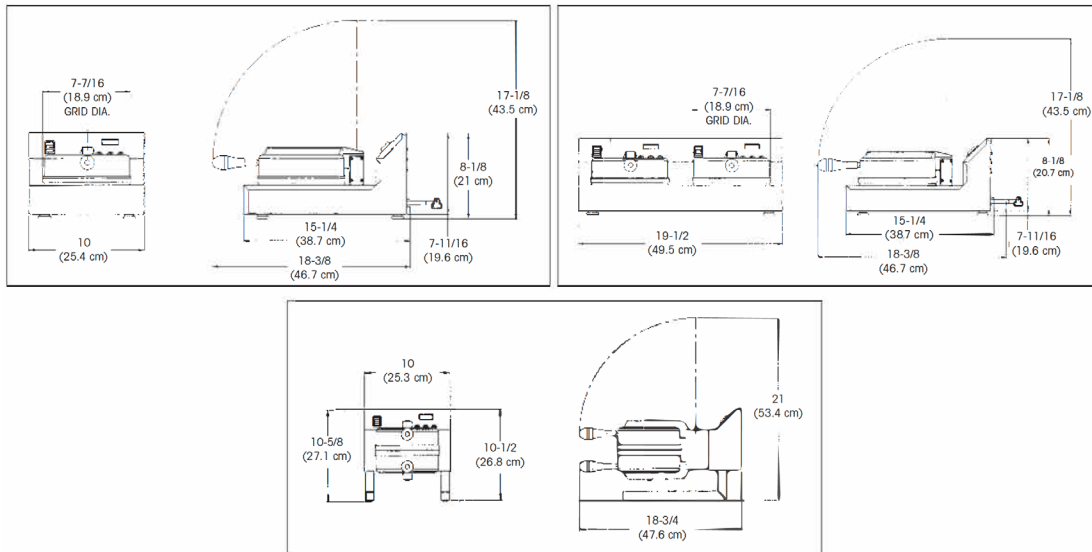
- Non-stick coating available on Waffle Baker and Belgian Waffle Baker
- Drip Tray for Belgian Waffle Baker

Digitally controlled, single and dual-grid Nemco Waffle Bakers let you serve crisp, golden brown waffles with convenience and ease. Our exclusive floating hinge allows the top grid to rise as the waffle bakes. Up to 20, 7" diameter waffles can be made per hour/grid. The waffle is ½" thick.

Nemco Belgian Waffle Bakers combine digitally controlled precision cooking with heavy-duty cast aluminum construction, and the grid rotation lets you easily serve consistently great tasting and uniform, crisp waffles. Up to 20, 7" diameter waffles can be made per hour. The waffle is 1¼" thick.



Waffle Bakers



Model #	Description	Size	Volts	Watts	Amps	Hz	Plug Configuration	Operating Temperature	Unit Weight	Shipping Weight
7000A 7000A-S	Single Waffle Baker Single Waffle Baker, SS	10" x 18 3/8" x 8 1/8"	120	890	7.4	60	NEMA 5-15P	250 - 410°	17 lbs	21 lbs
7000A-240 7000A-S240	Single Waffle Baker Single Waffle Baker, SS	10" x 18 3/8" x 8 1/8"	240	890	3.7	50/60	NEMA 6-15P	250 - 410°	17 lbs	21 lbs
7000A-2 7000A-2S	Dual Waffle Baker Dual Waffle Baker, SS	19 1/2" x 18 3/8" x 8 1/8"	120	1780	14.8	60	NEMA 5-15P	250 - 410°	32 lbs	38 lbs
7000A-2240 7000A-2S240	Dual Waffle Baker Dual Waffle Baker, SS	19 1/2" x 18 3/8" x 8 1/8"	240	1780	7.4	50/60	NEMA 6-15P	250 - 410°	32 lbs	38 lbs
7020A 7020A-S 7020A-1 7020A-1S	Belgian Waffle Baker, Removable Grids Belgian Waffle Baker, Removable Grids, SS Belgian Waffle Baker, Fixed Grids Belgian Waffle Baker, Fixed Grids, SS	10" x 18 3/4" x 10 1/2"	120	980	8.2	60	NEMA 5-15P	250 - 410°	19 1/2 lbs	26 lbs
7020A-208 7020A-S208 7020A-1208 7020A-1S208	Belgian Waffle Baker, Removable Grids Belgian Waffle Baker, Removable Grids, SS Belgian Waffle Baker, Fixed Grids Belgian Waffle Baker, Fixed Grids, SS	10" x 18 3/4" x 10 1/2"	208	980	4.7	60	NEMA 6-15P	250 - 410°	19 1/2 lbs	26 lbs
7020A-240 7020A-S240	Belgian Waffle Baker, Removable Grids Belgian Waffle Baker, Removable Grids, SS	10" x 18 3/4" x 10 1/2"	240	980	4.1	50/60	NEMA 6-15P	250 - 410°	19 1/2 lbs	26 lbs

*Height is with the top closed; Waffle Baker open = 17 1/2"; Belgian Waffle Baker open = 21"
 *SS = SilverStone

TYPICAL SPECIFICATIONS

Nemco Waffle Bakers shall be constructed with stainless steel and aluminum. They shall have uncoated aluminum grids or non-stick coated grids. All units shall have a full sheath ring heating element with a maximum temperature of 410°F, a programmable control board, with LED display, and a "CoolTouch" coiled spring handle. 120V models shall come with a NEMA 5-15P plug and the 208/240V models shall have a NEMA 6-15P plug attached to the 42" cords. All machines shall be cETLus and NFS listed.