

nemco[®]
powered by **ASEPT**



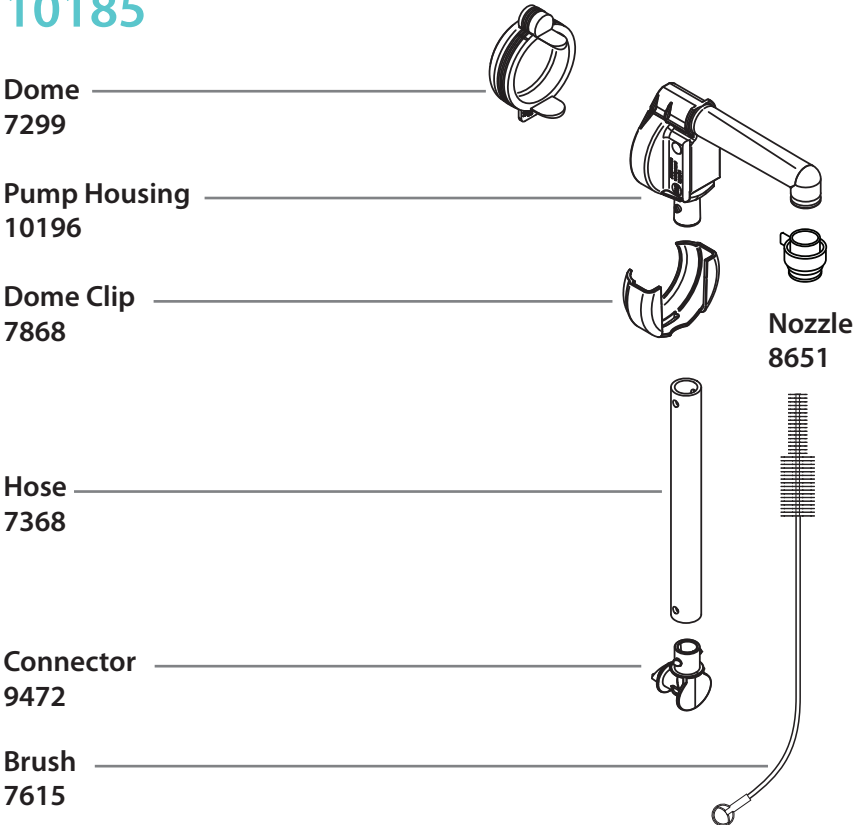
STAINLESS STEEL
DISPENSERS

User Manual

Stainless Steel Dispensers

	Model	Part #		Model	Part #
Single	SS6L-1	10961	Single Drop In	SS6L-1DI	10966
Double	SS6L-2	10962	Double Drop In	SS6L-2DI	10967
Triple	SS6L-3	10963	Triple Drop In	SS6L-3DI	10968
Quadruple	SS6L-4	10964	Quadruple Drop In	SS6L-4DI	10969
Quintuple	SS6L-5	10965	Quintuple Drop In	SS6L-5DI	10970

Complete Pump 10185



Designed for use with standard 1½ gallon pouched condiments and toppings.

Pumps attach to 16mm fittings in pouches.



Safety

All components must be cleaned before first use.



According to food and safety regulations, most foods must be stored and/or served at certain temperatures or they could become hazardous. Check with local food and safety regulators for specific guidelines. Be aware of the product you are serving and the temperature the product is required to maintain.

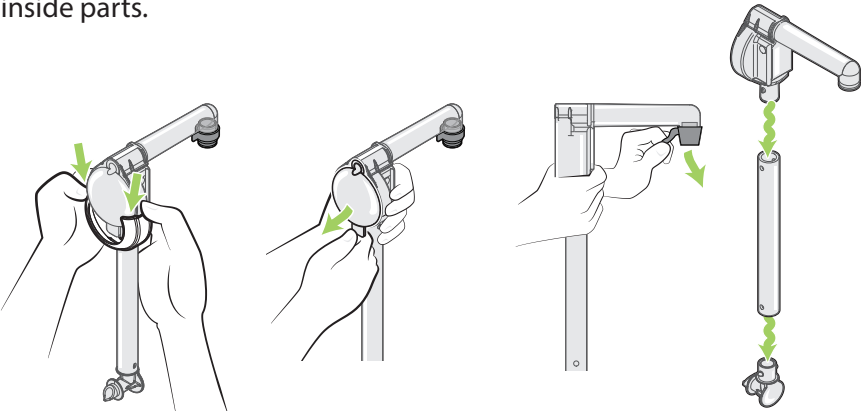
IMPORTANT Clean, rinse, sanitize, and dry parts at a minimum of every 24 hours. Always comply with local sanitization requirements.

Cleaning

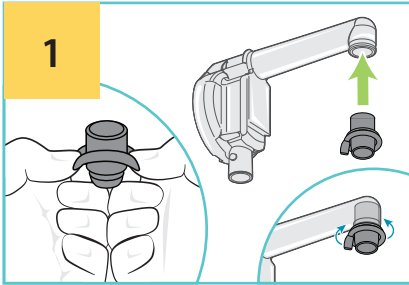
Disassemble all six (6) parts. Clean with soap and hot water, rinse, sanitize and dry parts according to local sanitization requirements. Use supplied brush to scrub inside parts.



All components are dishwasher safe.



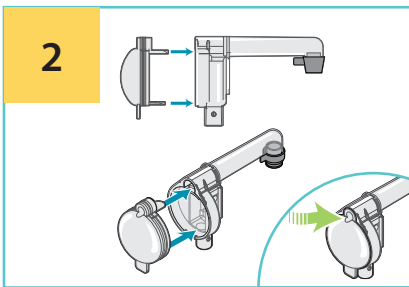
Assembly



Mount the nozzle

onto the end of the pump housing. Bend the outer portion of the nozzle inside out.

Insert into opening. Tab of nozzle faces towards housing. Flip the outer portion of the nozzle over the end of tube.

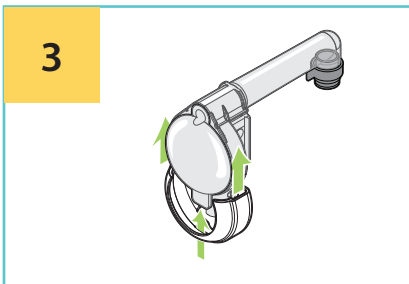


Insert dome

into the pump housing.

Ensure the flaps slide into place.

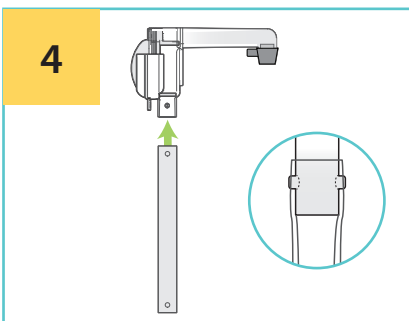
Press the entire dome firmly, including the top portion.



Insert the dome clip

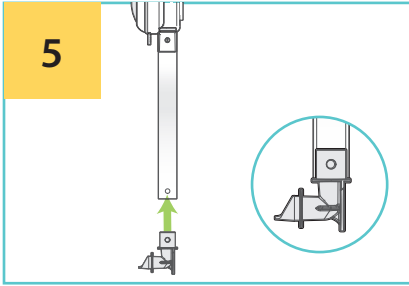
over the dome and pump housing.

Ensure that the tab on bottom of the dome slides into the opening in the dome clip.



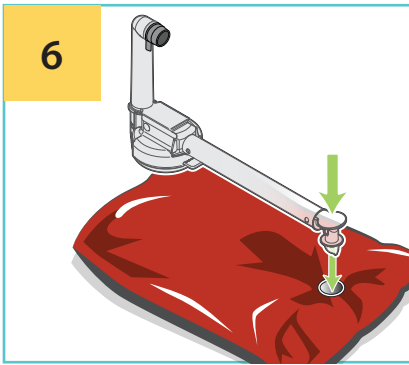
Attach hose to pump housing

Fit the holes in the hose over the pegs on the pump housing.



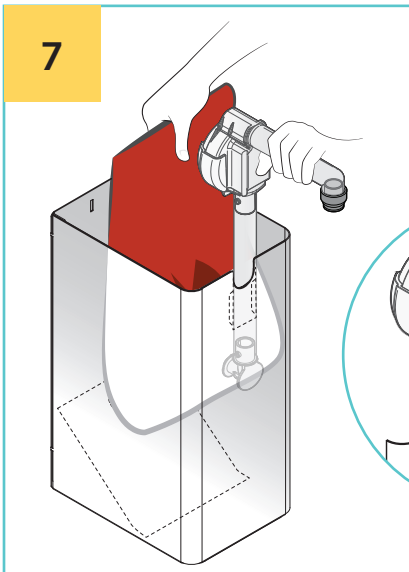
Attach connector to hose

Fit the bottom holes on hose over the pegs on the connector.
Piercing end of the connector must face away from pump housing.



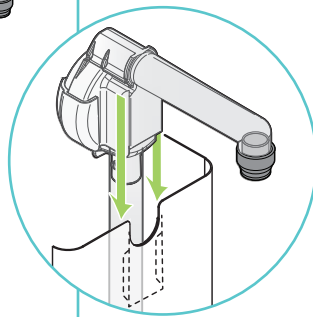
Connect pump to pouch

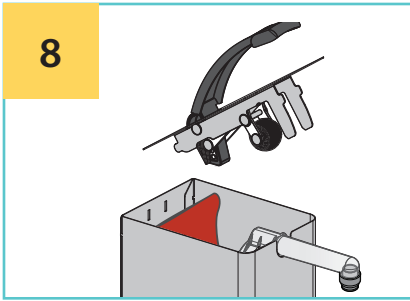
Put new pouch on countertop with fitment facing up. Place piercing end of connector in center of the fitment. Push firmly until pump snaps into place.



Insert pouch and pump

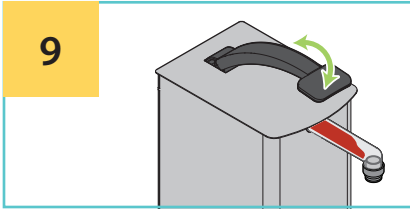
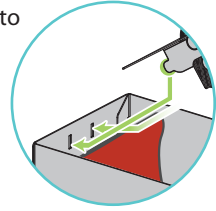
into the dispenser shroud. Hold end of pouch up while guiding the pump into the slots inside the front of dispenser.





Insert the lid

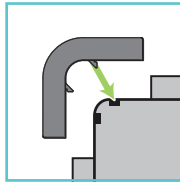
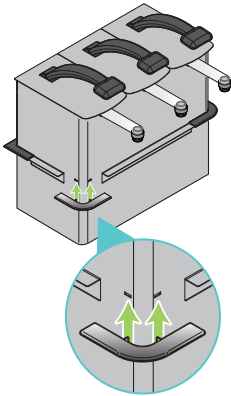
Hold the lever up while inserting lid tabs into slots in back of dispenser shroud.



Prime pump

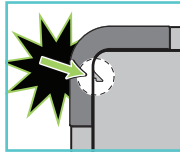
Press lever several times until food is visible in discharge tube.

Drop-In Dispensers



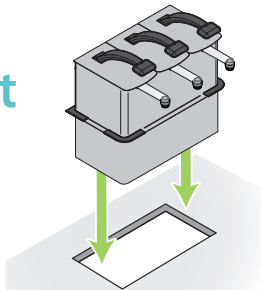
Add Corner Guards:

Hook first tab into slot.



Push firmly on second tab to **Snap** into place.

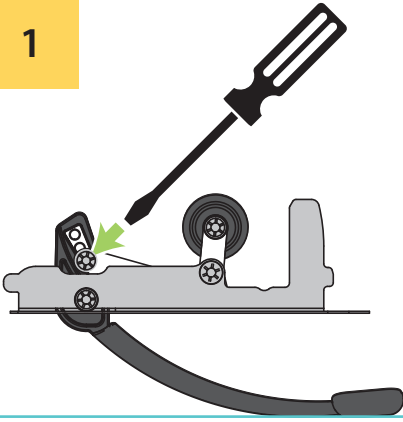
Dimensions for Cutout



	Width (inches)	Depth (inches)
Single	6 ³ / ₈	8 ½
Double	11	8 ½
Triple	16 ³ / ₈	8 ½
Quadruple	21 ¹³ / ₁₆	8 ½
Quintuple	27 ³ / ₁₆	8 ½

Setting the Portion

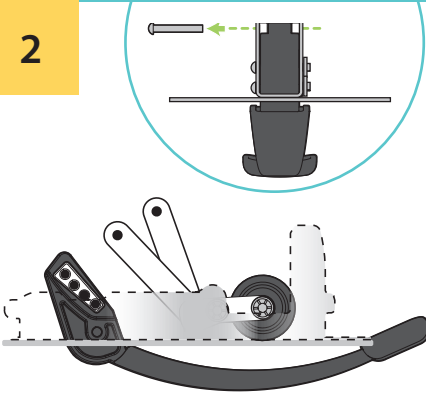
1



Remove locking washer

Use a flathead screwdriver to pry off the locking washer from the pin at the end of the link arms. Keep locking washer for step 4.

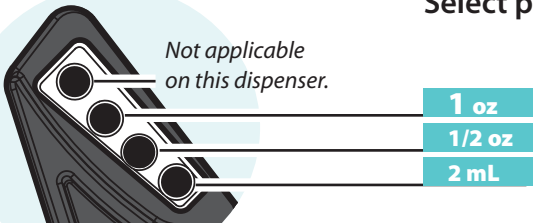
2



Remove pin

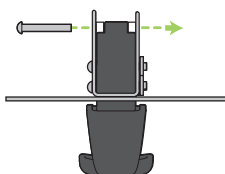
Slide the pin out from the pair of link arms and portion holes.

3



Select portion setting

4



Align holes on link arms

with hole for desired portion setting. Slide pin through all. Secure pin with locking washer.

Tips & Troubleshooting

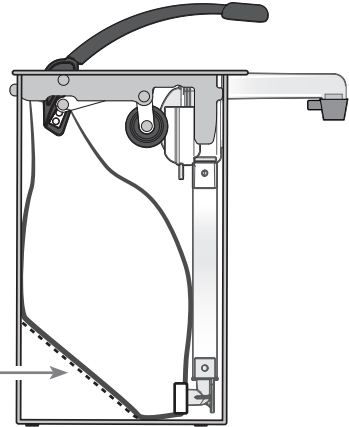
Prevent leaks:

Ensure that dome is pushed fully into pump housing.
Ensure that you hear a CLICK when attaching pump to pouch.

Pro Tip: Clean water may be used as lubrication when fitting hose onto pegs.

Optimize pouch evacuation:

Ensure ramp is in place.



ASEPT

Asept International Inc.

900 Oakmont Ln, Suite 207,
Westmont IL 60559, USA
+1 (630) 441-5656
info.us@asept.com

Asept International AB

Traktorvägen 17, SE-226 60
Lund, Sweden
+46 46 329 700
info@asept.com

www.asept.com

Available In the USA through:

nemco® | FOOD
EQUIPMENT

Nemco Food Equipment

P.O. Box 305
301 Meuse Argonne
Hicksville, OH 43526
800.782.6761

www.nemcofoodequip.com