

FEATURES

- High quality stainless steel exterior & interior
- Gravity cooling system
- Includes glass sneeze guard
- Fits 6 PCs of 1/3 size pan inserts (pans included)
- Dixell digital temperature controller



NTR-60

Model NTR-60

Refrigerated Topping Rail

TEMPERATURE

- Interior temperature range: 0°C to 12°C (32°F to 54°F)

WARRANTY

- 2 years parts and labour
7 years compressor warranty

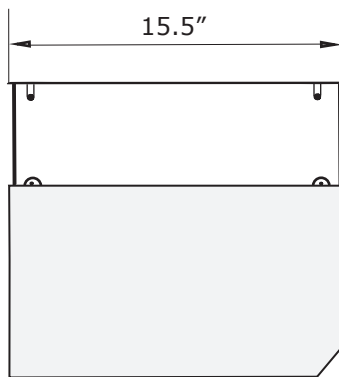
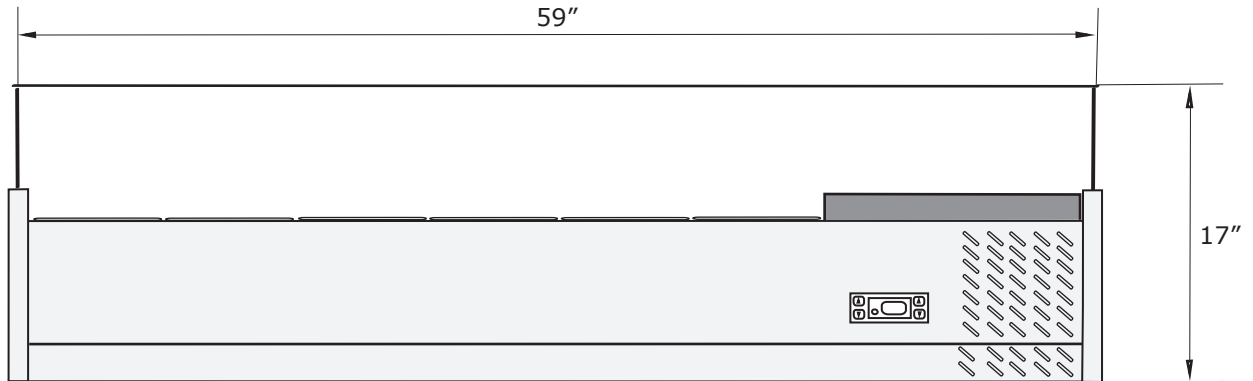
Project: _____

Date: _____

Price: _____

SPECIFICATIONS

Volts (V)	Watts (W)	Amps (A)	Volume (cu./ft)	Refrigerant	Overall Dimensions			Interior Dimensions			Weight	
					Width	Depth	Height	Width	Depth	Height	Net	Gross
115V	125W	1.1A	N/A	R290a	59	15.5	17	N/A	N/A	N/A	180 LBS	N/A



CERTIFICATIONS:

