

FEATURES

- High quality stainless steel exterior & interior
- Gravity cooling system
- Includes glass sneeze guard
- Fits 4 PCs of 1/3 size pan inserts (pans included)
- Dixell digital temperature controller



NTR-48

Model NTR-48

Refrigerated Topping Rail

TEMPERATURE

- Interior temperature range: 0°C to 12°C (32°F to 54°F)

WARRANTY

- 2 years parts and labour
7 years compressor warranty

Project: _____

Date: _____

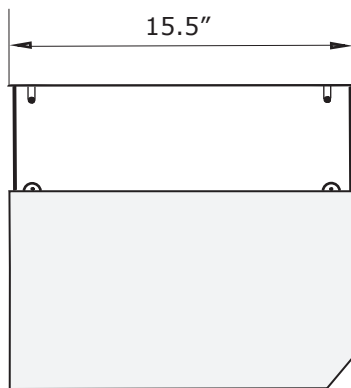
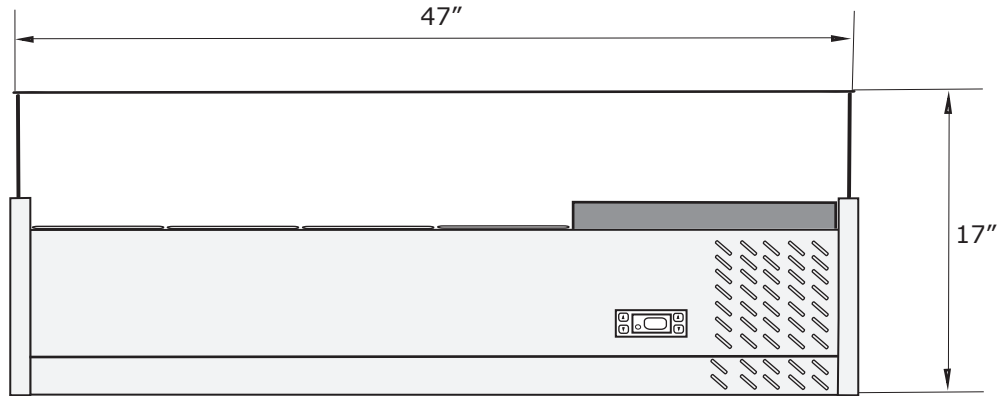
Price: _____

SPECIFICATIONS

Volts (V)	Watts (W)	Amps (A)	Volume (cu./ft)	Refrigerant	Overall Dimensions			Interior Dimensions			Weight	
					Width	Depth	Height	Width	Depth	Height	Net	Gross
115V	125W	1.1A	N/A	R600a	47	15.5	17	N/A	N/A	N/A	120 LBS	N/A

Refrigerated Topping Rail

Model NTR-48



CERTIFICATIONS:

