

## FEATURES

- Curved glass front with rear sliding access doors
- Self-evaporation water tray
- LED interior lighting
- Fits 6 PCs of 1/3 size pan inserts (pans included)
- Gravity cooling system to prevent food dehydration
- Digital temperature controller & defrost timer



NSU-60

## TEMPERATURE

- Interior temperature range: 0°C to 12°C (32°F to 54°F)

## WARRANTY

- 2 years parts and labour  
7 years compressor warranty

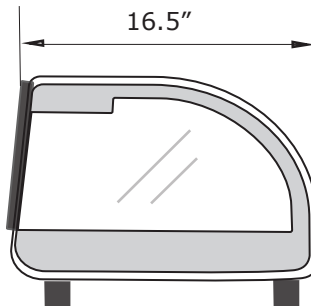
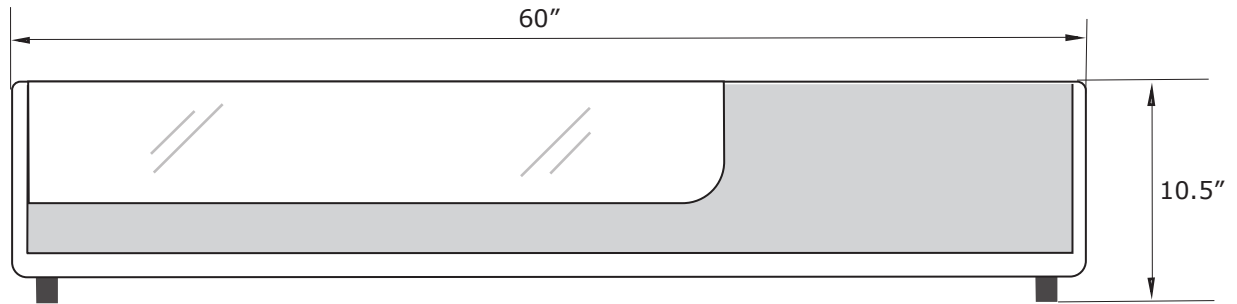
Project: \_\_\_\_\_

Date: \_\_\_\_\_

Price: \_\_\_\_\_

## SPECIFICATIONS

Volts (V)	Watts (W)	Amps (A)	Volume (cu./ft)	Refrigerant	Overall Dimensions			Interior Dimensions			Weight	
					Width	Depth	Height	Width	Depth	Height	Net	Gross
110V	190W	1.7A	2.2	R290	60	16.5	10.5	N/A	N/A	N/A	91 LBS	N/A



Refrigerated Sushi Showcase

Model NSU-60

CERTIFICATIONS:



NEMA 5-15P