

## FEATURES

- 304 stainless steel construction, including door
- Rounded corners to prevent injury
- Makes full cube shaped ice; 22mm x 22mm x 22mm
- Modular ice machine, separated from ice bin
- Includes ice bin
- Vertical water delivery system
- 500lbs of ice production every 24hrs
- 375lbs ice storage capacity
- Ice drops in sheets, must be broken apart
- Digital controller allows you to adjust ice thickness



NIM-500C



## WARRANTY

- 1 year parts and labour  
5 years compressor warranty

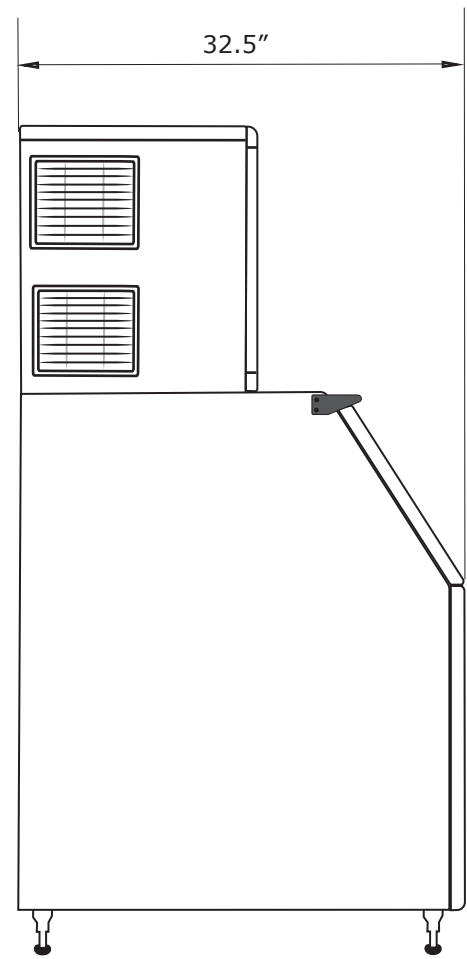
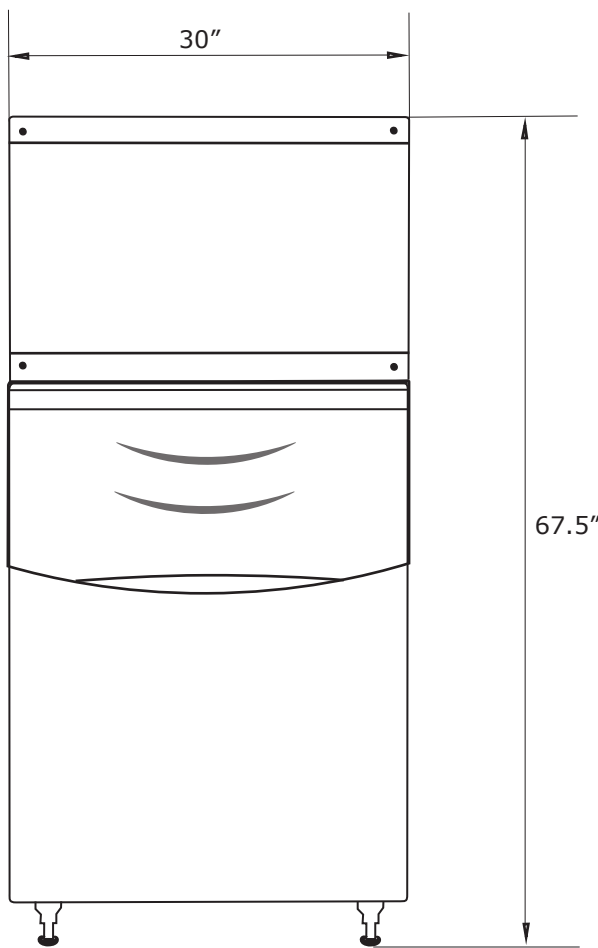
Project: \_\_\_\_\_

Date: \_\_\_\_\_

Price: \_\_\_\_\_

## SPECIFICATIONS

Volts (V)	Watts (W)	Amps (A)	Volume (cu./ft)	Refrigerant	Overall Dimensions			Interior Dimensions			Weight	
					Width	Depth	Height	Width	Depth	Height	Net	Gross
120V	1113W	9.2A	N/A	R290	30	32.5	67.5	N/A	N/A	N/A	264 LBS	350 LBS



Ice Machine - Cube Shaped Ice

Model NIM-500C

CERTIFICATIONS:

