

FEATURES

- 304 stainless steel construction, including door
- Rounded corners to prevent injury
- Makes full cube shaped ice; 22mm x 22mm x 22mm
- Modular ice machine, separated from ice bin
- 350lbs of ice production every 24hrs
- 110lbs ice storage capacity
- Includes ice bin
- Vertical water delivery system
- Digital controller allows you to adjust ice thickness



NIM-350CH

Model NIM-350CH

Ice Machine & Dispenser - Cube Shaped Ice

WARRANTY

- 1 year parts and labour
5 years compressor warranty

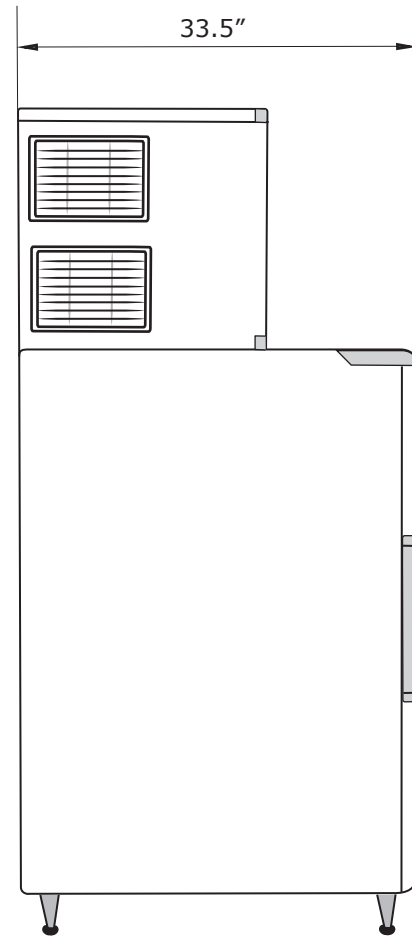
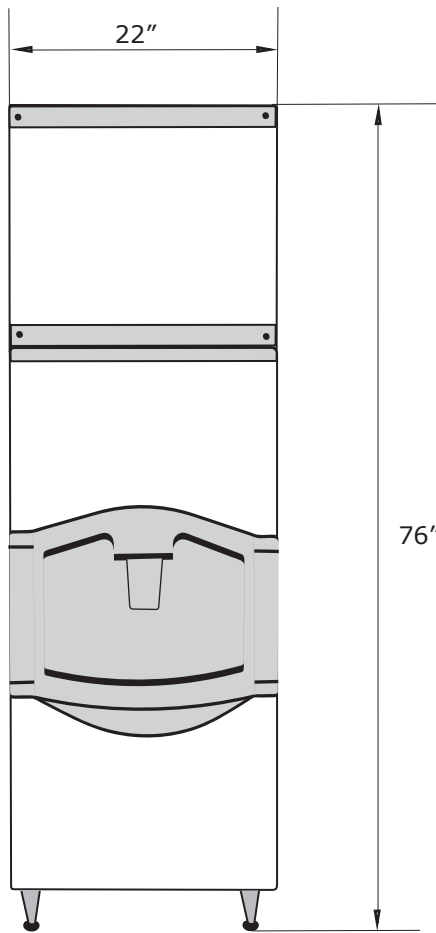
Project: _____

Date: _____

Price: _____

SPECIFICATIONS

Volts (V)	Watts (W)	Amps (A)	Volume (cu./ft)	Refrigerant	Overall Dimensions			Interior Dimensions			Weight	
					Width	Depth	Height	Width	Depth	Height	Net	Gross
120V	1000W	8.3A	N/A	R290	22	33.5	76	N/A	N/A	N/A	305 LBS	320 LBS



CERTIFICATIONS:



NEMA 5-15P