

FEATURES

- Four sided glass body with black framing & base
- Top mounted compressor for easy customer viewing
- Double layer glass on all sides
- Fan forced cooling system
- Self-evaporation water tray
- Locks on front & rear side to control customer access
- Interior LED lighting on all four corners
- Swing open front & rear door
- Includes 3 adjustable chrome plated shelves
- Digital temperature controller & defrost timer



NCSR-78

TEMPERATURE

- Interior temperature range: 0°C to 12°C (32°F to 54°F)

WARRANTY

- 1 years parts and labour
5 years compressor warranty

Project: _____

Date: _____

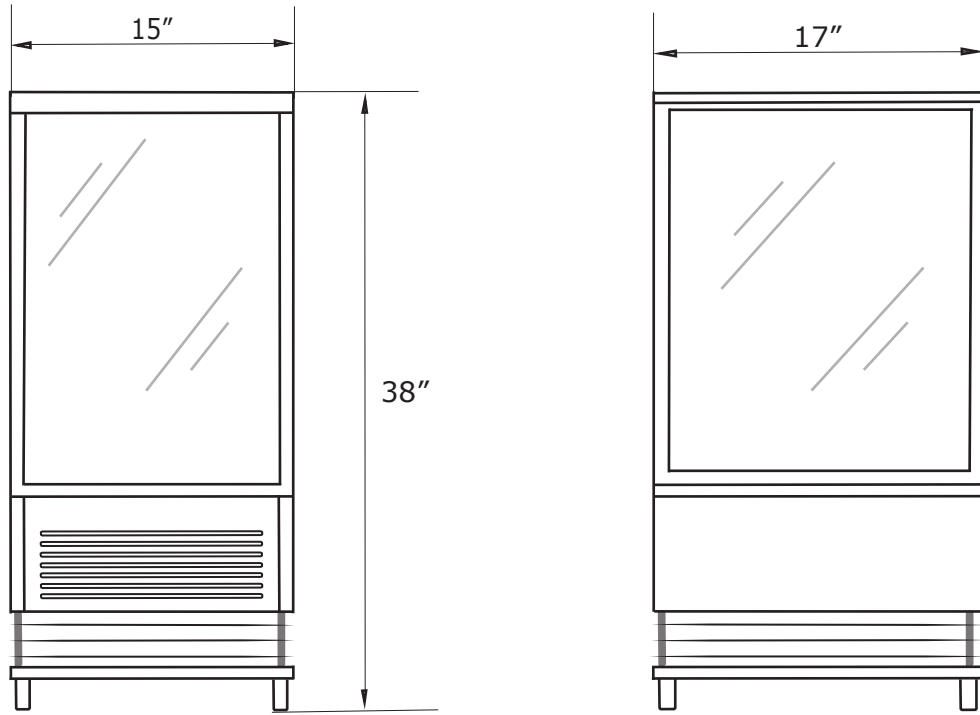
Price: _____

SPECIFICATIONS

Volts (V)	Watts (W)	Amps (A)	Volume (cu./ft)	Refrigerant	Overall Dimensions			Interior Dimensions			Weight	
					Width	Depth	Height	Width	Depth	Height	Net	Gross
115V	290W	2.5A	2.8	R290	17	15	38	N/A	N/A	N/A	74 LBS	N/A

Counter Top Display Refrigerator

Model NCSR-78



CERTIFICATIONS:

