

FEATURES

- Stainless steel frame and body
- Three sided glass display
- Side mounted compressor
- Triple layer glass on all sides
- Fan forced cooling system
- Self-evaporation water tray
- Interior LED lighting on all four corners
- Sliding rear doors for easy access
- Includes 2 adjustable chrome plated shelves
- Digital temperature controller & defrost timer



NCR-128

TEMPERATURE

- Interior temperature range: 0°C to 12°C (32°F to 54°F)



WARRANTY

- 2 years parts and labour
- 7 years compressor warranty

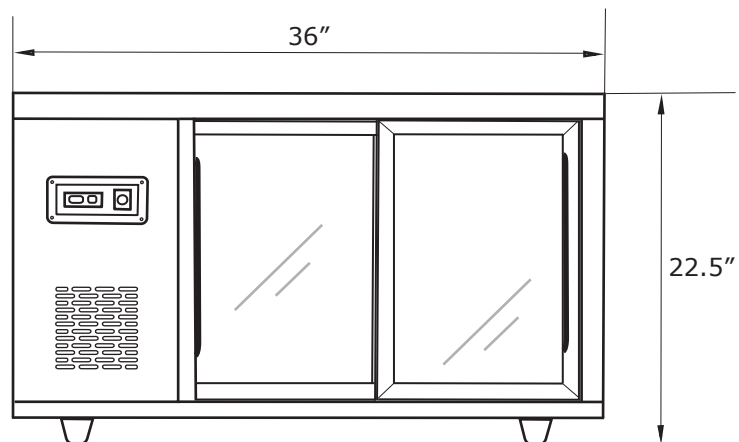
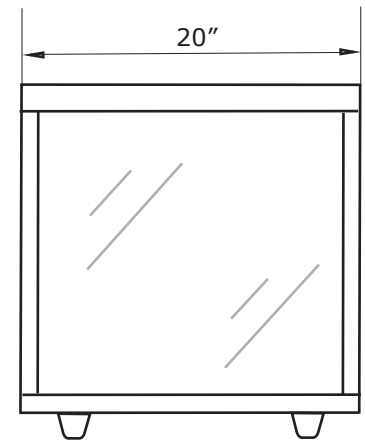
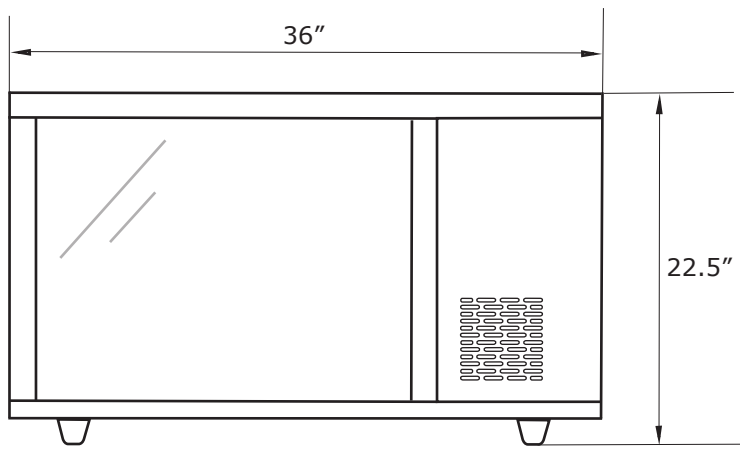
Project: _____

Date: _____

Price: _____

SPECIFICATIONS

Volts (V)	Watts (W)	Amps (A)	Volume (cu./ft)	Refrigerant	Overall Dimensions			Interior Dimensions			Weight	
					Width	Depth	Height	Width	Depth	Height	Net	Gross
115V	253W	2.2A	4.5	R290	36	20	22.5	N/A	N/A	N/A	128 LBS	N/A



Counter Top Display Refrigerator

Model NCR-128

CERTIFICATIONS:

