

Project #: _____

Item #: _____



Medium Duty Commercial Microwave Oven



Model 1217G1A

Features

- Large capacity (0.6 cu.ft / 17 L), accommodates a 12" (305 mm) platter.
- Able to withstand the demands of the Commercial Food Service environment with stainless steel cabinet and oven cavity.
- 1200 Watts of Cooking power.
- Top and Bottom Energy Feed.
- 11 power levels and 3 cooking stages for different cooking demands.
- 60:00 maximum cooking time and 100 auto programs can cover most product demands.
- Chef/Test Kitchen Support.
- User-friendly touch control pads with braille navigation is great for self-service locations and is ADA Compliant.
- Time entry option and X2 & X3 multiple quantity pad provide flexible operation.
- USB port for easy and consistent menu customization for multiple (chain) locations.
- Removable Splatter Shield and Stainless Steel Air Intake filter for easy cleaning.
- Oven cavity light to monitor cooking status without opening the door.
- EZ Grab'n Go door handle for reliable use, no moving parts.
- Stackable.

Applications

- + Chain Restaurants + Healthcare + Schools + Vending + Convenience Stores + Corrections and Marine

Project #: _____

Item #: _____



Model 1217G1A

Medium Duty Commercial Microwave Oven

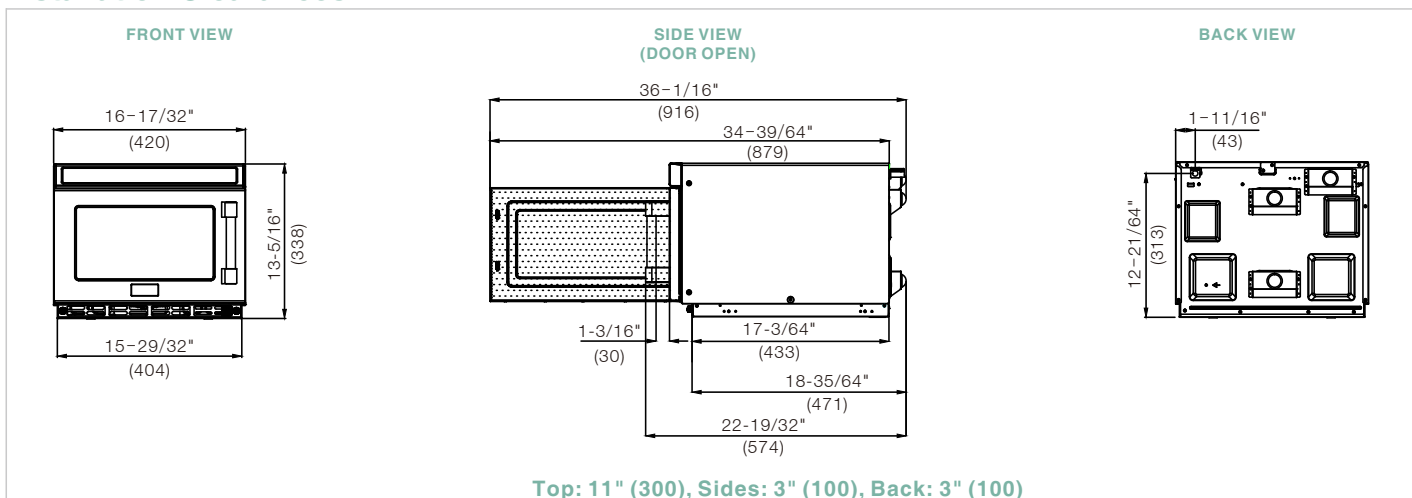
Medium duty commercial microwave from Midea shall have user-friendly touch pads with braille navigation. Oven shall be programmed up to 100 auto items with 60:00 maximum cooking time for each. Oven shall have 11 power levels and 3 cooking stages. There shall have time entry option and X2 & X3 multiple quantity pad provided flexible choice. Unit will have a USB port for easy and consistent menu customization for multiple (chain) locations. LED display and end of cycle beep. Microwave output shall be 1200 Watts distributed by dual magnetrons with a top and bottom rotating antennas. An interior light shall make the food easy to monitor without opening the door. Oven will be supplied with a Cleanable Stainless Steel Air Intake Filter and Ability to be stacked with the same style Oven. A Cleanable Ceiling Splatter Shield is Included. The Large capacity 0.6 cubic ft. (17 liter) cavity shall accommodate a 12" (305 mm) platter or 6" tall H or X pan with cover. Durable door shall have an EZ Grab and Go handle with a 90° + opening for easy access. Oven shall have a stainless steel exterior wrap, door, and interior cavity. Chef/Test Kitchen Support. Microwave oven shall be listed by UL, CUL and ETL SANITATION.

Specifications

Dimensions	
Cavity size	0.6 cu.ft (17 Liters)
Cavity Dimension(WxDxH)	330 mm x 310 mm x 175 mm (13" x 12 ¼" x 6 7/8")
Gross Dimension(WxDxH)	420 mm x 563 mm x 340 mm (16 ½" x 22 ½" x 13 ¾")
Inside Package Dimension(WxDxH)	640 mm x 507 mm x 416 mm (25 ¼" x 20" x 16 ¾")
Outer Package Dimension(WxDxH)	655 mm x 522 mm x 444 mm (25 ¾" x 20 ½" x 17 ½")
Ship Weight (approx)	32 kg (70.5 lb)
Product Weight	30 kg (66.1lb)
Door Depth	"36-1/16" (916), 90°+ door open"
Exterior Finish	Stainless steel
Interior Finish	Stainless steel
No Turnable	Yes
Interior Light	Yes, LED
Loading Capacity (20' / 40' / 40' HD)	185 / 380 / 456
Electrical specifications	
Power Consumption	2000 W
Power Output	1200 W
Power Source	120V, 60 Hz, 20 A single phase
Plug Configuration	NEMA 5-20P
Plug Cord	5 ft. (1.5m)
Plug Image	
Frequency	2450 MHZ

Technical specifications	
Filter Board	Yes
Settings Programmable	100
Power Levels	11
Stage Cooking	3
Control Type	Membrane Touch
Defrost by Time	Yes
Time Entry Option	Yes
Max. Cooking Time	00:60:00
Multiple Portion Setting	Yes, X3
Express cook	Yes
Cooking End Signal	Yes
Magnetron Protection	Yes
Magnetrons	2
Function type	Medium-duty
Microwave Distribution	Double rotating antenna, top and bottom
Braille	Yes
Stackable installation	YES, 2
Safety Listing	
Safety Listing	UL+CUL+FCC+ETL SANITATION

Installation Clearances



Warranty Service

3 Year Limited Warranty: 3 year Magnetron and 1 Year Parts, Labor and Travel/Shipping.

Support Center

Midea Food Service Equipment Service Support Center, 1-855-238-5604 or USService_Microwave@midea.com.

