



**Demand the best. Demand Dynamic.**

PROJECT

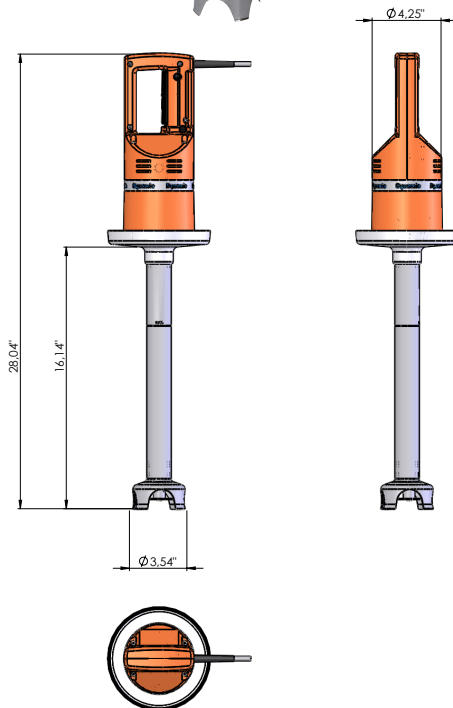
ITEM NUMBER

QUANTITY

**MX91**

**MASTER SERIES**

**IMMERSION BLENDERS**



**REFERENCE**

- MX005.1 (115V)
- MX005 (230V)
- MX005.1.V (115V) VARIABLE SPEED
- MX005.V (230V) VARIABLE SPEED

**DESCRIPTION**

THE DYNAMIC "CLASSIC" MX91 IMMERSION BLENDER WILL MIX, BLEND, PUREE OR EMULSIFY UP TO 15 GALLONS / 60 LITRES IN JUST A FEW MINUTES.

**FEATURES**

- 460 WATTS
- 9500 RPM
- 16" STAINLESS STEEL FOOT
- 7.5 LBS
- VARIABLE SPEED OPTION AVAILABLE
- TITANIUM PLATED CUTTER BLADE
- GOOD FOR UP TO 15 GALLONS / 60 LITRES OF MIXING
- 1 YEAR PARTS AND LABOR WARRANTY

**SHIPPING INFORMATION**

- SHIPPING WEIGHT: 9.3 LBS
- SHIPPING BOX DIMENSIONS
- LENGTH: 6.625" (168.28MM)
- WIDTH: 6.625" (168.28MM)
- HEIGHT: 29" (736.60MM)
- CUBIC MEASURE: 0.74FT<sup>3</sup> (0.021M<sup>3</sup>)

**WARRANTY POLICY**

Dynamic will guarantee all new Dynamic products to be free from defects in materials & workmanship. Electric products - Includes a 1 year parts and labor carry in bench warranty; with the exception of component replacements necessary through regular "wear & tear". Manual products include a 1 year limited parts warranty. Warranty is valid, providing the products have been used in accordance with Dynamic's operating recommendations & guidelines. Dynamic or any authorized service center will repair or replace, at our discretion and after examination, any or all manufacturer's defective parts during the warranty period. Any damage caused by improper use, abuse, dropping, or similar accidental damage resulting in breakage will render the warranty null and void. During the warranty period, only Dynamic or one of its authorized service centers may perform evaluations or repairs to products. Warranty will be void on any equipment which has been dismantled or tampered with during this warranty period if this has been done by unauthorized centers or personnel.



Phone (800) 267-7794 | Fax (877) 668-6623

info@dynamicmixers.com

www.dynamicmixersusa.com | www.dynamicmixers.ca