

FEATURES

- Stainless steel body & interior with aluminum back
- 3 stainless steel insulated doors
- Fan forced cooling system
- Self-evaporation water tray
- 3 heavy duty epoxy coated shelves (1 per door)
- Includes 8" deep sanitary cutting board
- Includes 4" heavy duty locking casters
- Space for 27 PCs of 1/6 size pan inserts (poly carbonate pans included)
- Self-closing swing doors with 90 degree stay open feature
- Digital temperature controller & defrost timer
- Heavy duty 3/4 HP Embraco compressor



MSPT-70-30

TEMPERATURE

- Interior temperature range: 0°C to 8°C (32°F to 46°F)

WARRANTY

- 2 years parts and labour
7 years compressor warranty
- Extended warranty options available

Project: _____

Date: _____

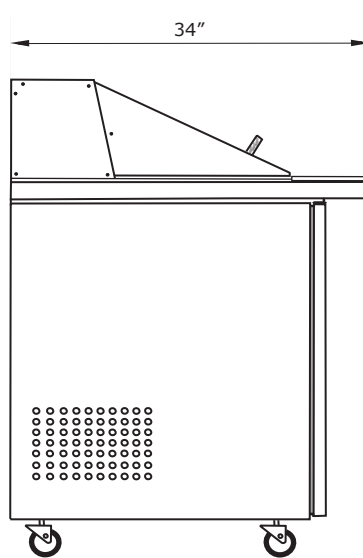
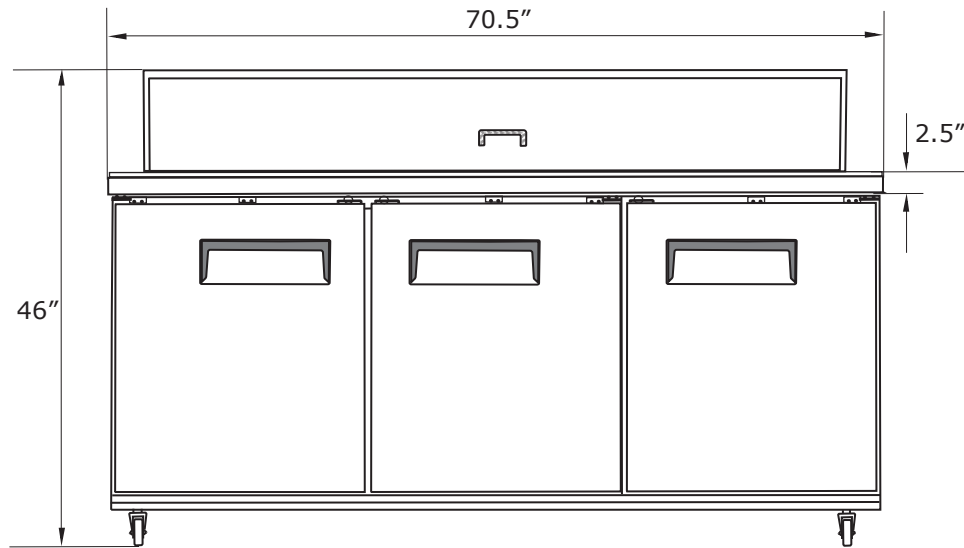
Price: _____

Model MSPT-70-30

Mega Top Refrigerated Sandwich Prep Table

SPECIFICATIONS

Volts (V)	Watts (W)	Amps (A)	Volume (cu./ft)	Refrigerant	Overall Dimensions			Interior Dimensions			Weight	
					Width	Depth	Height	Width	Depth	Height	Net	Gross
115V	1023W	8.9A	15.5	R290	70.5	34	46	N/A	N/A	N/A	394 LB	N/A



CERTIFICATIONS:



NEMA 5-15P