

FEATURES

- Stainless steel body & interior with aluminum back
- Stainless steel insulated doors
- Fan forced cooling system
- Self-evaporation water tray
- 2 heavy duty epoxy coated shelves (1 per door)
- Includes 8" deep sanitary cutting board
- Includes 4" heavy duty locking casters
- Space for 12 PCs of 1/6 size pan inserts (poly carbonate pans included)
- Self-closing swing doors with 90 degree stay open feature
- Digital temperature controller & defrost timer
- Heavy duty 1/5 HP Embraco compressor



MSPT-36-15

TEMPERATURE

- Interior temperature range: 0°C to 8°C (32°F to 46°F)

WARRANTY

- 2 years parts and labour
7 years compressor warranty
- Extended warranty options available

Project: _____

Date: _____

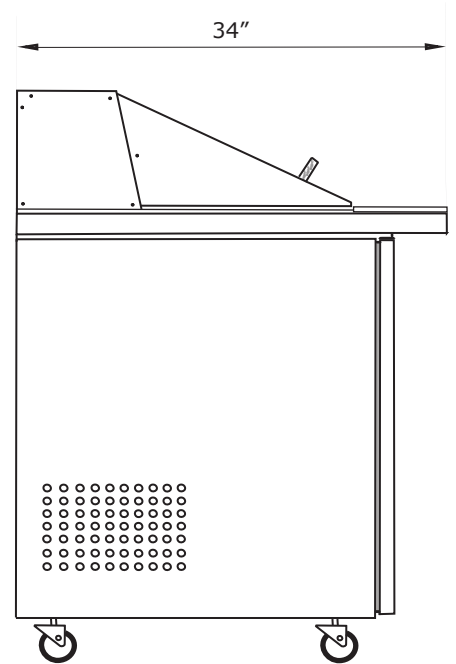
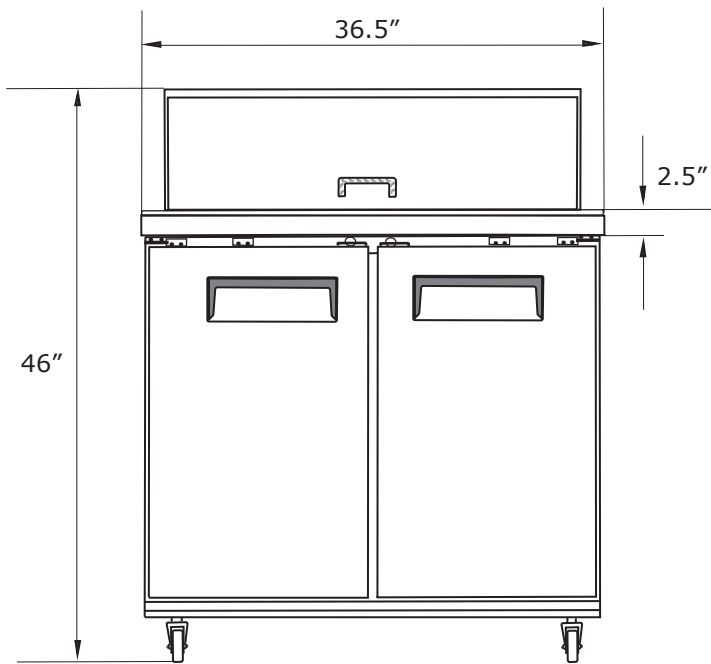
Price: _____

Model MSPT-36-15

Mega Top Refrigerated Sandwich Prep Table

SPECIFICATIONS

Volts (V)	Watts (W)	Amps (A)	Volume (cu./ft)	Refrigerant	Overall Dimensions			Interior Dimensions			Weight	
					Width	Depth	Height	Width	Depth	Height	Net	Gross
115V	368W	3.2A	7.6	R290	36.5	34	46	N/A	N/A	N/A	247 LB	N/A



Mega Top Refrigerated Sandwich Prep Table

Model MSPT-36-15

CERTIFICATIONS:



NEMA 5-15P