



KNB-72-3SG

STAINLESS STEEL BACK BARS

All-stainless steel construction, Heavy-duty refrigeration system that delivers reliable and efficient cold storage with superior quality.



KEY FEATURES

• **Strong & Durable Cabinet Finish**

Heavy duty stainless steel finished top.
Exterior: SS430 , Interior: SS445NF,
Door: Solid (urethane) + Pair glass

• **Insulated PE coated sturdy wire shelves**

• **High Density Polyurethane Insulation**

Foamed in place high density polyurethane insulation used throughout the cabinet

• **User Friendly Features**

Side mount compressor provides space-efficient front breathing system
Automatic evaporation & defrost system
Transparent glass door for clear product display
Cabinet design to accommodate for all types of cans and bottles
Sturdy and easy grip handles and Doors that open effortlessly
Magnetic door gasket provides ease of removal for cleaning or replacement

• **Efficient and Economical Work Space for Tight Work place**

• **Enhanced Airflow Hold Product Temperature 32°F~41°F (0°C~5°C)**

• **Modern Shaped Glass Door**

Energy saving LED lights
Transparent glass door for excellent product display

• **Available with 3", 4" or 5" diameter casters (Optional)**



INDUSTRY'S FIRST 40/80 WARRANTY

40 months parts and labor / 80 months on compressor (part only)



3560 NW 56th Street
Fort Lauderdale, FL, United States
Telephone: 786.600.4687 / Toll Free: 844.218.8477
Fax: 786.661.4100

5659 Royalmount Ave.
Montreal, QC, Canada H4P 2P9
Telephone: 514.737.9701 / Toll Free: 888.275.4538
Fax: 514.342.3854 / Toll Free: 877.453.8832
sales@mvpgroupcorp.com / mvpgroupcorp.com

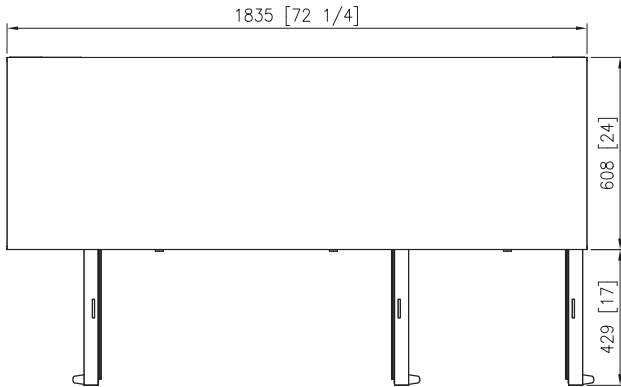


KNB-72-3SG

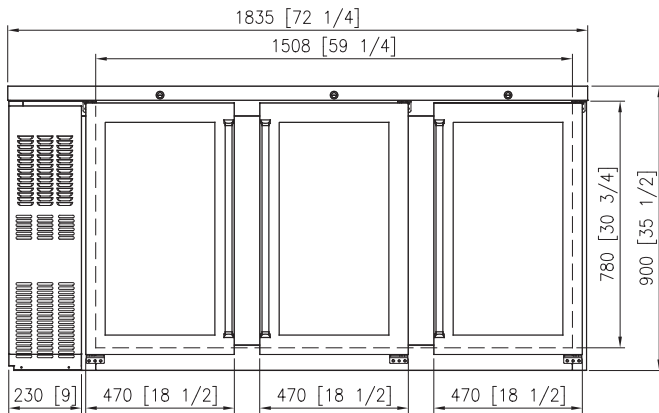
STAINLESS STEEL BACK BARS

PRODUCT VIEWS

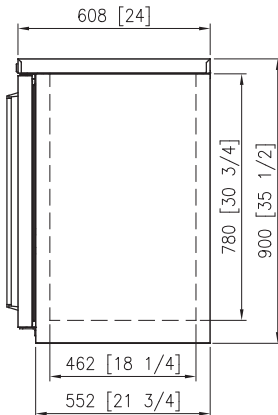
TOP



FRONT



SIDE



* External dimensions do not include caster height - casters are optional

TECHNICAL SPECIFICATIONS

Exterior Dimensions		Interior Dimensions	
W:	72 1/4" (1835 mm)	W:	59 1/4" (1505 mm)
D:	23 7/8" (608 mm)	D:	18 1/4" (464 mm)
H:	35 3/8" (900 mm)	H:	30 3/4" (781mm)
Interior Capacity		Can	Bottle
19.6 Cu Ft 555 L		1,218	588
Doors	Material	Shelves	
3 Swing Doors	Glass	6	
Exterior Material		Stainless Steel	
Interior Material		Stainless Steel	
Illumination		LED	

REFRIGERATION PERFORMANCE

Refrigerant	R290
Compressor Power	3/8 HP
Thermostat default setting	32°F~41°F (0°C~5°C)

ELECTRICAL

Power Supply	Amps
115V/60Hz	3.5 A
Plug Type	NEMA 5-15P

LOGISTICS

Unit Weight	Shipping Dimensions	
262 lb (119 kg)	W:	76 1/2" (1943 mm)
Shipping Weight	D:	28 3/4" (730 mm)
284 lb (129 kg)	H:	41" (1041 mm)