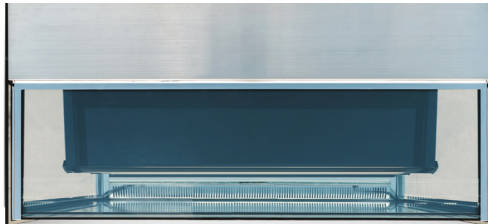


Flat Glass Display Case KBF Series



| | |
|---------------|------|
| Project Name: | |
| Location: | |
| Item: | Qty: |
| Model: | |



Nema 5-15P
Dedicated
Circuit



5659 Royalmount Ave.
Montreal, QC, Canada H4P 2P9
Telephone: 514.737.9701 / Toll Free: 888.275.4538
Fax: 514.342.3854 / Toll Free: 877.453.8832
sales@mvpgroupcorp.com / mvpgroupcorp.com

Miami, FL, United States
Telephone: 786.600.4687 / Toll Free: 844.218.8477
Fax: 786.661.4100

REFRIGERATED AND DRY FLAT GLASS DISPLAY CASES



Durable Design

- Forced air, self-contained refrigerated merchandiser (for the refrigerated cases only)
- Modern design for merchandising beverages, cheese, sandwiches and much more
- Exterior tempered safety glass
- 2 Removable rear sliding glass doors
- Designed for mobility, reliability & efficiency in commercial kitchens
- (2) Height Adjustable shelves
- Slide out condensing unit for easy maintenance
- Four (4) casters
- Simple plug-in installation



Energy Efficiency

- Digital temperature readout display with electronic thermostatic control
- Double layer glass for front and sides with the film heaters inside of the glass.
(for the dry cases: double layer glass but without heaters.)
- LED lighting at top & under shelves
- Automatic defrost system
- Case holds 36°F - 41°F



Superior Quality

- Stainless steel lower body panels
- Solid body construction
- Certified to ETL safety and sanitation standards
- CFC-free refrigerant with R-134a gas.



| MODEL NUMBER | CAPACITY (cubic feet) | EXTERNAL DIMS W x D x H | VOLTAGE | AMPS | COMPRESSOR | SHIPPING DIMENSIONS W x D x H | SHIP WEIGHT (LBS) |
|--------------|--------------------------|----------------------------|----------|------|------------|----------------------------------|----------------------|
| KBF-36 | 10 | 35.4" x 27" x 47" | 110/60/1 | 8.0 | 1/3 | 38.9" x 29.5" x 51.2" | 463 |
| KBF-48 | 13.7 | 47.2" x 27 x 47" | 110/60/1 | 9.0 | 1/3 | 50.8" x 29.5" x 51.2" | 562 |
| KBF-60 | 17.6 | 59" x 27" x 47" | 110/60/1 | 10.0 | 1/2 | 62.6" x 29.5" x 51.2" | 661 |
| KBF-72 | 21.5 | 70.8 x 27 x 47 | 110/60/1 | 12.0 | 2/3 | 74.4" x 29.5" x 51.2" | 749 |
| KBF-36D | 10 | 35.4" x 27" x 47" | 110/60/1 | 0.31 | N/A | 38.9" x 29.5" x 51.2" | 364 |
| KBF-48D | 13.7 | 48" x 27 x 47" | 110/60/1 | 0.35 | N/A | 50.8" x 29.5" x 51.2" | 451 |
| KBF-60D | 17.6 | 59" x 27" x 47" | 110/60/1 | 0.62 | N/A | 62.6" x 29.5" x 51.2" | 529 |
| KBF-72D | 21.5 | 70.8 x 27 x 47 | 110/60/1 | 0.66 | N/A | 74.4" x 29.5" x 51.2" | 584 |

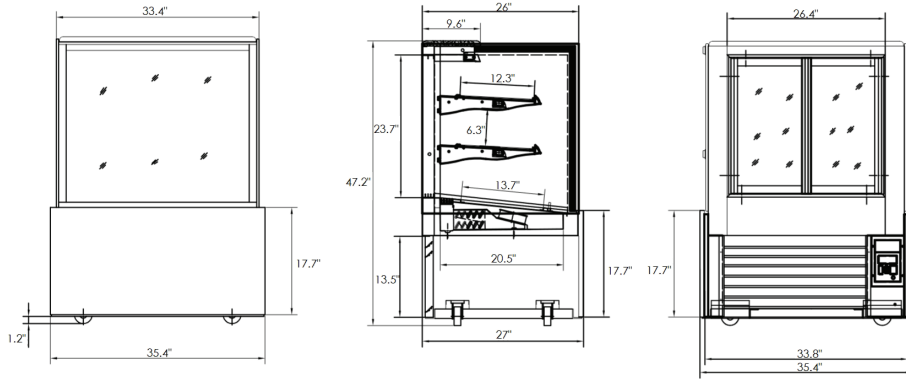
The refrigerated KBF series cases are engineered to operate in locations not exceeding 80°F and 55% relative humidity.



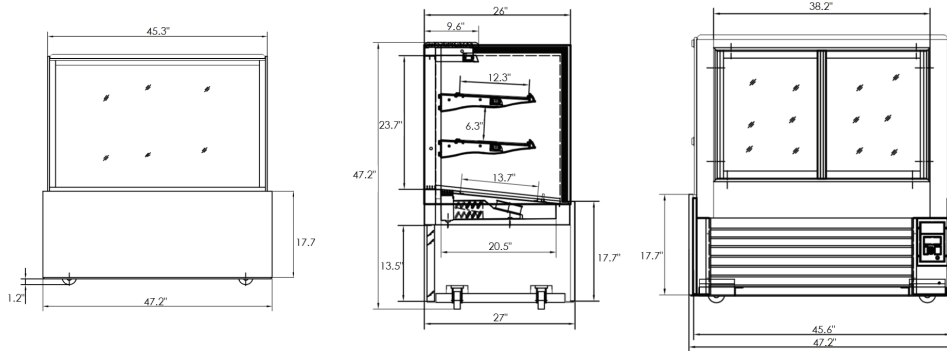
5659 Royalmount Ave.
 Montreal, QC, Canada H4P 2P9
 Telephone: 514.737.9701 / Toll Free: 888.275.4538
 Fax: 514.342.3854 / Toll Free: 877.453.8832
 sales@mvpgroupcorp.com / mvpgroupcorp.com

Miami, FL, United States
 Telephone: 786.600.4687 / Toll Free: 844.218.8477
 Fax: 786.661.4100

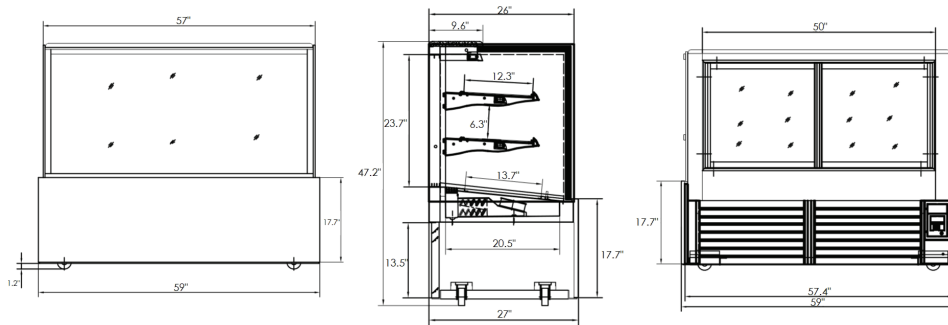
REFRIGERATED AND DRY FLAT GLASS DISPLAY CASES



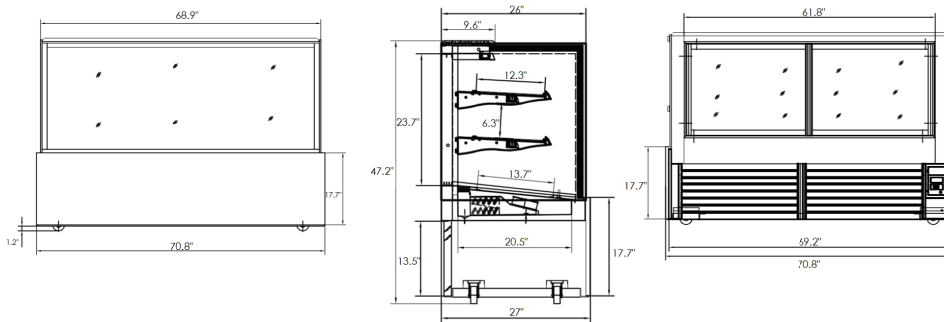
KBF-36 / KBF-36D



KBF-48 / KBF-48D



KBF-60 / KBF-60D



KBF-72 / KBF-72D

Warranty: 12 months parts and labor.
Additional 48 months on compressor (part only)

KOOL-IT is a registered trademark of MVP Group.
Specifications subject to change without notice.



5659 Royalmount Ave.
Montreal, QC, Canada H4P 2P9
Telephone: 514.737.9701 / Toll Free: 888.275.4538
Fax: 514.342.3854 / Toll Free: 877.453.8832
sales@mvpgroupcorp.com / mvpgroupcorp.com

Miami, FL, United States
Telephone: 786.600.4687 / Toll Free: 844.218.8477
Fax: 786.661.4100

CORNER REFRIGERATED AND DRY DISPLAY CASE



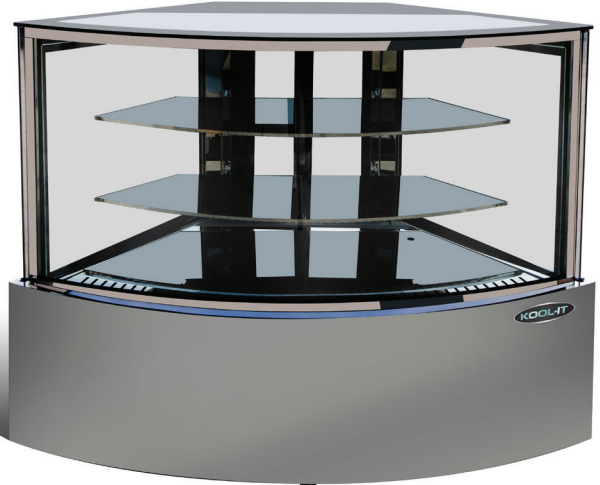
Durabile Design

- Forced air, self-contained refrigerated merchandiser (for the refrigerated cases only)
- Modern design for merchandising beverages, cheese, sandwiches and much more
- Exterior tempered safety glass
- 2 Removable rear sliding glass doors
- Designed for mobility, reliability & efficiency in commercial kitchens
- (2) Height Adjustable shelves
- Slide out condensing unit for easy maintenance
- Four (4) casters
- Simple plug-in installation



Energy Efficiency

- Digital temperature readout display with electronic thermostatic control
- Double layer glass for front and sides with the film heaters inside of the glass.
(for the dry cases: double layer glass but without heaters.)
- LED lighting at top & under shelves
- Automatic defrost system
- Case holds 36°F - 41°F

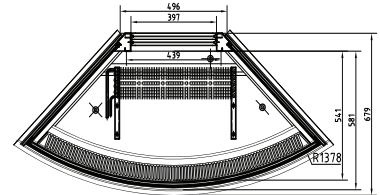
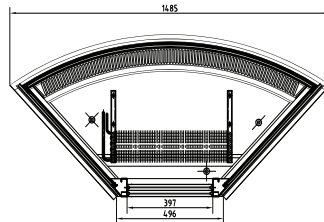
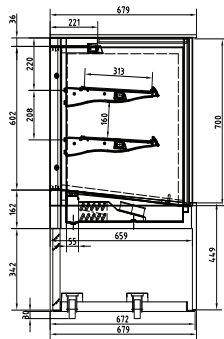
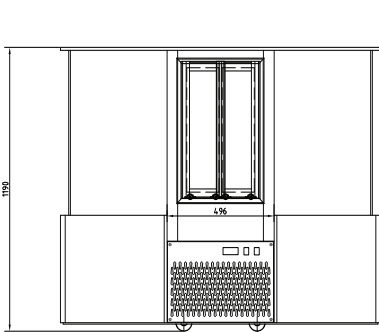


Superior Quality

- Stainless steel lower body panels
- Solid body construction
- Certified to ETL safety and sanitation standards
- CFC-free refrigerant with R-134a gas.



| MODEL NUMBER | CAPACITY (cubic feet) | EXTERNAL DIMS W x D x H | VOLTAGE | AMPS | COMPRESSOR | SHIPPING DIMENSIONS W x D x H | SHIP WEIGHT (LBS) |
|--------------|-----------------------|-------------------------|----------|------|------------|-------------------------------|-------------------|
| KBF-60C | 15.9 | 59" x 26.7" x 47" | 110/60/1 | 4.50 | 1/3 HP | 65" x 32.3" x 53" | 672 |
| KBF-60CD | 15.9 | 59" x 26.7" x 47" | 110/60/1 | 0.62 | N/A | 65" x 32.3" x 53" | 570 |



5659 Royalmount Ave.
 Montreal, QC, Canada H4P 2P9
 Telephone: 514.737.9701 / Toll Free: 888.275.4538
 Fax: 514.342.3854 / Toll Free: 877.453.8832
 sales@mvpgroupcorp.com / mvpgroupcorp.com

Miami, FL, United States
 Telephone: 786.600.4687 / Toll Free: 844.218.8477
 Fax: 786.661.4100