

## FEATURES

- Black steel body with insulated & lockable doors
- Stainless steel interior & work top
- Fan forced cooling system
- Interior LED lighting
- Self-evaporation water tray
- Side mounted compressor & condensing unit
- 2 dispensing towers with 2 taps each (4 taps total)
- Capacity: 2 x 1/2 barrels
- Includes adjustable feet and 4" casters
- Removable installation board for easy cleaning & service
- Dixell digital temperature controller
- Heavy duty 1/5 HP Embraco compressor



KGR-24-61

## TEMPERATURE

- Interior temperature range: 0°C to 8°C (32°F to 46°F)

## WARRANTY

- 2 years parts and labour  
7 years compressor warranty
- Extended warranty options available

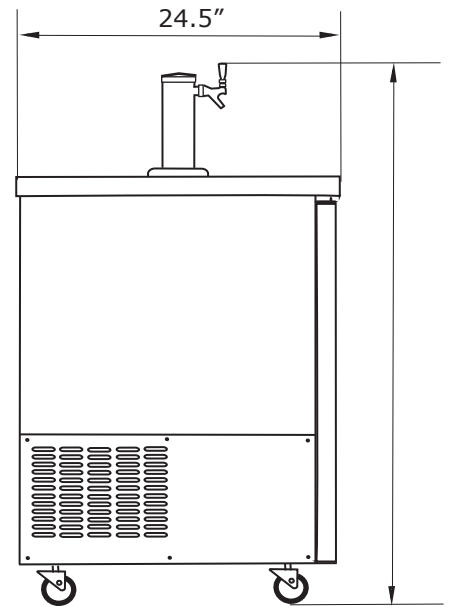
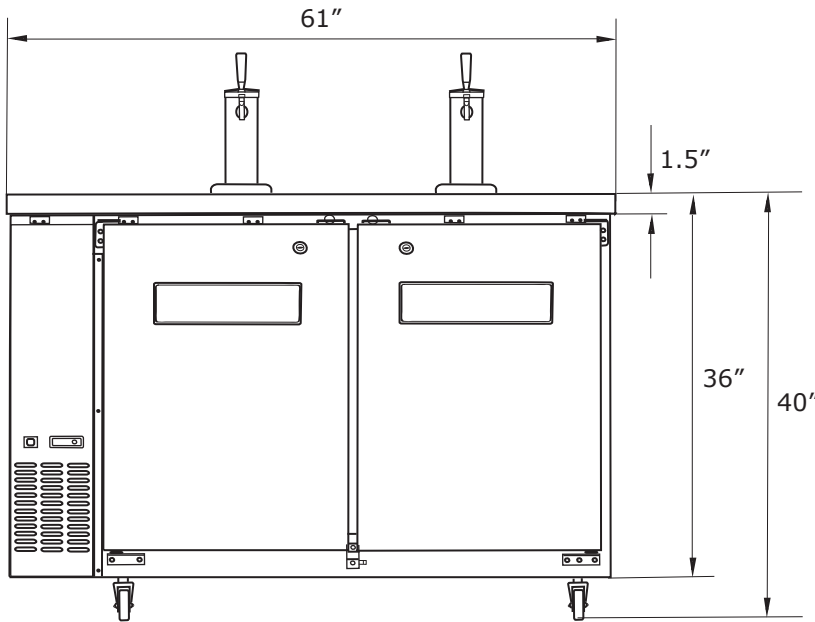
Project: \_\_\_\_\_

Date: \_\_\_\_\_

Price: \_\_\_\_\_

## SPECIFICATIONS

Volts (V)	Watts (W)	Amps (A)	Volume (cu./ft)	Refrigerant	Overall Dimensions			Interior Dimensions			Weight	
					Width	Depth	Height	Width	Depth	Height	Net	Gross
115V	345W	3A	15.8	R290	61	24.5	40	N/A	N/A	N/A	380 LB	N/A



Keg Beer Dispensing Cooler

Model KGR-24-61

CERTIFICATIONS:

