

ICB Twin, 120/240V SST Tall

35.0" x 22.3" x 20.0"
(88.9cm x 56.6cm x 50.8cm)



 SERVERS SOLD SEPERATELY

- Sleek modernized design language, with rounded angles on the corners and trunk
- Brews into 3.8 and 5.7L (1 to 1.5 gallon) Thermofresh Servers (with base)
- Digital readout displays in English, Spanish, or French ---for easier programming and control--- and can show either 'Standard' or Metric measurements. Digital readout also shows machine status, and targeted advertising messages can be programmed for display.
- Large 5.6 gallon (21.2L) tank provides back-to-back brewing capacity
- BUNN Infusion Series technology allows for multiple recipes from one footprint --- with three brew buttons and two batch sizes
- Energy-saver mode reduces tank temperature during idle periods
- Exclusive Peak Extraction™ Sprayhead is multi-directional with a 17-hole design to ensure ultimate uniformity of extraction
- Electronic funnel lock prevents removal of each brew funnel until drip- through is complete
- USB programming capable
- Brew counter keeps track of how many batches are brewed
- Pre-infusion and pulse brew for maximum flavor extraction. Cold brew lockout & digital temperature control further ensure top-notch brewing.
- Hot water faucet (supplied for custom installation)

Agency:



Specifications

Product #: 53200.0101

Water Access: Plumbed

Interface: Wireless

Funnel: Black Plastic

Additional Features

Electrical & Capacity

Volts	Amps	Watts	Cord Attached	Plug Type	8oz cups/hr 236ml cups/hr	Input H ² O Temp.	Phase	# Wires plus Ground	Hertz
120/240	25	6000	Yes/	-	280	60°F (15.5°C)	1	3	60

Plumbing Requirements

PSI	kPa	Fitting Supplied	Water Flow Required (GPM)
20-90	138-621	3/8" Male Flare Fitting	1.00

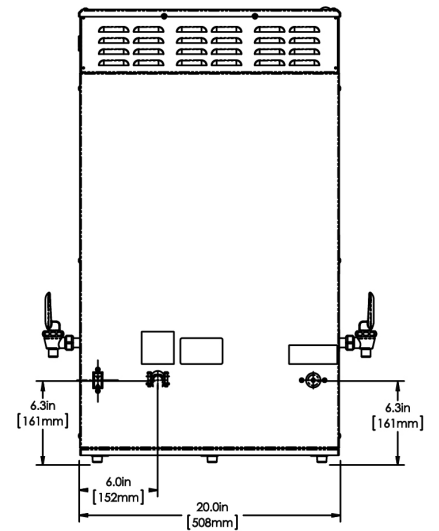
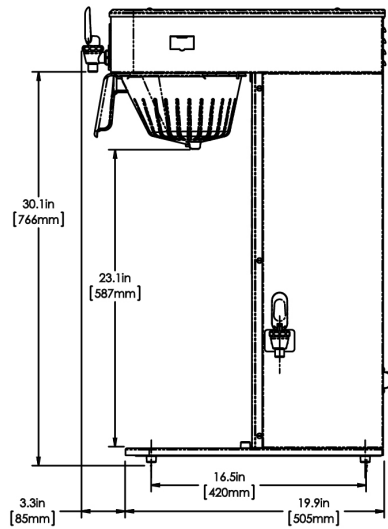
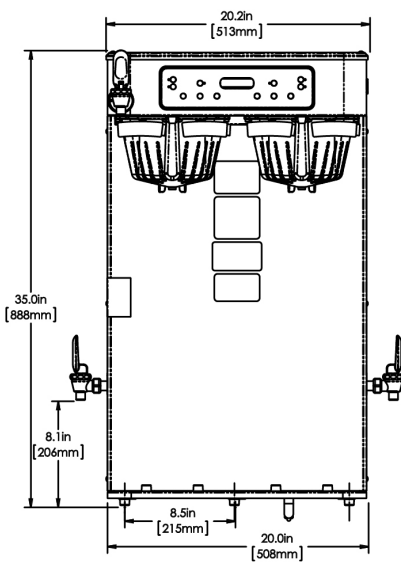
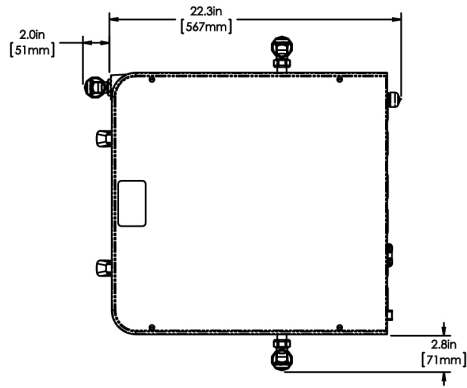
CAD Drawings

2D	Revit	KLC



BUNN® reserves the right to change specifications and product design without notice. Such revisions do not entitle the buyer to corresponding changes, improvements, additions or replacements for previously purchased equipment. For most current specifications and other info visit bunn.com.

Created on:
11/16/2018



Unit			Shipping					
	Width	Height	Depth	Width	Height	Depth	Weight	Volume
English	20.0 in.	35.0 in.	22.3 in.	20.2 in.	35.1 in.	21.4 in.	78.460 lbs	8.786 ft ³
Metric	50.8 cm	88.9 cm	56.6 cm	51.4 cm	89.1 cm	54.4 cm	35.589 kgs	0.249 m ³



BUNN® reserves the right to change specifications and product design without notice. Such revisions do not entitle the buyer to corresponding changes, improvements, additions or replacements for previously purchased equipment. For most current specifications and other info visit bunn.com.

Created on:
11/16/2018

Related Products & Accessories: ICB Twin, 120/240V SST Tall(53200.0101)



FILTERS, GOURMET 500
500/1 50/CL

Product #: 20138.1000



WATER FILTER,
EQHP-10L

Product #: 39000.0001



WATER FILTER,
EQHP-10

Product #: 39000.0004



STAND ASSY, TF
SERVER

Product #: 39795.0003



BUNN® reserves the right to change specifications and product design without notice. Such revisions do not entitle the buyer to corresponding changes, improvements, additions or replacements for previously purchased equipment. For most current specifications and other info visit bunn.com.

Created on:
11/16/2018

Serving & Holding Options: ICB Twin, 120/240V SST Tall(53200.0101)



TF SERVER, DSG2
1G/3.8L

Product #:42700.0000



TF SERVER, DSG2
1G/3.8L BLK

Product #:42700.0001



TF SERVER, DSG2 1G
CD

Product #:42700.0003



TF SERVER, DSG2 1G
BLK CD

Product #:42700.0004



TF SERVER, DSG2 1.5G
SST

Product #:42750.0000



TF SERVER, DSG2 1.5G
BLK

Product #:42750.0001



TF SERVER, DSG2 1.5G
CD

Product #:42750.0003



TF SERVER, DSG2 1.5G
BLK CD

Product #:42750.0010



TF SERVER, 1G/3.8L
MECH

Product #:44000.0000



TF SERVER, 1G/3.8L
MECH BLK

Product #:44000.0001



TF SERVER, 1.5G/5.7L
MECH

Product #:44050.0000



TF SERVER, 1.5G/5.7L
MECH BLK

Product #:44050.0001



BUNN® reserves the right to change specifications and product design without notice. Such revisions do not entitle the buyer to corresponding changes, improvements, additions or replacements for previously purchased equipment. For most current specifications and other info visit bunn.com.

Created on:
11/16/2018