



REFRIGERATED REAR STORAGE

## MODELS

KPM-CG-(60, 80, 100)-S

KPM-CG-(60, 80, 100)-R

## CURVED GLASS DELI CASE DESIGNED FOR DELI PRODUCTS AND PACKAGED MEAT

CASE HOLDS 33°F TO 40°F • FORCED AIR REFRIGERATION • TEMPERED TILT-OUT CURVED FRONT GLASS  
TEMPERED SIDE GLASS AND REAR DOORS • REFRIGERATED REAR STORAGE  
CASES CAN BE MULTIPLEXED



Intertek



Intertek



AUTODESK®  
REVIT®

SELF CONTAINED	Model	O.A. Length (inches)	Volume FT <sup>3</sup>		Electrical 115 Volts					NEMA 115 V Plug	Weight lbs		Crate Size (inches)		
			Front	Rear	Compressor		LIGHTS Fans HTRS	EVAP Pan	Total Amps		No Crate	With Crate	L"	W"	H"
					H.P	F.L.A									
	KPM-CG-60-S	60	18.88	5.33	1/2	9.6	0.65	3.3	14.35	5-20P	470	692	67	44	42
	KPM-CG-80-S	77.5	24.70	8.76	1/2	9.6	1.59	3.3	14.52	5-20P	575	838	85	44	42
	KPM-CG-100-S	101.2	32.54	13.41	5/8	8.9	1.80	3.3	14.23	5-20P	714	1032	108	44	42

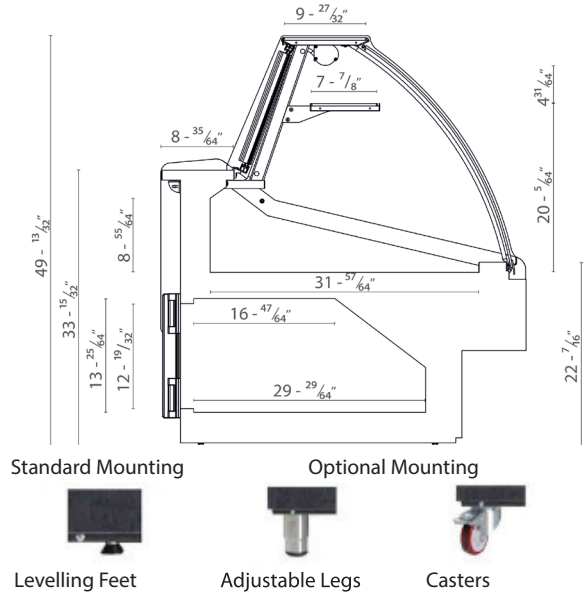
REMOTE	Model	O.A. Length (inches)	Number of Rear Doors	115 Volts Total Amps	B.T.U	Weight lbs		Refrigerated Rear Storage Area	L" x W" x H"
						No Crate	With Crate		
	KPM-CG-60-R	60	1	0.97	2959	414	637	KPM-CG-60	27" x 16-47/64"/29-29/64" x 13-25/64"
	KPM-CG-80-R	77.5	2	1.14	3253	521	783	KPM-CG-80	44-1/2" X 16-47/64"/29-29/64" X 13-25/64"
	KPM-CG-100-R	101.2	3	1.55	4372	659	977	KPM-CG-100	68-1/8" X 16-47/64"/29-29/64" X 13-25/64"

### STANDARD FEATURES

- Tempered side glass
- CFC free injected foam insulation
- Silver colored PVC coated steel front panel
- PVC coated steel gray interior
- Black steel kick plate
- Foamed polystyrene black end panels
- Tempered tilt-forward front glass
- Rear work bench
- Removable rear tempered glass sliding doors
- Tempered glass inside shelf is NON-REFRIGERATED
- LED lighting in canopy
- Temperature and defrost regulated by a digital controller
- Removable condensate evaporating pan for easy cleaning on self contained units
- Slide out condensing unit on self-contained units
- Anti-condensate system for front glass
- Digital thermometer
- Leveling feet

### OPTIONAL FEATURES

- Lift up front glass
- Stainless steel interior and / or exterior
- Other colors available
- White epoxy bi-level wire racks; 2 or 3 level step sham
- Scale stand with receptacle
- Cutting board
- Knife support
- Joining Kit and/or Partition
- Condensate evaporating pan
- Casters add 4-3/8" to height
- Stainless steel legs are adjustable from 5-1/8" to 7-5/8"




### NOTE


These cases are engineered to operate in locations not exceeding 75°F and 55% R.H. These cases are designed to operate using R452a refrigerant. Alternate refrigerants available by special order. O.A. length includes (2) ends at 1-1/2" each. Ventilation grills at front and back cannot be blocked. B.T.U.'s are calculated at 14°F (evaporator) and 90°F (ambient). Remote case are provided with an expansion valve and a liquid solenoid for pump down cycle. On remote cases, if no floor drain is provided, a condensate evaporating pan must be ordered and 3.3 amps added to the amp load. Remote cases must be hard wired – no plugs.

### WARRANTY

One year parts and labor with an additional four years on the compressor (part only)



 3560 NW 56th St  
Fort Lauderdale, FL USA 33309  
Tel: 786.600.4687 / Toll Free: 844.218.8477 / Fax: 786.661.4100

 5659 Royalmount Ave.  
Montreal, QC, Canada H4P 2P9  
Tel: 514.737.9701 / Toll Free: 888.275.4538 / Fax: 514.342.3854  
Toll free: 877.453.8832  
sales@mvpgroupcorp.com / mvpgroupcorp.com