



# KM-231BAJ

SELF-CONTAINED CUBER  
WITH BUILT-IN STORAGE BIN



KM-231BAJ  
08/02/23  
Item # 13555

Item #: \_\_\_\_\_  
Project: \_\_\_\_\_  
Qty: \_\_\_\_\_  
AIA#: \_\_\_\_\_

W x D x H  
24" x 28" x 39"\*\*\*  
\*including 6" legs

ADA Compliant

## KM|EDGE™

**KM-231BAJ**  
Air-Cooled  
Shown



## Features

▶ Individual crescent cube

▶ Stainless steel evaporator

▶ CycleSaver™ design

- Up to 213 lbs. of ice production per 24 hours
- Built-in storage capacity of 2.7ft³/80 lbs.\*
- Durable stainless steel exterior
- Front-in, front-out airflow
- Removable air filter (Air-cooled model only)
- Ice bin opening is ADA compliant
- 6.5 ft. (2000 mm) power cord with NEMA 5-15P plug
- H-GUARD Plus Antimicrobial adds extra protection to the ice scoop (included)
- EverCheck™ alert system
- R-404A Refrigerant

### Warranty:

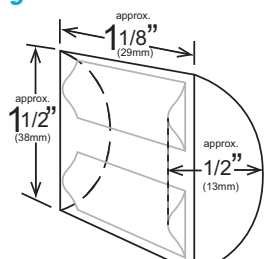
3 Year Parts & Labor on entire machine. 5 Year Parts & Labor on Evaporator. 5 Year Parts on Compressor; air-cooled condenser coil. Valid in United States, Canada, Puerto Rico and U.S. Territories. Contact factory for warranty in other countries.

Shipping: (LxWxH) 34" x 33" x 39" Volume: 25.32ft³

### ICE PRODUCTION WATER USAGE ELECTRICAL

Condenser	Model	Air / Water Temp Lbs. per 24 hours		Potable	Condenser	kWh Used	Min. Circuit/	Amperage	Voltage	Heat Rejection BTU/hr.	Refrigerant Charge Amount	Net / Ship Weight (lbs.)
		70°/ 50°F	90°/ 70°F	Gal. per 100 lbs. 90°/ 70°F	Gal. per 100 lbs. 90°/ 70°F	per 100 lbs. 90°/ 70°F	Max. Fuse Size					
Air-Cooled	KM-231BAJ	213	147	23.5	N/A	8.4	15A	6.5A	115V/60/1	3,750	11.3 oz.	137 / 165

## KMEdge™ Cube Dimensions\*



\* approximate size in inches, image not to scale

## Operating Limits

- Ambient Temp Range 45 - 100°F
- Water Temp Range 45 - 90°F
- Water Pressure 10 - 113 PSIG
- Voltage Range 104 - 127V
- If GFCI is required, a GFCI breaker MUST be used in lieu of GFCI receptacle

## Service

- Allow enough space at rear for water supply and drain connections. Allow at least 2" (5 cm) on right side for proper air circulation and at least 0.6" (15 mm) clearance at top for service/maintenance.

## Plumbing

- Icemaker Water Supply Line: Minimum 1/4" Nominal ID Copper Water Tubing or Equivalent
- Icemaker Drain Line: Minimum 3/4" Nominal ID Hard Pipe or Equivalent

## Water Filter

Please refer to water filter spec sheet for recommended configurations.

Hoshizaki reserves the right to change specifications without notice.



# KM-231BAJ

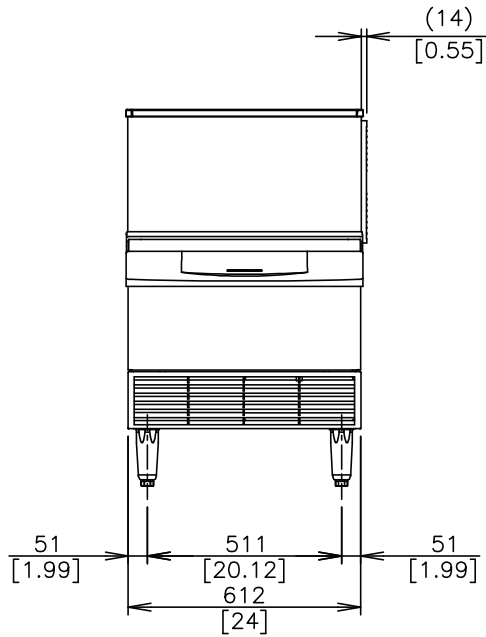
SELF-CONTAINED CUBER  
WITH BUILT-IN STORAGE BIN



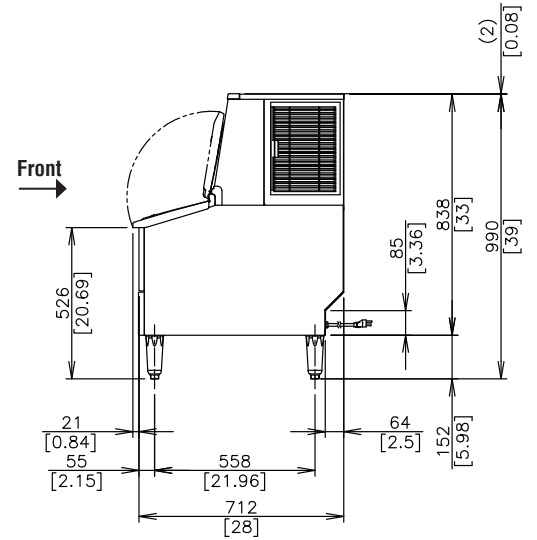
KM-231BAJ  
08/02/23  
Item # 13555

mm  
[inch]

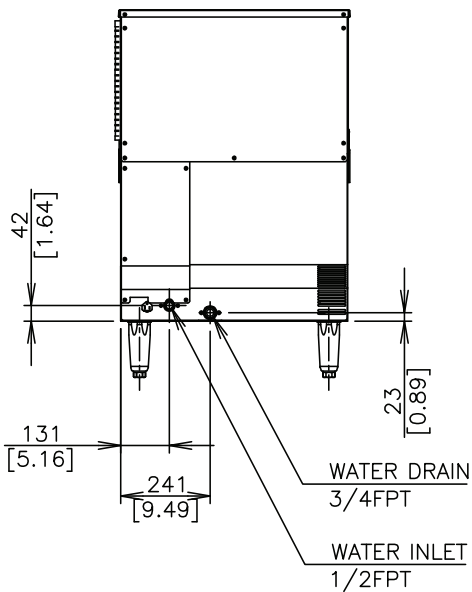
FRONT VIEW



SIDE VIEW



REAR VIEW



TOP VIEW

