



# DCM-300BAH-OS


## OPTI-SERVE SERIES SANITARY CUBELET ICE MACHINE/DISPENSER




DCM-300BAH-OS  
08/03/23  
Item # 13285

Item #: \_\_\_\_\_  
 Project: \_\_\_\_\_  
 Qty: \_\_\_\_\_  
 AIA#: \_\_\_\_\_

### Features

- ▶ Durable stainless steel exterior
- ▶ Advanced CleanCycle24™ design 
- ▶ Stainless steel auger with greaseless bearing

- Up to 321 lbs. of ice production per 24 hours
- Built-in storage capacity of 1.3ft<sup>3</sup>/40 lbs.\*
- 2 second flush cycle every hour
- Corrosion resistant stainless steel exterior
- Easy to chew, cubelet ice
- Self-contained design reduces opportunities for cross contamination
- Protected by H-GUARD Plus Antimicrobial Agent 
- Dispenses ice and water
- R-404A Refrigerant

#### Warranty:

3 Year Parts & Labor on entire machine.  
 5 Year Parts on Compressor; air-cooled condenser coil.  
 Valid in United States, Canada, Puerto Rico and U.S. Territories. Contact factory for warranty in other countries.  
 \*Rated in accordance with AHRI Standard 820(I-P). Capacity based on 100% of total volume x 30 lb/ft<sup>3</sup> average density of ice.

Ice Machine Shipping: (LxWxH) 33" x 25.25" X 46" Volume: 22.18ft<sup>3</sup>

<b>W x D x H</b> 26" x 22 <sup>1</sup> / <sub>2</sub> " x 40"
<b>SD-450</b> 26 <sup>1</sup> / <sub>4</sub> " x 22" x 32 <sup>1</sup> / <sub>2</sub> "
<b>SD-500</b> 25 <sup>7</sup> / <sub>8</sub> " x 22" x 32 <sup>3</sup> / <sub>4</sub> "



### DCM-300BAH-OS

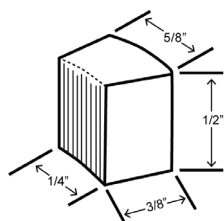
Air-Cooled  
Shown with optional  
SD-450 Stand

*\*Hands-free sensor designed for use  
with opaque containers.  
Not intended for outdoor use - avoid  
placement in direct sunlight.*



Condenser	Model	ICE PRODUCTION		WATER USAGE		ELECTRICAL							
		Air / Water Lbs. per 24 hours 70°/ 50°F	90°/ 70°F	Potable Gal. per 100 lbs. 90°/ 70°F	Condenser Gal. per 100 lbs. 90°/ 70°F	kWh Used per 100 lbs. 90°/ 70°F	Min. Circuit/ Max. Fuse Size	Amperage	Voltage	Circuit Wires (including ground)	Heat Rejection BTU/hr.	Refrigerant Charge Amount	Net / Ship Weight (lbs.)
Air-Cooled	DCM-300BAH-OS	321	232	12.5	N/A	6.84	20A	10.25A	115V/60/1	3	3,500	15.9 oz.	215 / 220

### Cubelet Dimensions\*



\* approximate size in inches, image not to scale

### Operating Limits

- Ambient Temp Range 45 - 100°F
- Water Temp Range 45 - 90°F
- Water Pressure 10 - 113 PSIG
- Voltage Range 104 - 127V
- If GFCI is required, a GFCI breaker MUST be used in lieu of GFCI receptacle

### Service

- Allow 6" (15 cm) clearance at rear and sides for proper air circulation and ease of maintenance/ service should they be required. Allow 24" (61 cm) clearance at top to allow for removal of the auger.

*Not intended for outdoor use - avoid placement in direct sunlight.*

### Plumbing

- Icemaker Water Supply Line: Minimum 1/4" Nominal ID Copper Water Tubing or Equivalent
- Icemaker Drain Line: Minimum 3/4" Nominal ID Hard Pipe or Equivalent

### Water Filter

*Please refer to water filter specification sheet for recommendations.*

*Hoshizaki reserves the right to change specifications without notice.*



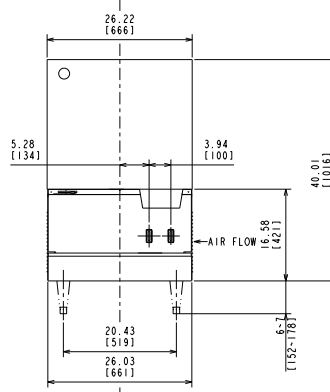
# DCM-300BAH-OS

OPTI-SERVE SERIES  
SANITARY CUBELET ICE MACHINE/DISPENSER



DCM-300BAH-OS  
08/03/23  
Item # 13285

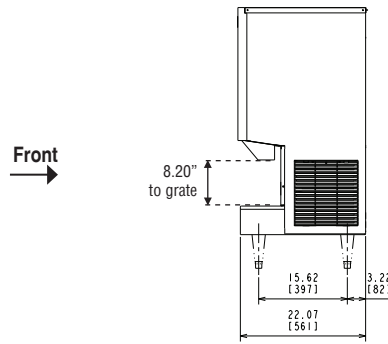
FRONT VIEW



inch  
[mm]

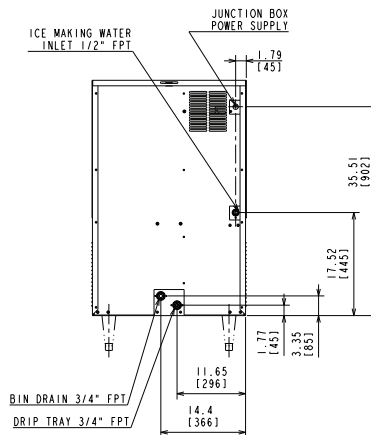
AIR-COOLED

SIDE VIEW



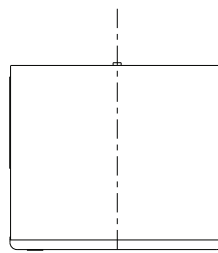
AIR-COOLED

REAR VIEW



AIR-COOLED

TOP VIEW



Front ↑

AIR-COOLED