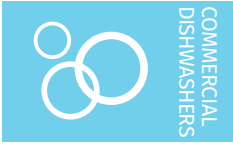




Project _____
 AIA # _____ SIS # _____
 Item # _____ Quantity _____ C.S.I. Section 114000



PW SERIES – PW20

PW20
Pot, Pan & Utensil Washer



STANDARD FEATURES

- + Timed wash cycles; racks per hour: 20 (2 minute wash), 12 (4 minute wash), 8 (6 minute wash)
- + 2.35 gallons of water per cycle
- + Hot water sanitation machine
- + Sense-A-Temp™ booster heater capable of 70° rise
- + Front loading, split-door configuration
- + Chamber accepts 20 full-sized sheet pans, or 140 quart mixing bowl
- + Advanced service diagnostics
- + 16 gauge stainless steel deep drawn tank
- + Microcomputer controls with advanced digital cycle/temperature display
- + Two revolving upper and lower interchangeable anti-clogging wash arms and rinse arms
- + Removable stainless steel scrap screens and scrap basket
- + Corrosion resistant pump
- + Automatic pumped drain
- + Pumped rinse
- + 33.79"h x 49.61"w door opening
- + Automatic fill
- + Delime pump standard (Advansys)
- + Electric tank heat
- + Spray hose (12')
- + Rack size: 48.8"w x 27.615"d x 4.813"h

SPECIFIER STATEMENT

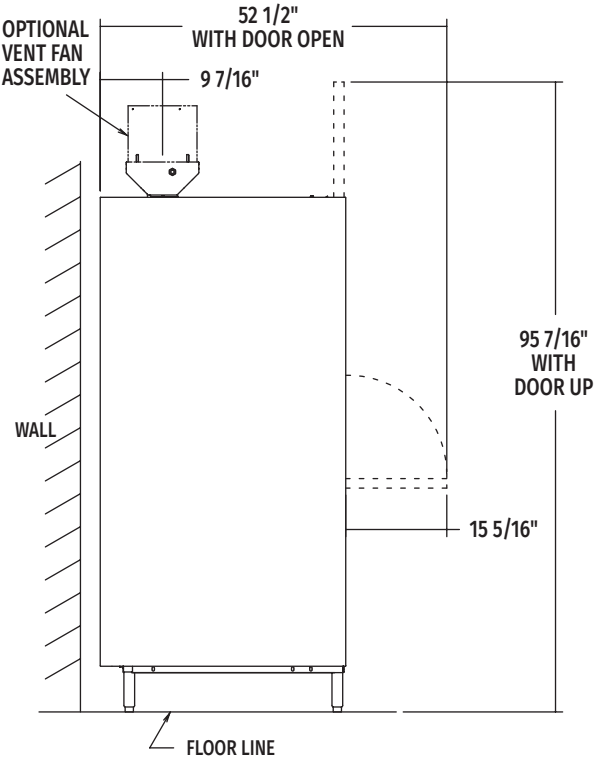
Specified dishwasher will be Hobart PW20 Pot/Pan/Utensil Washer, front loading with split door design, (20) pan capacity, over/under rotating arms, 2/4/6 minute adjustable cycles, up to (20) racks/hour, includes: (2) flat grids, (2) tray racks & (1) flat bottom rack, pre-rinse spray hose, sanitizing with Sense-A-Temp™ 70° rise booster, vent fan control, pumped drain, stainless steel construction, 208-240v/60/3-ph & 480v/60/3-ph, NSF, ENERGY STAR®.

1 year parts and labor warranty.

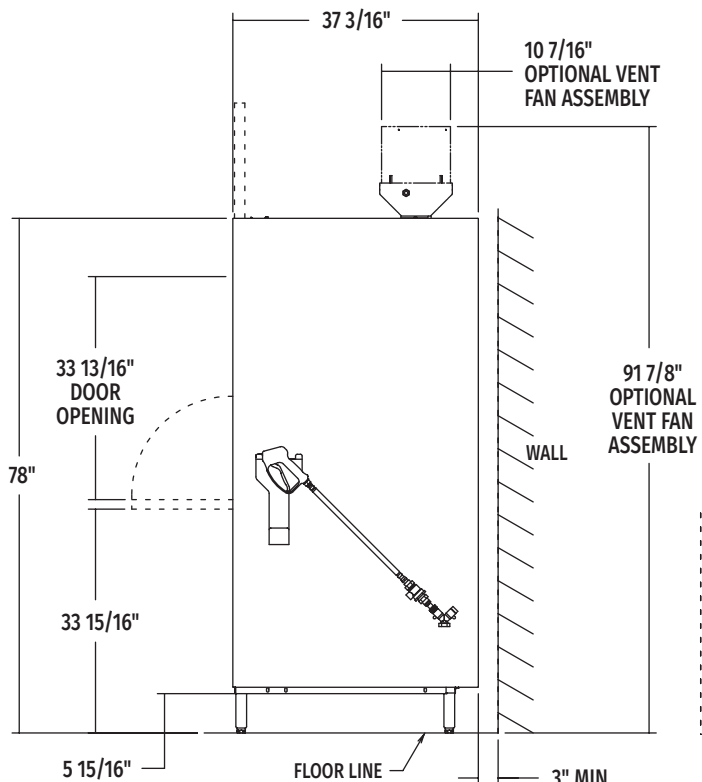
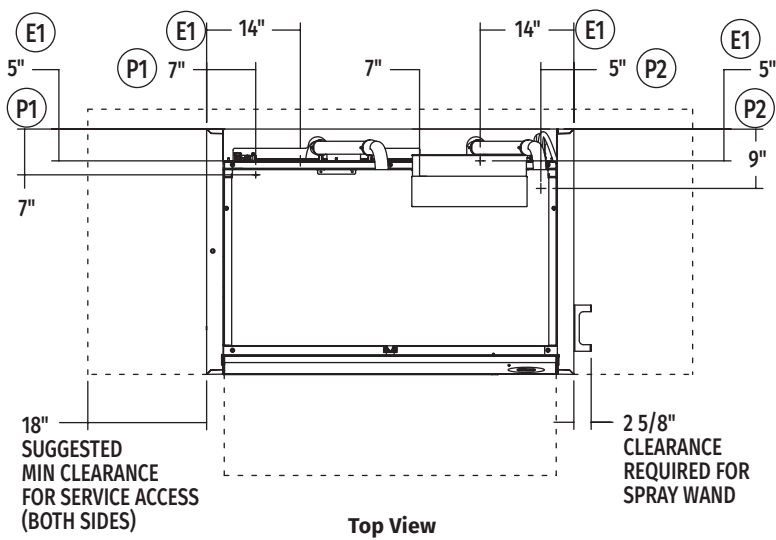
OPTIONS & ACCESSORIES (Available at extra cost)

- Pressure regulator valve 3/4"
- DWT-PW drain water tempering kit
- Steam pan rack (capacity for two racks)
- Flanged feet
- Water hammer arrestor kit
- Door height lowering kit
- 12 pan rack
- Combination rack

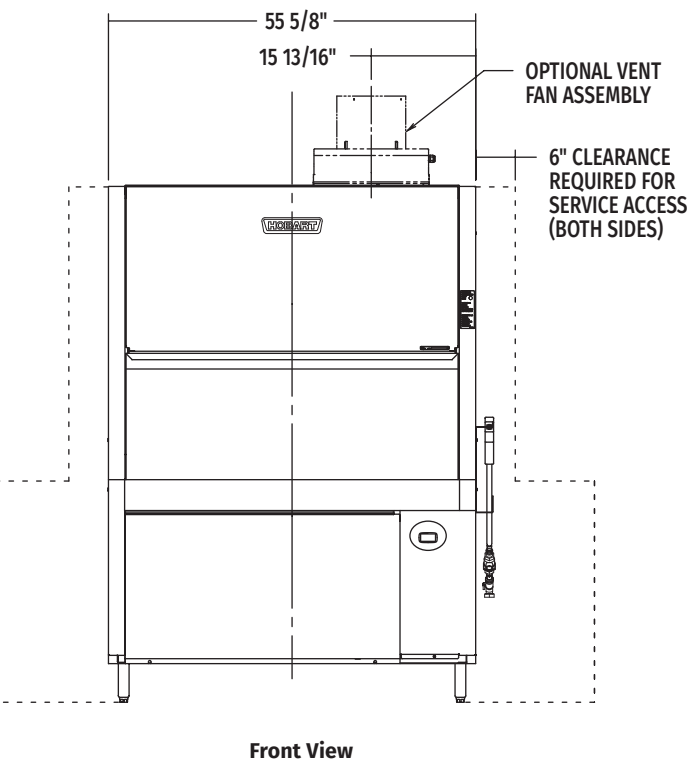
Approved by _____ Date _____ Approved by _____ Date _____



Right Side View



Left Side View



MODEL:
PW20
00-950648
REV D



LEGEND

Electrical Connections	
E1	Electrical connection (including electric heat) 1-1/4" conduit hole, 7-1/16" AFF. Two optional locations.
Plumbing Connections	
P1	Hot water connection incoming: 110° F water minimum. 3/4" female garden hose fitting on 6' long hose supplied with machine. 7-11/16" AFF.
P2	Drain connection: 7/8" barb fitting, 27-1/2" AFF. 6' long 7/8" hose supplied with machine.
NOTE: Cold water connection at P2 (as needed when optional drain water tempering kit is included: 55-80° F recommended water, 1/2" MPT, 26-15/16" AFF.	

WARNING: Electrical and grounding connections must comply with the applicable portions of the National Electrical Code and/or other local codes.

Plumbing connections must comply with applicable sanitary, safety and plumbing codes. Drain and fill line configurations vary, some methods are shown on this drawings.

Plumbing Notes: Required flowing water pressure to the dishmachine is 15-65 PSIG. If pressures higher than 65 PSIG are present, a pressure regulating valve must be installed in the water line to the dishmachine (by others).

Recommended water hardness to be 3 grains or less for best results.

Pressure gauge not required on pumped rinse machines.

Miscellaneous Notes: Backflow prevention provided by NSF-approved air gap device.

Single point electrical connection machines.

All dimensions taken from floor line may increase 1-1/2" depending on leg adjustment.

SPECIFICATIONS

Capacities

Wash Time Settings (minutes)	2, 4, 6
Racks per Hour	20 (2 min. wash), 12 (4 min. wash), 8 (6 min. wash)
Tank Capacity – Gallons	34

Motor Horsepower

Wash	4.0
Rinse	0.33

Water Consumption

U.S. Gallons per Cycle	2.35
U.S. Gallons per Hour (maximum use)	47.0
Peak Drain Flow – U.S. Gallons	26.0

Temperatures °F

Wash	150
Rinse	180
Incoming Water Temperature (minimum recommended)	110

Heating

Tank Heat, electric (kW)	16.4
Electric Booster (kW)	16.4

Standard 20" x 20" (508 x 508) Rack Complement

Trat Rack (10 pan each)	2
Flat Grid	2
Flat Bottom	1

Shipping Weight (approximate) 705 lbs.

Crated Dimensions. 80"H x 64"W x 40"D

Electrical Specifications			
Voltage	Rated Amps	Minimum Supply Circuit Ampacity	Maximum Protective Device
208/60/3	58.6	70	70
240/60/3	64.0	80	80
480/60/3	35.0	45	45

Dishmachine not provided with internal GFCI protection.

Approximate Heat Gain to Space without Vent Hood	
Latent	Sensible
15,000	6,400

As continued product improvement is a policy of Hobart, specifications are subject to change without notice.