



Project _____
 AIA # _____ SIS # _____
 Item # _____ Quantity _____ C.S.I. Section 114000



HS9/HS9N

Automatic Heavy-Duty Slicer



MODELS

- HS9** Automatic slicer with removable knife*
- HS9N** Automatic slicer with non-removable knife
- HS9N-HV50C** High-voltage automatic slicer with non-removable knife
- HS9N-HV60C** High-voltage automatic slicer with non-removable knife

STANDARD FEATURES

Features in bold are exclusive to Hobart

- + ½ HP knife drive motor
- + **13" CleanCut™ knife with cobalt alloy edge**
- + **Zero knife exposure**
- + **Removable knife option***
- + **Top-mounted Borazon® sharpening system**
- + Variable 4-speed automatic product carriage with front-mounted controls
- + Three stroke lengths
- + **Tilting and removable carriage system**
- + **Double-action indexing system**
- + Six interlocks

ACCESSORIES (Available at extra cost)

- + Full fence
- + Food chute
- + Debris deflector

SPECIFIER STATEMENT

Specified slicer will be an NSF rated heavy-duty automatic HS slicer with a patented removable knife option and 13" CleanCut™ knife. CleanCut™ knife with cobalt alloy edge increases yield and improves slice quality. Slicer offers zero knife exposure, removable ring guard cover and a stainless steel knife cover. Tilting, removable carriage provides complete access for deep cleaning. Base is constructed from sanitary anodized aluminum to limit crevices and allow for easy cleanup. Features ½ HP knife drive motor, 4 carriage speeds and 3 stroke lengths.

HS SLICER SERIES – HS9/HS9N

Approved by _____ Date _____ Approved by _____ Date _____

SOLUTIONS / BENEFITS

PERFORMANCE

13" CleanCut™ Knife

- + Super alloy edge stays sharp longer
- + Lasts 2 to 3 times longer than carbon coated or stainless steel knives.

Machined Grooves on Gauge Plate and Knife Cover

- + Reduces drag for smooth slicing motion

Double-Action Indexing Cam

- + First full revolution of the indexing knob provides precise control of shaving, chipping and thin slicing
- + Second revolution opens the gauge plate quickly for thicker slicing
- + Gauge plate holds position for consistent, precision slicing

½ HP Knife Drive Motor

- + The power needed to slice cheese and meat with no shredding

Variable Speed Automatic Product Carriage

- + 4 speeds, 3 stroke lengths to handle a wide variety of products

Top-Mounted Borazon® Sharpening System

- + Hones in 15 seconds

EASE OF USE

Lift Assist

- + Helps user get underneath slicer to clean

Removable Meat Grip Assembly

- + Opens for unobstructed loading

Tilting and Removable Carriage

- + Makes it easy to keep slicer clean and sanitary

Magnetically Secured Knife Cover

- + No loose or moving parts make operation easier

Variable Speed Automatic Product Carriage

- + 4 speeds, 3 stroke lengths to handle a wide variety of products

Top-Mounted Borazon® Sharpening System

- + Single action sharpener makes it easier for the user to operate

SANITATION & CLEANING

Sanitary One-Piece Base

- + Has fewer crevices where bacteria may grow
- + Available in burnished or anodized aluminum

Lift Assist

- + Makes it easy to clean underneath the slicer, saving time

Patented Removable Ring Guard Cover

- + Prevents debris build-up around the blade

Patented Removable Knife

- + Removes easily and cleans in sink or dishwasher

Tilting and Removable Carriage

- + Makes it easy to keep slicer clean and sanitary

Removable Meat Grip Assembly

- + Dishwasher safe

Top-Mounted Borazon® Sharpening System

- + Removes for easy cleaning

OPERATOR ASSURANCE

Zero Knife Exposure

- + Operator is protected while sharpening and cleaning

Top-Mounted Borazon® Sharpening System

- + Operator is protected during knife sharpening

Patented Removable Knife

- + Removes easily and cleans in sink or dishwasher

Magnetically Secured Knife Cover

- + No loose or moving parts make operation easier

Patented Removable Knife

- + Removes easily and cleans in sink or dishwasher

Patented Removable Ring Guard Cover

- + Provides extra protection for operator

Six Interlocks

1. No Volt Release (NVR)

- + Ensures slicer will not automatically turn on if power is lost

2. Gauge Plate Interlock

- + Gauge plate must be closed and product tray in home position before the carriage arm can be removed

3. 30-Second Shut Off

- + Slicer automatically shuts off after 30 seconds of non-use

4. Close to Stop

- + Slicer turns off when gauge plate is closed

5. Home to Start

- + Slicer will not turn on until carriage is in home position

6. Carriage System Interlock

- + Will not tilt away or remove if gauge plate is not closed



SPECIFICATIONS

Motor: ½ HP knife drive motor, knife is driven by a Hobart Poly V-Belt and runs at 430 RPM for optimal performance.

Electrical:

HS9/HS9N – 120/60/1; 5.6 amps

HS9-HV50C – 220-240/50/1; 2.8 amps

HS9-HV60C – 220-240/60/1; 2.8 amps

Controls: Moisture protected push button switch.

Cord and Plug: 6 foot, three-wire power supply cord and plug. Plug not furnished on export models.

Construction: One-piece, sanitary burnished aluminum base. Fewer places to harbor debris; limits crevices or holes in which food can lodge. Product tray and gauge plate also anodized aluminum. Stainless steel top cover.

Capacity: The carriage will take food up to 5.75" x 10.75" rectangle or 7.5" in diameter.

Gauge Plate: Gauge plate is a heavy aluminum extrusion with machined grooves for smooth feeding. Adjustable to cut any thickness of slice up to 1".

Knife: The knife is approximately 13", constructed of 304L stainless steel and high performance Stellite alloy. Knife cover is retained magnetically, and is quickly removed by pulling straight back on the top cover knob.


Removable Ring Guard Cover: Fits on top of ring guard to catch food debris. When removed, reveals a 0.12" space between knife and guard for easier flossing. Ring guard is made with Zytel™ plastic and can be washed in warewasher or three compartment sink.

Top-Mounted Borazon® Sharpening System: Single action operation utilizing two Borazon® stones to sharpen and hone in five seconds. Removable, top mounted and warewasher safe. When sharpener is removed for cleaning, knife edge is completely shielded. Borazon® stones have a lifetime guarantee.

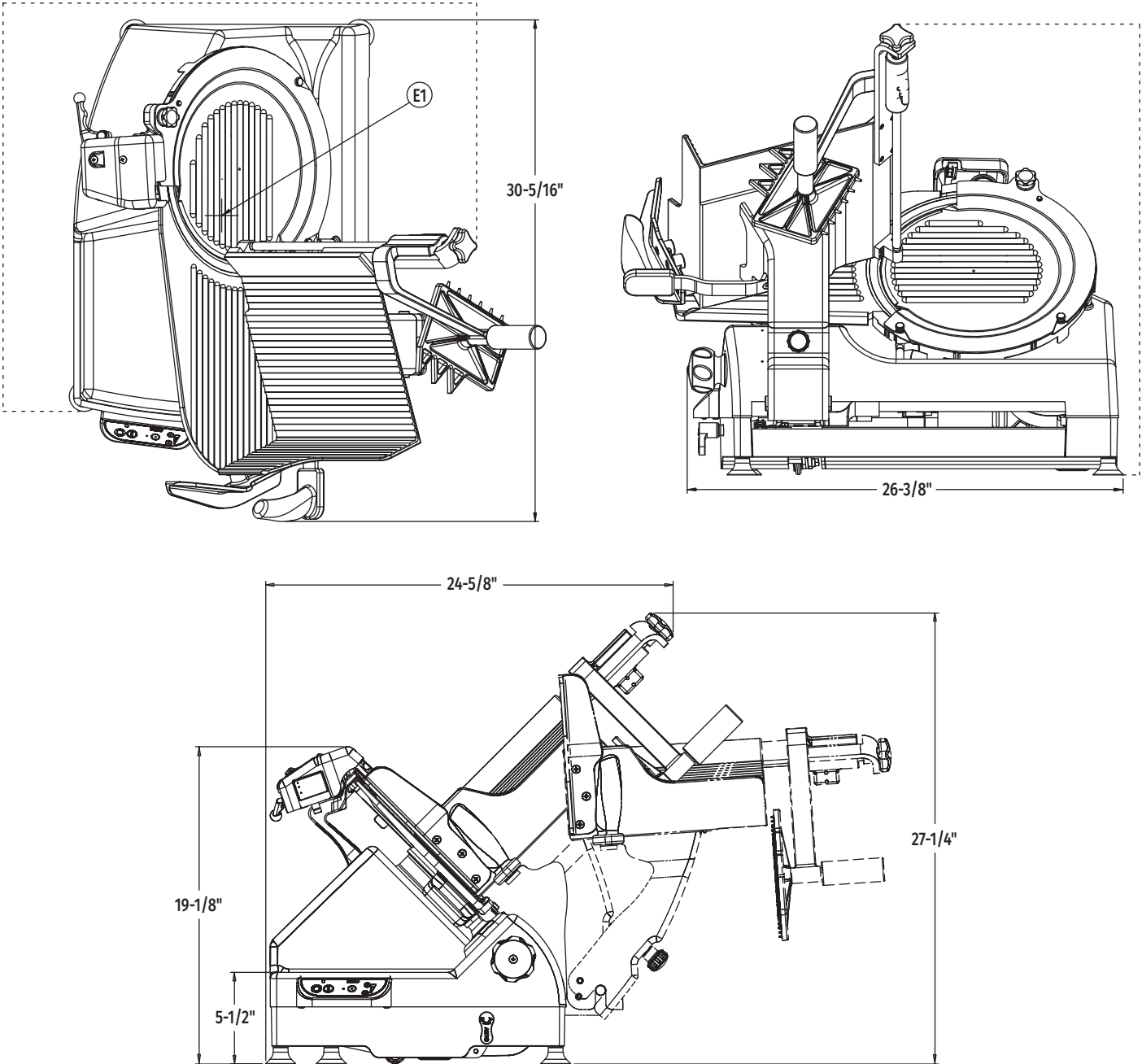
Warranty: All parts and service coverage for one year including knife. Lifetime guarantee on Borazon® stones in the sharpening system.

Shipping Weight: 142 lb.

Plugs and Receptacles Dependent on Local Power Codes

	Machine Voltages	
	120/60/1	220-240/50/1 220-240/60/1
Service Current Requirement if Plug Connected	15 Amp.	
Terminal Designation of Plug	2 Pole 3 Wire Grounding	
NEMA Plug Configuration	5-15P	
Plug Configuration		
Molded Plug on Cord	Yes	No
Plug – Straight/Angle	Straight	
NEMA Receptacle or Connector Configuration	5-15R	
Power Cord Included	Yes	Yes

DETAILS AND DIMENSIONS



WARNING: Electrical and grounding connections must comply with the applicable portions of the National Electrical Code and/or other local electrical codes.

LEGEND

Electrical Connections	
E1	120/60/1; 5.6 Amps