



Project \_\_\_\_\_  
 AIA # \_\_\_\_\_ SIS # \_\_\_\_\_  
 Item # \_\_\_\_\_ Quantity \_\_\_\_\_ C.S.I. Section 114000



## HL400 LEGACY+ 40-Quart Maximum Heavy-Duty Mixer



### SPECIFIER STATEMENT

Specified mixer will be an NSF rated 40-quart maximum heavy-duty, all-purpose mixer with Hobart PLUS System, three fixed speeds plus a stir speed. Mixer has 1½ HP output at the planetary shaft and all-gear transmission. Features include automatic time recall, swing-out bowl, Shift-on-the-Fly™ controls and manual bowl lift. Mixer finished with a metallic gray hybrid powder coat and has a stainless steel bowl guard.

### MODEL

- HL400** 40-Quart Maximum Heavy-Duty Mixer
- HL400C** 40-Quart Maximum Heavy-Duty Mixer with Maximum Security Correctional Package

### STANDARD FEATURES

Features in bold are exclusive to Hobart

- + **PLUS System**
  - **VFDadvantage** variable frequency drive
  - **Maximum capacity** overheat protection
  - **Reinforced planetary shaft system**
- + **Triple interlock system with MagnaLock technology**
- + Heavy-duty 1½ HP motor
- + Gear transmission
- + Three fixed speeds, plus stir speed
- + **Shift-on-the-Fly™ controls**
- + Soft start agitation technology
- + **20-minute SmartTimer™**
- + Automatic time recall
- + Large, easy-to-reach controls
- + **Single point bowl installation**
- + **Ergonomic swing-out bowl**
- + #12 taper attachment hub
- + Open base
- + Metallic gray hybrid powder coat finish
- + Stainless steel removable bowl guard
- + Rubber foot pads provided

### ACCESSORY PACKAGE

Featuring Hobart Quick Release™ Agitators

- HL400-1STD Standard Accessory Package includes:
  - + 40-quart stainless steel bowl
  - + 40-quart “B” beater
  - + 40-quart “D” wire whip
  - + 40-quart “ED” dough hook

HL400 LEGACY+ 40-QUART MAXIMUM HEAVY-DUTY MIXER

Approved by \_\_\_\_\_ Date \_\_\_\_\_ Approved by \_\_\_\_\_ Date \_\_\_\_\_



# HL400 LEGACY+ 40-Quart Maximum Heavy-Duty Mixer

## SOLUTIONS/BENEFITS

### PERFORMANCE

#### VFDadvantage Variable Frequency Drive

- + All-gear, direct drive system
- + Ensures superior mixing consistency, motor protection and long life

#### Quick Release™ Agitators

- + Eliminates the up/down play of bayonet-style agitators
- + Consistent agitator-to-bowl ratio delivers superior mixing performance

#### Four Mixing Speeds

- + Can handle virtually any mixing job
- + Includes stir speed

#### Reinforced Planetary Shaft System

- + Rugged durability under the most challenging mixing conditions

#### Maximum Capacity Overheat Protection

- + Extreme-duty wiring and connections handle more power, reducing thermal cycling impact

### EASE OF USE

#### Ergonomic Swing-Out Bowl

- + Easily swing bowl to the side to remove/add ingredients
- + Adds convenience and saves time

#### Single-Point Bowl Installation

- + Easy-to-mount bowl uses only one point to install
- + Reduces risk of spills, speeds up mixing process

#### Bowl Lift

- + Ergonomic, smoothly moves bowl into mixing position

#### Shift-on-the-Fly™ Controls

- + Allows safe, convenient speed changes while the motor is running
- + Pulse and jog as needed

#### 20-Minute SmartTimer™

- + Automatic recall of time and speed

### SANITATION & CLEANING

#### Stainless Steel Removable Bowl Guard

- + Easy to remove without tools for cleaning
- + Dishwasher-safe for easy cleaning and sanitizing

#### Soft Start Agitation Technology

- + Gradually delivers electricity to the mixer
- + Minimizes the risk of ingredient splash out

### OPERATOR ASSURANCE

#### Triple Interlock System with MagnaLock Technology

- + Prevents mixer from operating unless the bowl is fully up and locked in place and the bowl guard is secured

## HL400 MIXER CAPACITY CHART

Recommended Maximum Capacities – dough capacities based on 70°F water and 12% flour moisture.

Product	Agitators Suitable for Operation	HL400
Capacity of Bowl (Qt. Liquid)		40
Egg Whites	D	1¾ qt.
Mashed Potatoes	B & C	30 lb.
Whipped Cream	D or C	9 qt.
Cakes		40 lb.
Cookies, Sugar		30 lb.
Dough, Bread or Roll ★ (Lt.-Med.) 60% AR	ED	45 lb. ●
Dough, Heavy Bread 55% AR ★	ED	35 lb. ●
Dough, Thin Pizza 40% AR ★ (max. mix time 5 min.)	ED	25 lb. ●
Dough, Thick Pizza 60% AR ★	ED	45 lb. ●
Dough, Whole Wheat 70% AR	ED	45 lb. ●
Icing, Fondant	B	25 lb.
Icing, Marshmallow	C or I	4½ lb.
Pasta, Basic Egg Noodle (max. mix time 5 min.)	ED	15 lb. ●

**Note:** % AR (% Absorption Ratio) – Water weight divided by flour weight. Capacity depends on moisture content of dough. Above capacities based on 12% flour moisture at 70°F water temperature.

● 1st Speed

■ 2nd Speed

▲ 3rd Speed

★ If high gluten flour is used, reduce above dough batch size by 10%.

2nd speed should never be used on 50% AR or lower products.

Use of ice requires a 10% reduction in batch size.

1 gallon of water weighs 8.33 lbs.

**Note:** Attachment hub should not be used while mixing.



# HL400 LEGACY+ 40-Quart Maximum Heavy-Duty Mixer

## SPECIFICATIONS

**Motor:** 1½ HP high torque motor.

200-240/50/60/1 – 9.3 Amps

200-240/50/60/3 – 5.6 Amps

380-460/50/60/3 – 2.7 Amps

**Electrical:** 200-240/50/60/1, 200-240/50/60/3 and 380-460/50/60/3 – UL Listed.

**Controls:** Magnetic contactor and thermal overload protection. Internally sealed “Start-Stop” push buttons. A 20-minute SmartTimer™ is standard. SmartTimer™ includes:

- **Automatic Time Recall**, which remembers the last time set for each speed.
- **Transmission:** Gear-driven. Gears are constant mesh heat-treated hardened alloy steel along with anti-friction ball bearings. Grease lubricants furnished to all gears and shafts.

Speeds	Agitator (RPM)	Attachment (RPM)
Stir	58	34
First (Low)	96	56
Second (Intermediate)	179	104
Third (High)	319	185

**Bowl Guard:** Heavy-duty stainless steel wire front and solid rear portion. Front portion of guard rotates easily to add ingredients and install or remove agitator. It detaches in seconds for cleaning in dishwasher or sink. Rear portion of guard can be quickly cleaned in position. Guard must be in closed position before mixer will operate. Bowl support interlock provides further protection.

**Bowl Lift:** Ergonomic style, manual operated, self-locking in top and bottom position.

**Finish:** Metallic gray hybrid powder coat finish.

**Attachment Hub:** Comes with front-mounted Hobart standard #12 taper attachment hub for use with Hobart #12 size attachments.

**Warranty:** Unit has full one-year warranty on parts, labor and mileage against manufacturer's defects. Service contracts are available.

## Attachments and Accessories:

The following are available at extra cost:

Attachment / Accessory	Device #
Stainless Steel Bowl	BOWL-HL40
“B” Flat Beater	BBEATER-HL4030
“C” Wing Whip	CWHIP-HL4030
“D” Wire Whip	DWHIP-HL4030
“ED” Dough Hook	EDDOUGH-HL40SS
“P” Pastry Knife	PPASTRY-HL4030
“I” Heavy Duty Wire Whip	IWIRE-HL4030
Bowl Splash Cover (lexan)	SPLASH-LEX040
Bowl Scraper	SCRAPER-HL40
Ingredient Chute	CHUTE-HL4030
Bowl Truck	TRUCK-HL4030
Stainless Steel Feet	PADSST-HL4320
9" Vegetable Slicer	VS9
Meat Chopper Attachment	12TIN-C/EPAN
20 Quart Accessories	See HL200 spec sheet
30 Quart Accessories	See HL300 spec sheet

## Plugs and Receptacles:

Dependent on local power codes

X - Cord and Plus Standard

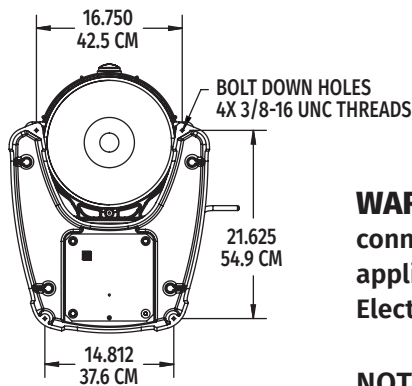
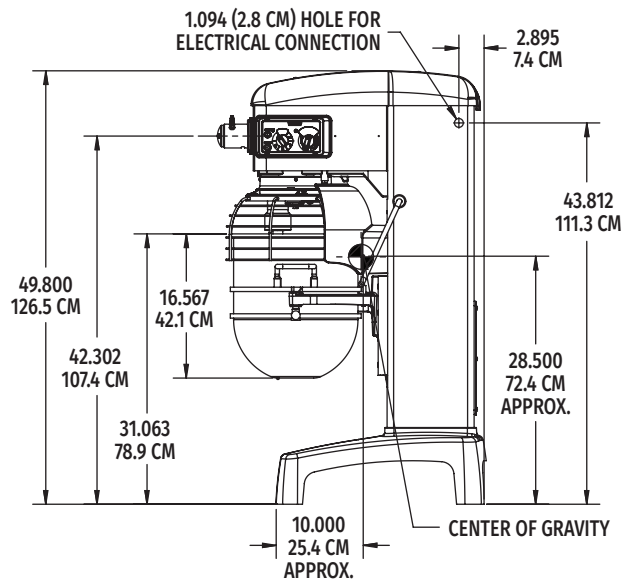
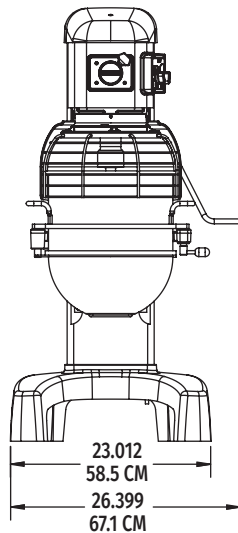
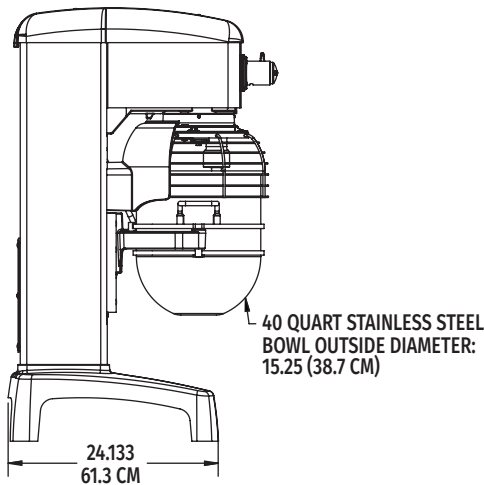
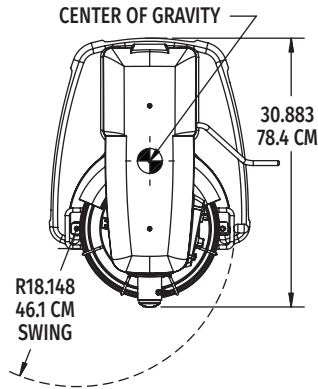
✓ - Available at specified voltage, no plug and cord required

HL400	Machine Voltages			
	200-240	230/60/1	200-240	380-460
<b>Service Current Requirement if Plug Connected</b>	200/60/1 208/60/1	230/60/1	230/60/3	460/60/3
<b>Terminal Designation of Plug</b>		2 Pole 3 Wire Grounding	3 Pole 4 Wire Grounding	3 Pole 4 Wire Grounding
<b>NEMA Plug Configuration</b>		6-15P	L15-20P	L16-20P
<b>Plug Configuration</b>				
<b>Molded Plug on Cord</b>		Yes	No	No
<b>Plug - Straight/Angle</b>		Straight	Straight	Straight
<b>NEMA Receptable or Connector Configuration</b>		6-15R	L15-20R	L16-20R
<b>Power Cord Included</b>	No	No	No	No



# HL400 LEGACY+ 40-Quart Maximum Heavy-Duty Mixer

## DETAILS AND DIMENSIONS



**WARNING:** Electrical and grounding connections must comply with the applicable portions of the National Electrical Code and/or other codes in force.

**NOTE:**  
Machine Weight (Less Bowl): 387 lbs. (175.5 kg)  
Shipping Weight: 453 lbs. (205.5 kg)  
Bowl Weight: 18 lbs. (8.2 kg)