



Project _____
 Item # _____
 Quantity _____

KATTEX™

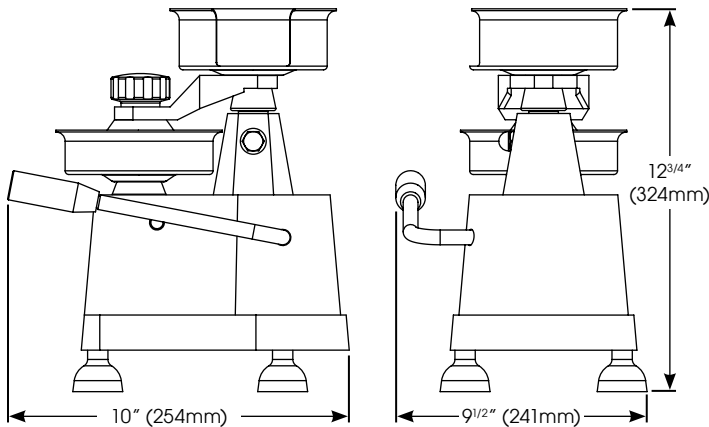
Heavy-Duty Burger Patty Press with Interchangeable Plates

Model: HBP-3

Create uniform patties with the Kattex Heavy-Duty Burger Patty Press. With interchangeable plates and removal tool included, makes 4" (100mm) dia 1/4 lb patties or 5" (130mm) dia 1/2 lb patties.

Standard Features

- ◆ Heavy-duty anodized aluminum construction with stainless steel press bowls and press plates
- ◆ Manual single-lever operation to easily press and release patties
- ◆ Interchangeable 4" (100mm) and 5" (130mm) press plates
- ◆ Built-in patty paper holder
- ◆ Includes 4"(100mm) and 5"(130mm) patty papers, 500 each
- ◆ One year parts and labor warranty



Options & Accessories

HBP-PR100	Case of 4" (100mm) Patty Papers (10pk of 500)
HBP-PR130	Case of 5" (130mm) Patty Papers (10pk of 500)
SCAL-D22	Digital Scale
GLP-Series	Disposable Gloves

MODEL	DESCRIPTION	OVERALL DIMENSIONS			BOX DIMENSIONS			SHIP WEIGHT
		LENGTH	DEPTH	HEIGHT	LENGTH	DEPTH	HEIGHT	
HBP-3	Burger Patty Press	10" (254mm)	9-1/2" (241mm)	12-3/4" (324mm)	14-1/4" (360mm)	10-5/8" (270mm)	15-3/8" (390mm)	18.1 lbs (8.2 kg)

Product Specs Heavy-Duty Burger Patty Press with Interchangeable Plates

The Heavy-Duty Burger Patty Press with Interchangeable Plates model HBP-3 as manufactured by Winco®, Lodi, NJ 07644.

The Heavy-Duty Burger Patty Press shall be constructed of heavy-duty anodized aluminum with stainless steel press bowls and press plates. Units shall include interchangeable 4" (100mm) and 5" (130mm) plates with removal tool and 4" (100mm) and 5" (130mm) patty papers, 500 each. Units shall feature built-in patty paper holders, single-lever operation, and non-skid feet.

One year parts and labor warranty.

For California Customers
 ⚠ **WARNING:** Cancer and Reproductive Harm - www.P65Warnings.ca.gov

New Jersey: 888-946-2682
Florida: 786-536-4656
California: 888-946-2652

equipsales@wincous.com www.wincous.com

• Lodi, New Jersey
 • Miami, Florida
 • La Mirada, California