

## FEATURES

- Black door frame & cabinet
- Self-evaporation water tray
- Self-closing swing glass doors
- Painted aluminium interior with stainless steel bottom
- Illuminated exterior lens with interior LED lighting
- Fan forced cooling system
- Double layer insulated glass doors
- Includes 8 heavy duty epoxy coated shelves (4 per door)
- Includes locking casters & adjustable feet
- Dixell digital temperature controller & defrost timer
- Heavy duty 1/4+ HP Embraco compressor



GRM-53

## TEMPERATURE

- Interior temperature range: 0°C to 8°C (32°F to 46°F)

## WARRANTY

- 2 years parts and labour  
7 years compressor warranty
- Extended warranty options available

Project: \_\_\_\_\_

Date: \_\_\_\_\_

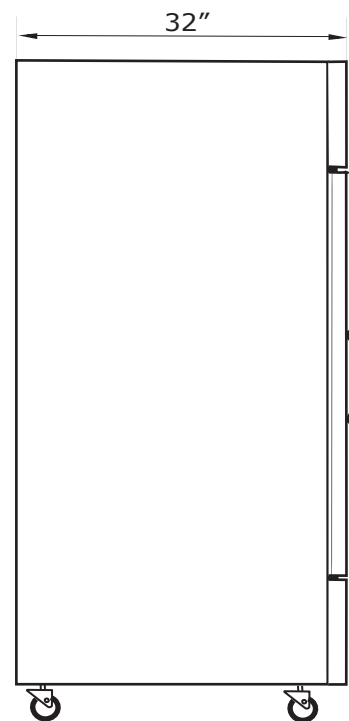
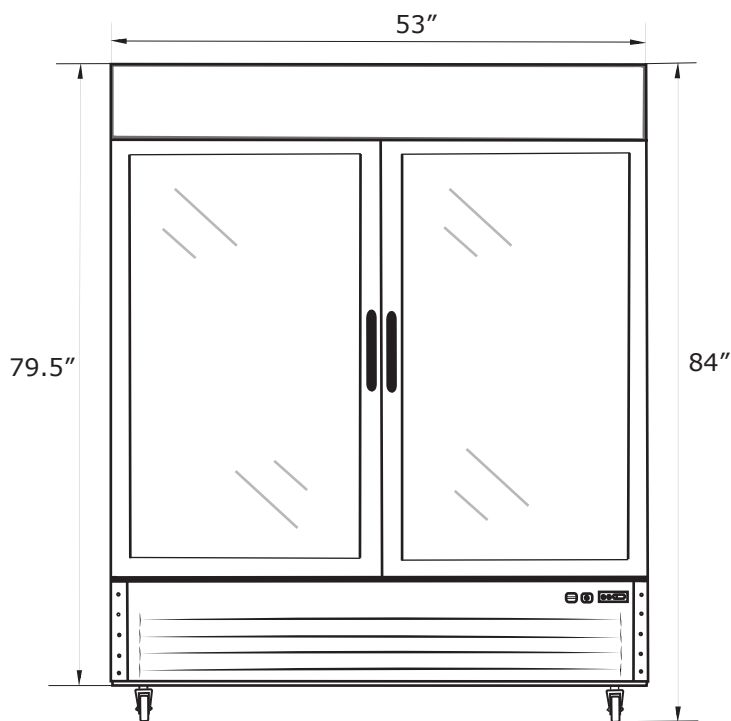
Price: \_\_\_\_\_

Model GRM-53

Glass Display Refrigerator

## SPECIFICATIONS

Volts (V)	Watts (W)	Amps (A)	Volume (cu./ft)	Refrigerant	Overall Dimensions			Interior Dimensions			Weight	
					Width	Depth	Height	Width	Depth	Height	Net	Gross
115V	552W	4.8A	45	R290	53	32	84	N/A	N/A	N/A	500 LBS	N/A



Glass Display Refrigerator

Model GRM-53

CERTIFICATIONS:



NEMA 5-15P