

# DURACOLD

Project: \_\_\_\_\_

Date: \_\_\_\_\_

Price: \_\_\_\_\_

## GLASS DISPLAY CHEST FREEZER/REFRIGERATOR

### MODEL GCF-50

Add this economical freezer display area to your store, restaurant or lunch room with this line of display chest freezers. The bunker style design reduces energy consumption and noise.



#### FEATURES

- White Cabinet With Grey Framing
- White Painted Aluminum Interior
- Interior LED Lighting
- Gravity Cooled With Defrost Plug For Easy Defrosting
- Two Curved Sliding Glass Doors
- Low Emission Glass To Help Reduce Visible Condensation
- Locking 2" Casters
- Includes 5 Full Epoxy Coated Baskets
- Mechanical Dial Temperature Control
- Can Be Calibrated To Operate As A Refrigerator OR Freezer

#### TEMPERATURE

- Refrigerator:  
Interior Temperature Range: 0°C to 10°C (32°F to 50°F)
- Freezer:  
Interior Temperature Range: -18°C to -28°C (0°F to -18°F)

#### WARRANTY

- 1 Year Parts And Labour  
5 Year Compressor Warranty
- Extended Warranty Options Available

GLASS DISPLAY CHEST FREEZER/REFRIGERATOR

MODEL GCF-50

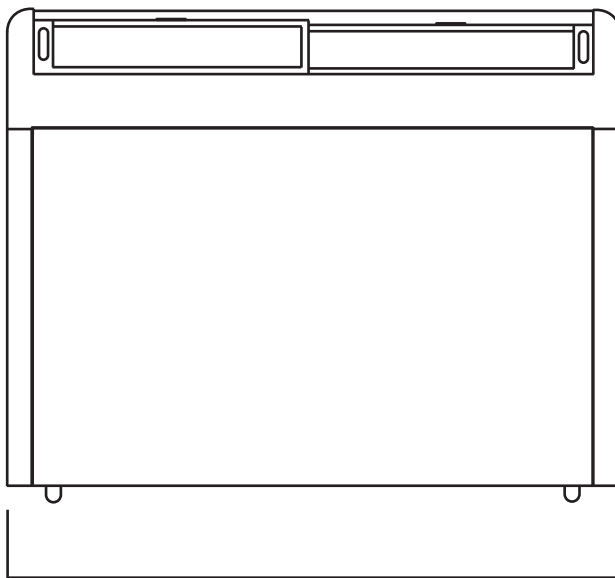
Toll Free: 1-833-669-8003

2884 SLOUGH STREET, UNIT 1, MISSISSAUGA, ONTARIO CANADA L4T 1G3

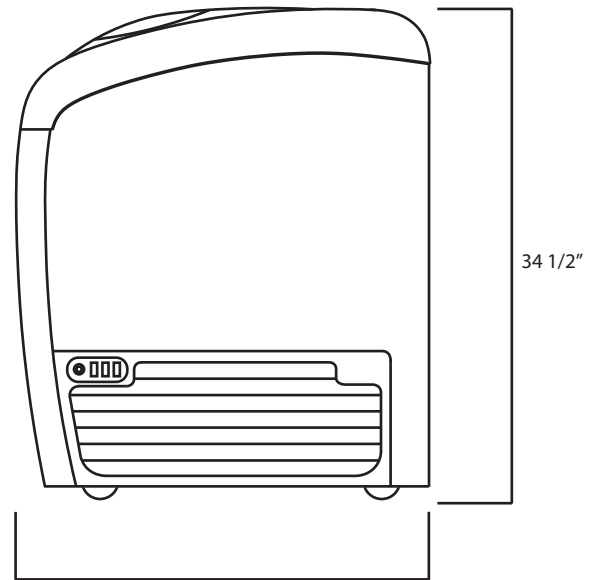
© DURACOLD REFRIGERATION

<b>MODEL</b>	<b>GCF-50</b>
<b>VOLTS</b>	<b>115 V</b>
<b>WATTS</b>	<b>460 W</b>
<b>AMPS</b>	<b>4 A</b>
<b>VOLUME</b>	<b>13.0 cu/ft</b>
<b>REFRIGERANT</b>	<b>R290</b>

<b>OVERALL DIMENSIONS</b>	
<b>WIDTH</b>	<b>49.5"</b>
<b>DEPTH</b>	<b>27 3/4"</b>
<b>HEIGHT</b>	<b>34 1/2"</b>
<b>NET WEIGHT</b>	<b>147 Lbs</b>



50"



27 3/4"

34 1/2"

**CERTIFICATIONS:**



Specifications are subject to change without notice

Toll Free: 1-833-669-8003

2884 SLOUGH STREET, UNIT 1, MISSISSAUGA, ONTARIO CANADA L4T 1G3

© DURACOLD REFRIGERATION