



Equipment for the Foodservice Industry  
value + quality + service

## Open Deli Display Cases

CGOM-5234



### CGOM-5234

### Features

Features:

- Wood plastic board exterior
- Stainless steel louver
- Internal LED illumination on sides
- Digital temperature controller and display
- Includes night curtain
- R290 Refrigerant
- Refrigeration system holds 35.6°F to 50°F (2°C to 10°C)
- Ventilated cooling system
- Automatic defrost system
- Condensation water evaporated automatically
- Casters with brakes make it easy to move and clean underneath

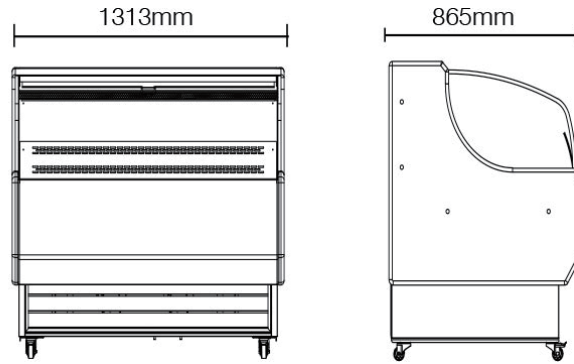
Warranty:

- Two year parts and labour; Five years on compressor
- Specifications subject to change without notice



**CGOM-5234**

**Specifications**



Model	Refrigerant	Cabinet Dimensions (inches / mm)			Capacity (L / Cu Ft.)	HP	Voltage	Amps	Net Weight (KG / LBS)	NEMA Config.
		L	D	H						
CGOM-5234	R290	51.7 / 1313	34.1 / 865	42 / 1067	370 / 13	3/4	110/60	12.7	157 / 346.1	5-15P 