

efi sales Ltd.

Equipment for the Foodservice Industry
value + quality + service

Open Deli Display Cases

CGOM-3934



CGOM-3934

Features

Features:

- Imitation wood plastic board exterior
- Stainless steel louver
- Internal LED illumination on sides
- Digital temperature controller and display
- Includes night curtain
- R290 Refrigerant
- Refrigeration system holds 35.6°F to 50°F (2°C to 10°C)
- Ventilated cooling system
- Automatic defrost system
- Condensation water evaporated automatically
- Casters with brakes make it easy to move and clean underneath

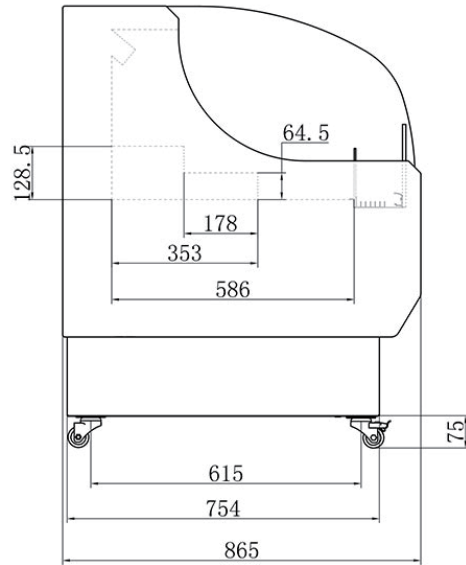
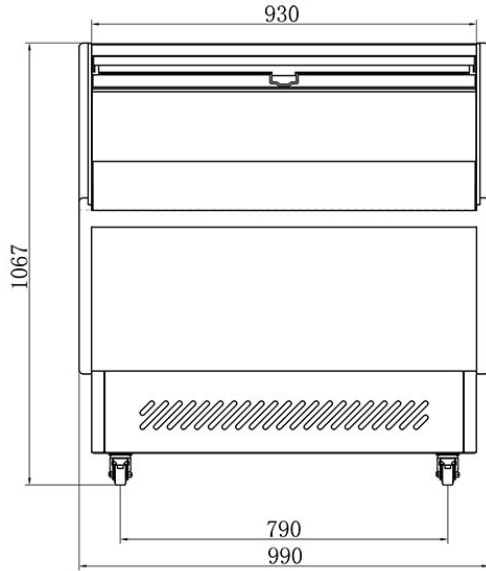
Warranty:


- Two year parts and labour; Five years on compressor. For full warranty details visit <https://www.efifoodequip.com/warranty-info.php>



CGOM-3934

Specifications



Model	Refrigerant	Cabinet Dimensions (inches) (mm)			Capacity (L) (Cu Ft.)	HP	Voltage	Amps	Net Weight (KG) (LBS)	NEMA Config.
		L	D	H						
CGOM-3934	R290	39 990	34.1 865	42 1067	290 10.2	3/4	110/60	15.4	143 315.3	5-15P 

Specifications subject to change without notice.