

GLASS DISPLAY GELATO FREEZER

MODEL DIPC- 50- GEL



MODEL DIPC- 50G- GEL
(With Additional Sneeze Guard)



MODEL DIPC-50- GEL

GLASS DISPLAY GELATO FREEZER

MODEL DIPC- 50- GEL

FEATURES

- White Cabinet With Grey Framing
- White Painted Aluminum Interior
- Gravity Cooling System
- Two Sliding Glass Doors with Lock
- Includes Gelato Pans & Holder
- Total Capacity of 9 Pans for Display + Storage
- Available With or Without Sneeze Guard
- Mechanical Dial Temperature Control
- Lockable 2" Casters
- 2/5 + HP Compressor

TEMPERATURE

- Interior Temperature Range: 2°C to -26°C (35.6°F to -14.8°F)

WARRANTY

- 1 Year Parts And Labour
5 Year Compressor Warranty

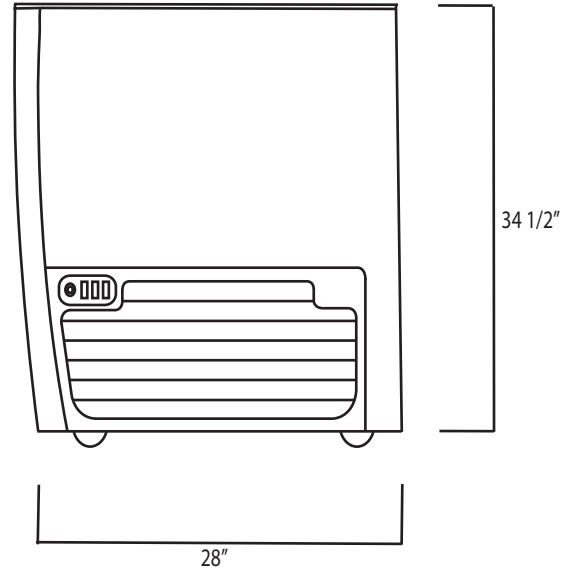
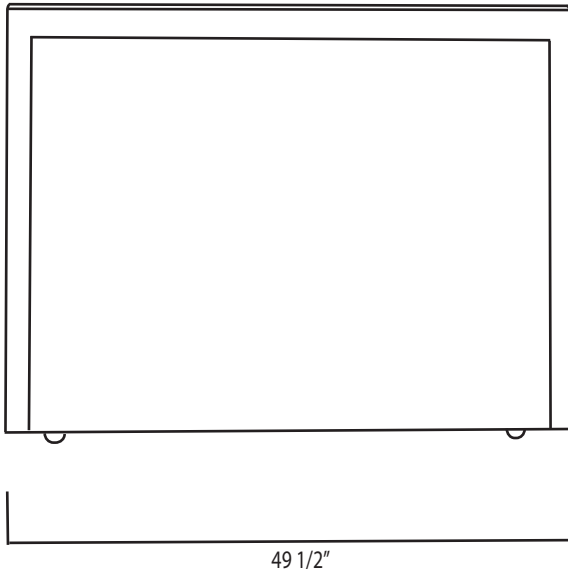
Toll Free: 1-833-669-8003

2884 SLOUGH STREET, UNIT 1, MISSISSAUGA, ONTARIO CANADA L4T 1G3

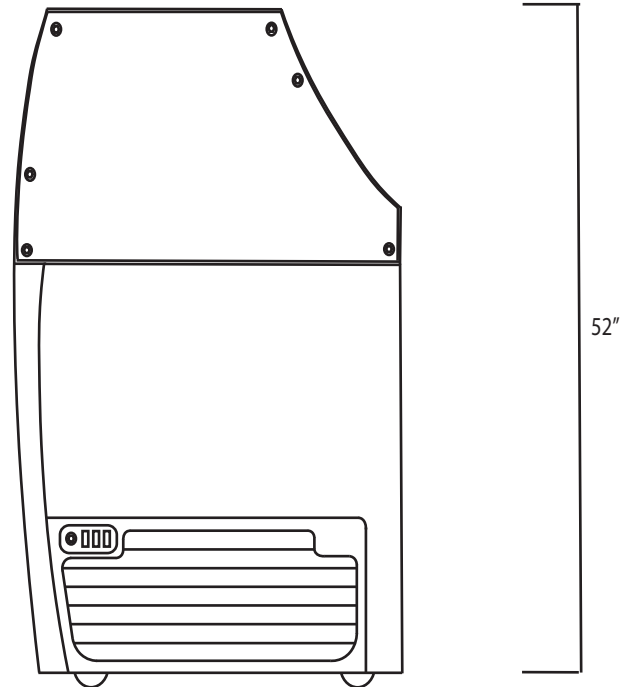
© DURACOLD REFRIGERATION

MODEL	DIPC-50- GEL
VOLTS	115 V
WATTS	460 W
AMPS	4 A
REFRIGERANT	R290

OVERALL DIMENSIONS	
WIDTH	49 1/2"
DEPTH	28"
HEIGHT	34 1/2"
NET WEIGHT	147 Lbs



34 1/2"



CERTIFICATIONS:



Specifications are subject to change without notice

Toll Free: 1-833-669-8003

2884 SLOUGH STREET, UNIT 1, MISSISSAUGA, ONTARIO CANADA L4T 1G3

© DURACOLD REFRIGERATION