

## GLASS DISPLAY DIPPING FREEZER

### MODEL DIPC-26



**MODEL DIPC- 26G**  
(With Additional Sneeze Guard)



**MODEL DIPC-26**

**GLASS DISPLAY DIPPING FREEZER**

**MODEL DIPC-26**

### FEATURES

- White Cabinet With Grey Framing
- White Painted Aluminum Interior
- Gravity Cooling System
- Two Sliding Glass Doors with Lock
- Includes Tub Display Holders
- Total Capacity of 6 Tubs (4 for Display , 2 for Storage)
- Available With or Without Sneeze Guard
- Mechanical Dial Temperature Control
- Lockable 2" Casters
- 1/4+ HP Compressor

### TEMPERATURE

- Interior Temperature Range: 2°C to -26°C (35.6°F to -14.8°F)

### WARRANTY

- 1 Year Parts And Labour
- 5 Year Compressor Warranty

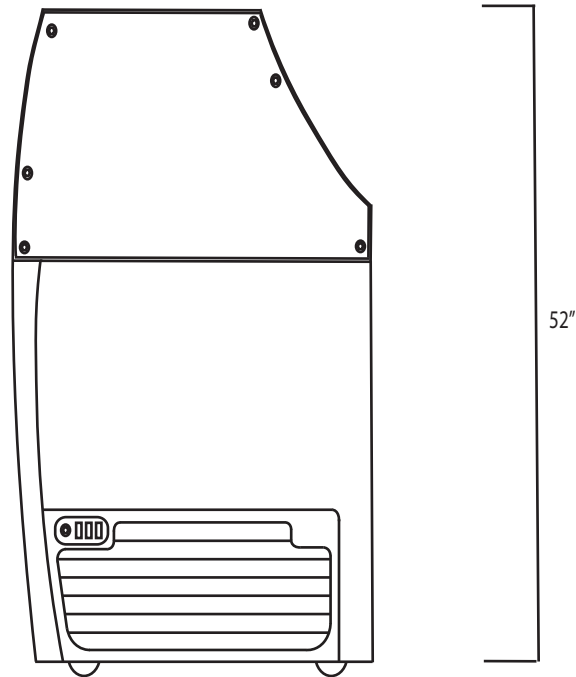
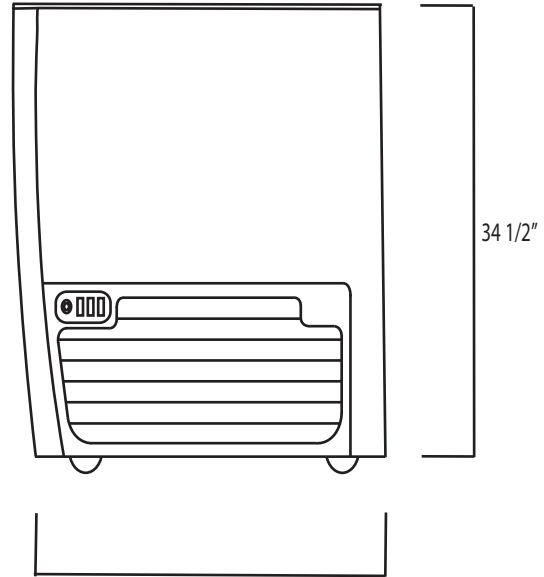
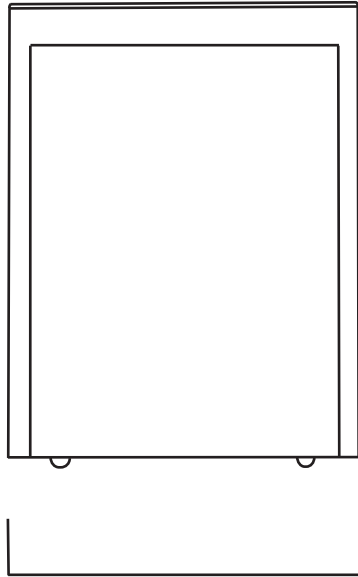
Toll Free: 1-833-669-8003

2884 SLOUGH STREET, UNIT 1, MISSISSAUGA, ONTARIO CANADA L4T 1G3

© DURACOLD REFRIGERATION

<b>MODEL</b>	<b>DIPC-26</b>
<b>VOLTS</b>	<b>115 V</b>
<b>WATTS</b>	<b>345 W</b>
<b>AMPS</b>	<b>3 A</b>
<b>REFRIGERANT</b>	<b>R290</b>

<b>OVERALL DIMENSIONS</b>	
<b>WIDTH</b>	<b>26"</b>
<b>DEPTH</b>	<b>28"</b>
<b>HEIGHT</b>	<b>34 1/2"</b>
<b>NET WEIGHT</b>	<b>92 Lbs</b>



**CERTIFICATIONS:**



Specifications are subject to change without notice

Toll Free: 1-833-669-8003

2884 SLOUGH STREET, UNIT 1, MISSISSAUGA, ONTARIO CANADA L4T 1G3

© DURACOLD REFRIGERATION