

GLASS DISPLAY GELATO FREEZER

MODEL DIPC-26- GEL



MODEL DIPC-26G- GEL
(With Additional Sneeze Guard)



MODEL DIPC- 26- GEL

GLASS DISPLAY GELATO FREEZER

MODEL DIPC-26- GEL

FEATURES

- White Cabinet With Grey Framing
- White Painted Aluminum Interior
- Gravity Cooling System
- Two Sliding Glass Doors with Lock
- Includes Gelato Pans & Holder
- Total Capacity of 3 Pans for Display + Storage
- Available With or Without Sneeze Guard
- Mechanical Dial Temperature Control
- Lockable 2" Casters
- 1/4+ HP Compressor

TEMPERATURE

- Interior Temperature Range: 2°C to -26°C (35.6°F to -14.8°F)

WARRANTY

- 1 Year Parts And Labour
5 Year Compressor Warranty

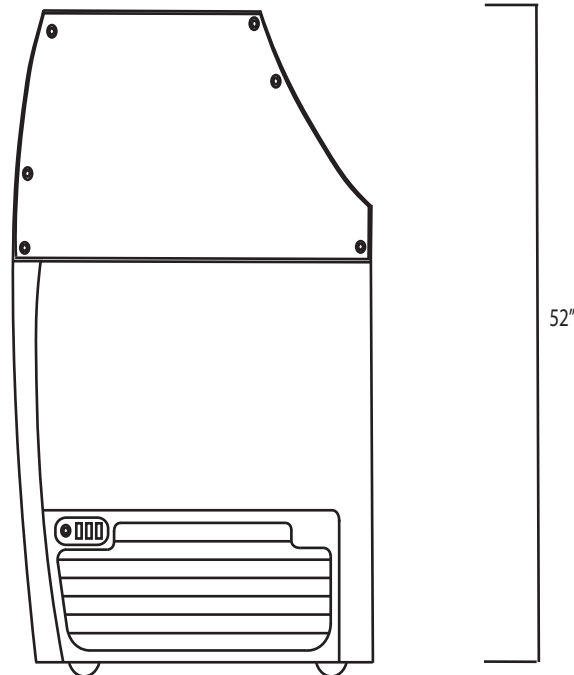
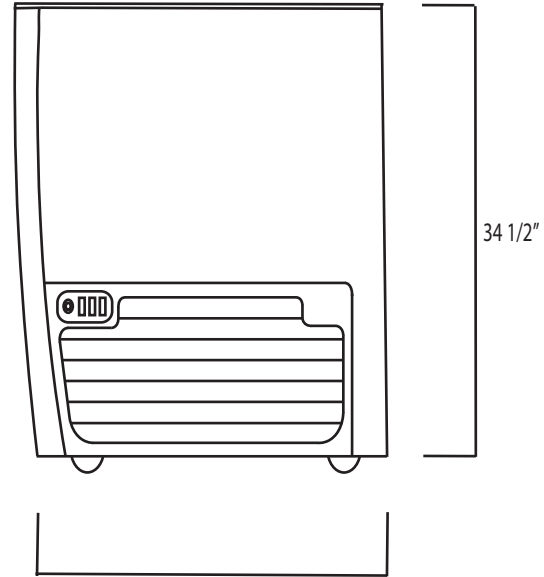
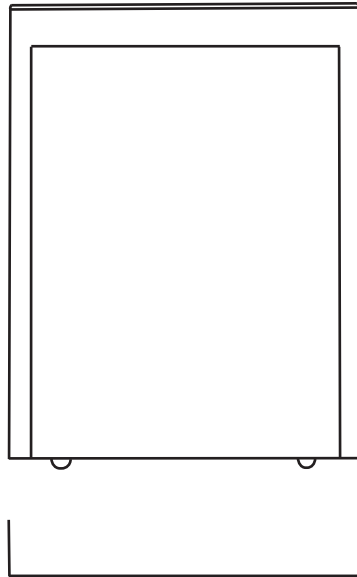
Toll Free: 1-833-669-8003

2884 SLOUGH STREET, UNIT 1, MISSISSAUGA, ONTARIO CANADA L4T 1G3

© DURACOLD REFRIGERATION

MODEL	DIPC-26- GEL
VOLTS	115 V
WATTS	345 W
AMPS	3 A
REFRIGERANT	R290

OVERALL DIMENSIONS	
WIDTH	26"
DEPTH	28"
HEIGHT	34 1/2"
NET WEIGHT	92 Lbs



CERTIFICATIONS:



Specifications are subject to change without notice

Toll Free: 1-833-669-8003

2884 SLOUGH STREET, UNIT 1, MISSISSAUGA, ONTARIO CANADA L4T 1G3

© DURACOLD REFRIGERATION