

## FEATURES

- Black steel body with stainless steel top & floor (optional stainless steel front available)
- Aluminium lining interior with LED lighting
- Gravity cooling system
- Self-evaporation water tray
- 2 double layer glass sliding rear access doors
- Includes 4 heavy duty epoxy coated shelves (2 levels)
- Includes pre-installed 4" casters
- Rounded corners for easy cleaning
- Removable installation board for easy cleaning & service
- Dixell digital temperature controller
- Heavy duty 1/3 HP Embraco compressor

## TEMPERATURE

- Interior temperature range: 0°C to 6°C (32°F to 43°F)

## WARRANTY

- 2 years parts and labour  
7 years compressor warranty



DDC-36



DDC-36-SS

Model DDC-36

Refrigerated Deli Case

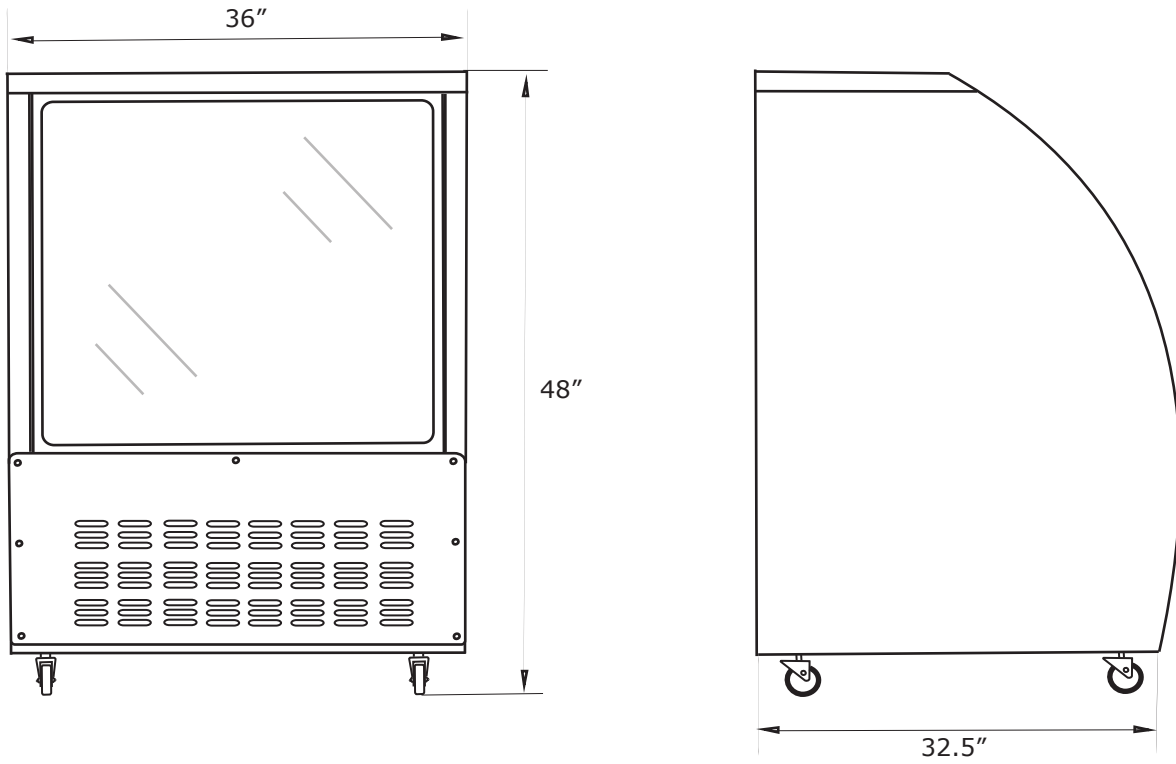
Project: \_\_\_\_\_

Date: \_\_\_\_\_

Price: \_\_\_\_\_

## SPECIFICATIONS

Volts (V)	Watts (W)	Amps (A)	Volume (cu./ft)	Refrigerant	Overall Dimensions			Interior Dimensions			Weight	
					Width	Depth	Height	Width	Depth	Height	Net	Gross
115V	300W	2.8A	12	R290	36	32.5	48	N/A	N/A	N/A	260 LB	N/A



Refrigerated Deli Case

Model DDC-36

CERTIFICATIONS:

