

# ELECTRIC COUNTER TILTING KETTLE



- EC-6TW
- EC-10TW
- EC-12TW

### OPERATION SHALL BE BY:

Electrically, self-generating closed steam system equipped for operation on:

The kettle shall be equipped for operation on:

- 208 VAC, 1 or 3 phase, 50/60 Hz\*
- 240 VAC, 1 or 3 phase, 50/60 Hz\*

\* Phase is field convertible.

### STANDARD FEATURES:

- Low water level cut-off and indicator
- Pressure gauge
- Temperature control
- Safety relief valve
- Type 316 stainless steel liner
- 2/3 steam jacket
- 50 PSI (345 kPa) high pressure operation for higher cooking temperature
- Integrally mounted controls
- Removable elements
- "Clean lock" to hold kettle in cooking position or 105° for ease of cleaning
- Stainless steel console and trunnion
- Water resistant construction
- Faucet bracket

### OPTIONS & ACCESSORIES AT ADDITIONAL COST

- |   |   |   |
|---|---|---|
| <input type="checkbox"/> Counter Steam Kettle Table (KT-)       | <input type="checkbox"/> 380/220 VAC, 3 phase, 4 wire, 50/60 Hz               | <input type="checkbox"/> 21" (530 mm) high floor stand c/w sliding shelf (S-30)                           |
| <input type="checkbox"/> 220 VAC, 1 or 3 phase, 50/60 Hz        | <input type="checkbox"/> Etched gallon markings (GM-6/10/12)                  | <input type="checkbox"/> 21" (530 mm) high floor stand c/w sliding drain pan and stationary drain (SD-30) |
| <input type="checkbox"/> 380 VAC, 3 phase, 50/60 Hz             | <input type="checkbox"/> Etched liter markings (LM-23/38/45)                  | <input type="checkbox"/> Graduated measuring strip (CMS-6/10/12)  |
| <input type="checkbox"/> 415 VAC, 3 phase, 50/60 Hz             | <input type="checkbox"/> Correctional Package                                 | <input type="checkbox"/> Single pantry faucet with swing spout (SF-12)                                    |
| <input type="checkbox"/> 480 VAC, 3 phase, 50/60 Hz             | <input type="checkbox"/> One piece lift-off stainless steel cover (C-6/10/12) | <input type="checkbox"/> Double pantry faucet with swing spout (DF-12)                                    |
| <input type="checkbox"/> 600 VAC, 3 phase, 50/60 Hz             | <input type="checkbox"/> Stainless steel wire basket (SSB-6/10/12)            | <input type="checkbox"/> Pour lip strainer (TKS-6/10/12)  |
| <input type="checkbox"/> 415/240 VAC, 3 phase, 4 wire, 50/60 Hz |   |   |

### STANDARD CONSTRUCTION SPECIFICATIONS

Shall be a Crown Model EC-6TW, EC-10TW or EC-12TW, self-generating, electric, tilting kettle.

A double wall kettle interior shall form a steam jacket around the lower 2/3 of the kettle.

The jacket enclosure shall contain distilled water which is factory sealed.

The bottom of the kettle shall be of hemispherical design for superior heat circulation.

The mounting base shall include the kettle mounting lugs concealed inside a rectangular enclosure and a stainless steel mechanism housing.

A removable operating handle with heat proof knob shall be mounted on the right.

Construction shall be of all welded satin finish stainless steel, type 304.

The interior cooking surface shall be of type 316 stainless steel for added resistance to corrosion.

The kettle shall be ASME constructed, National Board Registered, c-CSA-us and NSF certified.

The controls shall be water resistant, integrally mounted and shall include a power switch, solid state thermostat, pilot light, vacuum/pressure gauge, safety valve, low water light, and low water shut off.

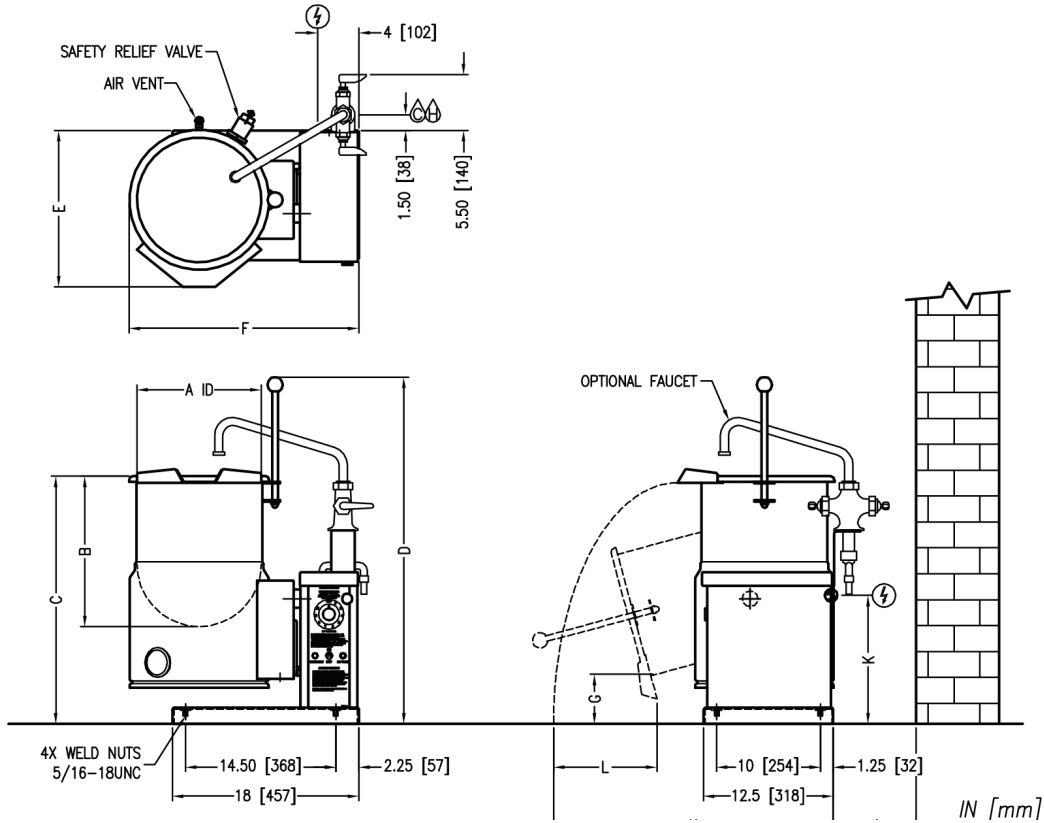
The kettle shall operate in a temperature range of 165°F to 285°F (74°C to 140°C) at a maximum pressure of 50 psi (345 kPa).

The kettle shall come standard with removable elements.



Approval Notes: \_\_\_\_\_

\_\_\_\_\_



**SERVICE CONNECTIONS**

- ELECTRICAL CONNECTIONS: to be specified on data plate
- COLD WATER: 3/8" O.D. tubing to faucet (OPTIONAL)
- HOT WATER: 3/8" O.D. tubing to faucet (OPTIONAL)

**DIMENSIONS**

Model	Capacity	Units	A	B	C	D	E	F	G	H	J	K	L
EC-6TW	6 gallons 23 liters	in (mm)	12" (305)	14.38" (365)	24" (610)	33.5" (851)	15.25" (387)	22.25" (565)	4.50" (114)	27" (686)	4.25" (108)	12.38" (314)	10" (254)
EC-10TW	10 gallons 38 liters	in (mm)	16" (406)	15" (381)	26" (660)	34.88" (886)	17.25" (438)	26.25" (667)	4.62" (117)	28" (711)	6.12" (156)	14.75" (375)	12.75" (324)
EC-12TW	12 gallons 45 liters	in (mm)	16" (406)	17" (432)	28" (711)	36.88" (937)	17.25" (438)	26.25" (667)	4.12" (105)	30" (762)	6.12" (156)	14.75" (375)	12.75" (324)

**ELECTRICAL CHARACTERISTICS AND SPECIFICATIONS**

MODEL	PHASE	kW	AMPS PER LINE						
			208V	220V	240V	380V	415V	480V	600V
EC-6TW	1	7.5	36.0	34.1	31.3	-	-	-	-
	3	7.5	20.8	19.7	18.1	11.4	10.4	9.0	7.2
EC-10TW EC-12TW	1	12.0	57.6	54.6	50.0	-	-	-	-
	3	12.0	33.3	31.5	28.9	18.3	16.7	14.5	11.5

Model	Shipping Weight	Minimum Clearance			CAPACITIES		
		Right Side	Left Side	Back	kW	US Gal.	Liters
EC-6TW	120 lbs. [54 kg]	0"	3" (76 mm)	2.5" (64 mm)	7.5	6	23
EC-10TW	159 lbs. [72 kg]	0"	3" (76 mm)	2" (51 mm)	12	10	38
EC-12TW	190 lbs. [86 kg]	0"	3" (76 mm)	2" (51 mm)	12	12	45

**INTENDED FOR COMMERCIAL USE ONLY.  
NOT FOR HOUSEHOLD USE.**

