

# DURACOLD

Project: \_\_\_\_\_

Date: \_\_\_\_\_

Price: \_\_\_\_\_

## SOLID DOOR STORAGE CHEST FREEZER

### MODEL CF-44

Add convenient and economical bulk storage for your store, restaurant, or market space with the Duracold line of commercial storage chest freezers.



SOLID DOOR STORAGE CHEST FREEZER

MODEL CF-44

### FEATURES

- White Cabinet With Textured Aluminum Interior
- Gravity Cooled With Defrost Plug For Easy Defrosting
- Lockable Hinged Top Door
- 2 Rear Casters For Easy Mobility
- Removable Door Handle
- Includes 1 Wire Basket
- Mechanical Dial Temperature Control

### TEMPERATURE

- Interior Temperature Range: -18°C to -28°C (0°F to -18°F)

### WARRANTY

- 1 Year Parts And Labour  
5 Year Compressor Warranty
- Extended Warranty Options Available

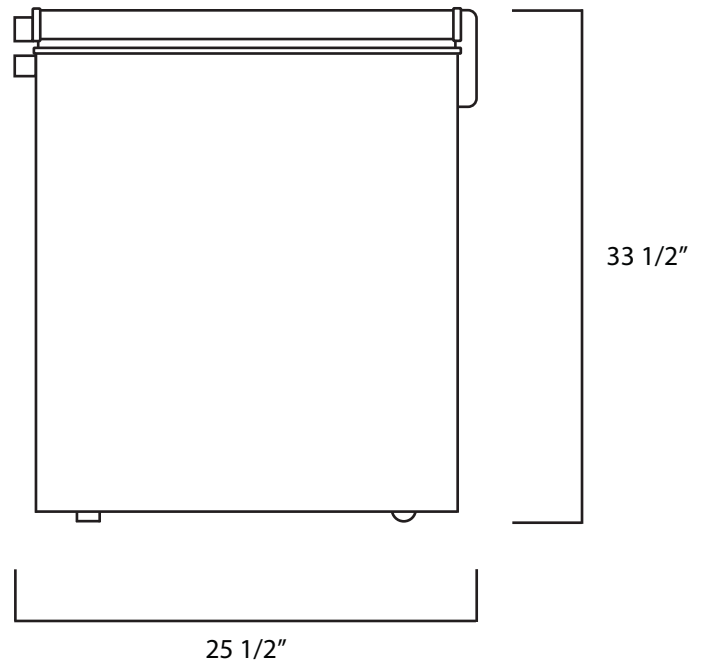
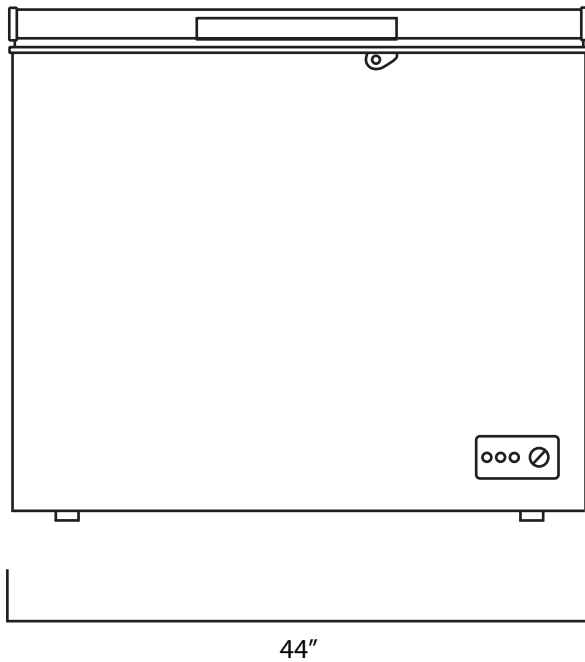
Toll Free: 1-833-669-8003

2884 SLOUGH STREET, UNIT 1, MISSISSAUGA, ONTARIO CANADA L4T 1G3

© DURACOLD REFRIGERATION

<b>MODEL</b>	<b>CF-44</b>
<b>VOLTS</b>	<b>115 V</b>
<b>WATTS</b>	<b>253 W</b>
<b>AMPS</b>	<b>2.2 A</b>
<b>VOLUME</b>	<b>10.0 cu/ft</b>
<b>REFRIGERANT</b>	<b>R600a</b>

<b>OVERALL DIMENSIONS</b>	
<b>WIDTH</b>	<b>44"</b>
<b>DEPTH</b>	<b>25.5"</b>
<b>HEIGHT</b>	<b>33 1/2"</b>
<b>NET WEIGHT</b>	<b>90 Lbs</b>



**CERTIFICATIONS:**



Specifications are subject to change without notice

Toll Free: 1-833-669-8003

2884 SLOUGH STREET, UNIT 1, MISSISSAUGA, ONTARIO CANADA L4T 1G3

© DURACOLD REFRIGERATION