

# SOMERSET®

Tel: 978.667.3355

800.772.4404

Fax: 978.671.9466

Email: somerset@smrset.com

[www.smrset.com](http://www.smrset.com)



## CDR-170

## COMPACT TABLE TOP BREAD MOULDER

### IDEAL FOR:

- Breads
- Challah
- Hot Dog Buns
- Specialty Breads
- Dinner Rolls
- Bolillos
- Cuban Bread
- Sub Rolls
- Breadsticks
- Pretzels
- Baguettes

### HIGHLIGHTS:

- Makes 30 pcs. per minute, up to 15" (38cm) long
- High volume production
- Consistent products every time
- Easily adjusts for a variety of breads
- Ergonomic design makes it easy to operate and clean
- An ideal machine for limited counter space

*Interchangeable pressure plate from 6" (15.3cm) to 11" (27.9cm)*



SOMERSET INDUSTRIES, INC • 137 PHOENIX AVE. • LOWELL, MA 01852 • U.S.A.

### FEATURES

- *Synthetic rollers*
- *Safety sensors for automatic shutoff*
- *Compact design, ideal for use in limited space*
- *Sanitary, heavy duty, all stainless steel welded construction*
- *Spring loaded scrapers readily removable for easy cleaning*
- *Simple handle adjustment for uniform products*
- *Maintenance free drive mechanism, isolated from the roller area*
- *Easy to operate, easy to clean*
- *Special pressure plates available to increase machine's versatility*



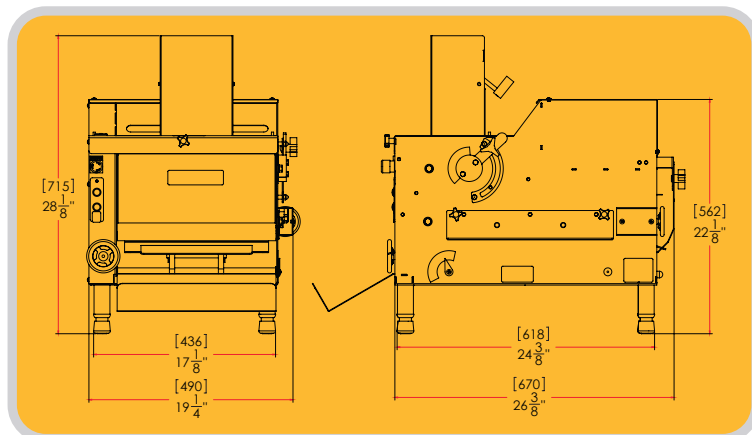
*Convenient table on casters available*

### INDUSTRY USES:

- *Bakeries*
- *Cafes*
- *Restaurants*
- *Supermarkets*
- *Institutions*
- *Delis*
- *Sub Shops*

### SPECIFICATIONS PATENT PENDING

*(Specifications subject to change without notice)*



**Rollers:** 3.5" (9cm) dia. by 15" (38cm) length

**Scrapers:** Synthetic, Spring Loaded, Removable

**Bearings:** Sealed Ball Bearings, Permanently Lubricated

**Gear Motor:** Heavy Duty 1/2 HP, Maintenance Free, Single Phase, 115v/60Hz or 220v/50Hz

**Conveyor Length:** 50" (127cm)

**Conveyor Width:** 14" (35.6cm)

**Pressure Plate:** 14" x 24" (35.50cm x 61cm)

**Finishing:** All Stainless Steel

**Weight:** 190 lbs (86Kgr)

**Shipping Weight:** 220 lbs (100Kgr)