



Get more done.

OWNER/OPERATOR MANUAL



MODELS X13-PLUS & X13A-PLUS SLICERS

NOTICIA IMPORTANTE

Este manual contiene importantes instrucciones de seguridad que deben ser seguidas al pie de la letra cuando utilice esta máquina.

IMPORTANT NOTICE

This manual contains Important Safety Instructions which must be strictly followed when using this equipment.

BEFORE USING THIS EQUIPMENT

Berkel's slicers are designed to slice meat and other food products safely and efficiently. However, unless the operator is properly trained and supervised, there is the possibility of a serious injury. It is the responsibility of the owner to ensure that this slicer is used properly and safely, strictly following the instructions contained in this manual and any requirements of local law.

No one should use or service this slicer without proper training and supervision. All operators should be thoroughly familiar with the procedures contained in this manual. Even so, Berkel cannot anticipate every circumstance or environment in which its slicers will be used. You, the owner and/or operator, must remain alert to the hazards posed by the function of a slicer—particularly the sharp rotating blade and moving table. No one under 18 years of age should operate this equipment. If you are uncertain about a particular task, ask your supervisor.

This manual contains a number of safe practices in the General Safety Instruction Section. Additional warnings are placed throughout this manual. **WARNINGS RELATED TO YOUR PERSONAL SAFETY ARE INDICATED BY:**

WARNING

If any warning label, wall chart or manual becomes misplaced, damaged or illegible, please contact your nearest distributor or Berkel directly, for a free replacement.

Remember, however, **THIS MANUAL OR THE WARNING LABELS DO NOT REPLACE THE NEED TO BE ALERT AND TO USE YOUR COMMON SENSE WHEN USING THIS SLICER.**

TABLE OF CONTENTS

	<i>Page</i>
General Safety Instructions.....	2
Equipment Description.....	4
Intended Uses and Characteristics	6
Unpacking and Installation	6
Operation	7
Cleaning and Sanitizing	8
Sharpening.....	10
Repair Parts/Repair Service.....	10
Troubleshooting.....	11
Specifications.....	12
Optional Accessories.....	13
Warranty	14

The Berkel Company • World's Leading Manufacturer of Slicers and Food Processing Equipment

BERKEL COMPANY

2006 Northwestern Parkway • Louisville, KY 40201

Phone: 800-348-0251 • Fax 888-888-2838

www.berkelequipment.com

⚠ PELIGRO
CUCHILLA FILOSA
para evitar serios accidentes a su
persona siga las instrucciones de este
manual y

1. NUNCA utilice esta máquina sin previa instrucción y autorización de su supervisor.
2. LA MÁQUINA DEBE apoyarse sobre un nivel sólido y plano.
3. LOS PROTECTORES deben colocarse ANTES de enchufar y operar la máquina.
4. SIEMPRE utilice el enchufe original proveído por el fabricante.
5. SIEMPRE utilice el utensilio para empujar la comida - nunca su mano.
6. NUNCA TOQUE LA CUCHILLA CON LA MANO.
7. MANTENGA manos, brazos, cabello y ropa suelta LEJOS de toda parte en movimiento de la máquina.
8. EN CASO DE QUE LA MÁQUINA SE TRABE, apague y desconecte ANTES de sacar lo que la obstruye.
9. APAGUE Y DESCONECTE LA MÁQUINA antes de limpiar, sanitizar, o arreglar.
10. UTILICE UNICAMENTE los repuestos provistos por el fabricante.
11. EN CASO de que los mampretes de 'PELIGRO' se desprendan de la máquina o sean ilegibles, llame al fabricante o a su representante de service Berkel para que lo reemplace sin cargo.

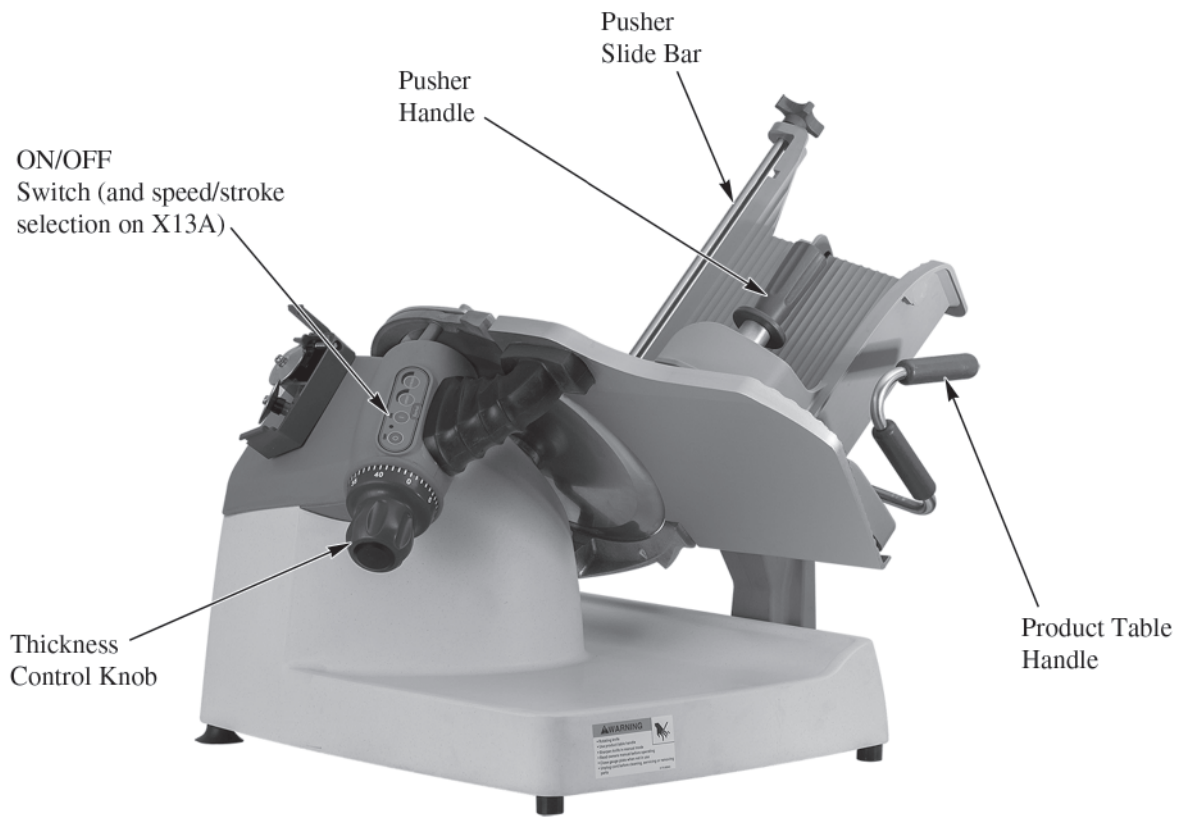


⚠ WARNING
SHARP KNIFE BLADE
to avoid serious personal injury
follow all the instructions in this manual
and

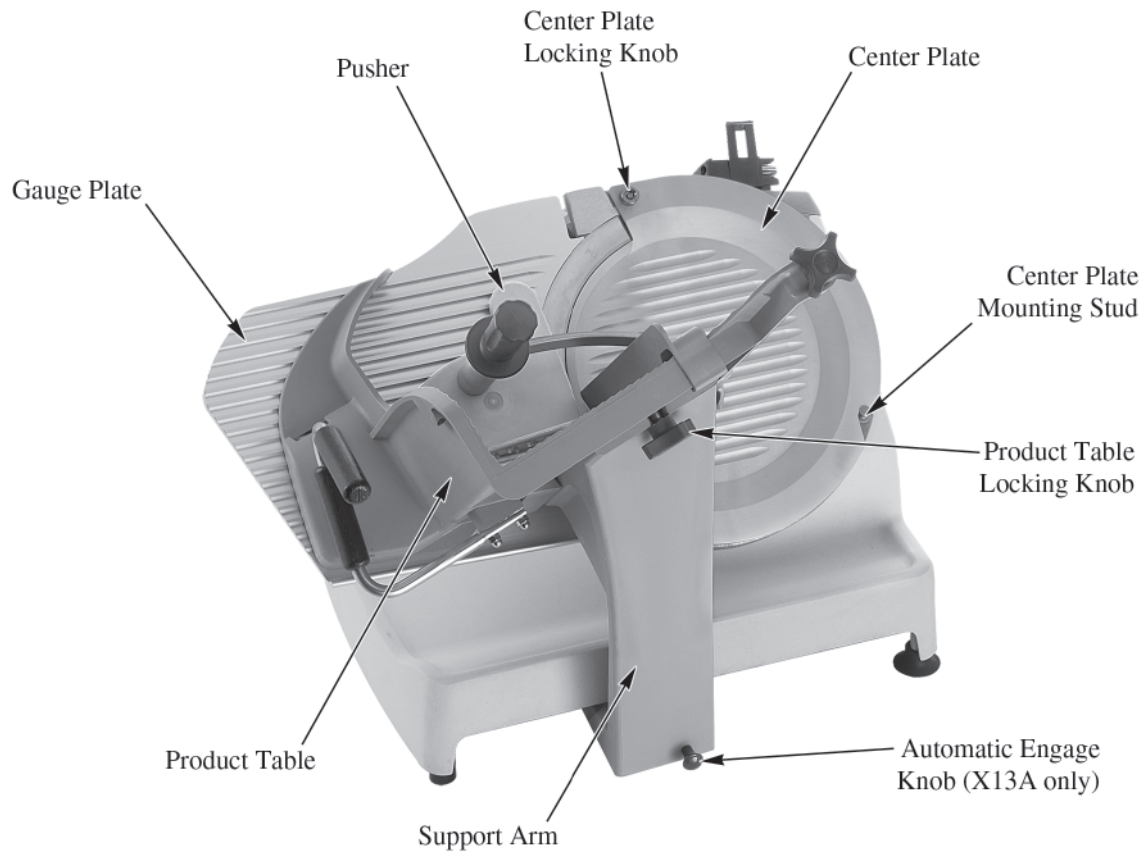
1. NEVER touch this machine without training and authorization by your supervisor.
2. MACHINE MUST BE on solid level support.
3. GUARDS MUST BE in place before plugging in and turning on machine.
4. ALWAYS use three pronged plug provided.
5. ALWAYS use food pusher not your hand.
6. NEVER TOUCH ROTATING KNIFE.
7. KEEP hands, arms, hair and loose clothing clear of all moving parts.
8. SHOULD MACHINE JAM, turn off and unplug before removing obstruction.
9. TURN OFF AND UNPLUG machine from power source before cleaning, sanitizing or servicing.
10. USE ONLY the attachments provided by the manufacturer.
11. SHOULD any warning label on a machine come off or become unreadable, contact the manufacturer or your Designated Berkel Service Location for a free replacement.



EQUIPMENT DESCRIPTION



EQUIPMENT DESCRIPTION



Intended Uses and Characteristics

Intended Uses

The model X13-PLUS and X13A-PLUS slicers are designed for cutting the following types of products:

- Meat (without bones)
- Cheese
- Vegetables

The following types of items are NOT suitable for slicing on the Model X13-PLUS or X13A-PLUS slicers:

- Non-food products
- Frozen foods
- Bone in products

Special Features/Characteristics

Reduced seams and joints for better sanitation

Gauge plate interlock for aid in cleaning

Left hand thickness adjustment for easier cleaning and better user interface

Kick stand for cleaning under the slicer

3 slicing speeds (automatic only)

3 slicing stroke lengths (automatic only)

Automatic return to home at the end of the cutting cycle (automatic only)

Unpacking and Installation

Note: Immediately after unpacking, check the slicer for shipping damage. If the equipment is found to be damaged, save everything! Notify the carrier within 5 days of delivery.

1. Carefully remove the cardboard carton from around the slicer.
2. Slide the product table off the gauge plate. It is in the cardboard box on the gauge plate.
3. Get assistance from another individual and place the slicer on a solid, level surface that is free of any obstructions.
4. Make sure to unpack the sharpener, fence and brush. They are located in pockets in the cardboard base.
5. Slide the product table onto the support arm and secure using the red product table locking knob.

WARNING

To eliminate a potential shock hazard, a properly grounded outlet using the three-pronged plug provided must power this unit. Before plugging the slicer in, check your outlet voltage to be sure it complies with the voltage specified on the serial number plate on the slicer.

Note: The model/serial number plate is located on the back of the slicer.

Operation

General

1. Check to see that the center plate and product table are in place on the slicer and the gauge plate is completely closed. The holes in the bottom of the center plate fit over the bottom mounting studs in the ring guard and the center plate locking knob is at the top of the center plate. The product table slides completely onto the support arm and is secured with the red product table locking knob.
2. If the slicer is an automatic, then make sure the automatic engage knob on the right side of the table support arm is pushed in, towards the left.
3. Plug the slicer in. The pilot light, between the start and stop buttons will illuminate.
4. Push the green ON button and the slicer blade will start to turn. Press the red STOP button to stop the knife.

Automatic Operation

5. If you have an automatic slicer, with the slicer stopped, pull the automatic engage knob fully out on the right side of the machine. This will put the slicer in the automatic mode.
6. Push the speed selection button to change the speed:

One illuminated LED indicates 20 slicers per minute (slow speed)

Two illuminated LED's indicates 40 slices per minute (medium speed)

Three illuminated LED's indicates 60 slices per minute (high speed)

7. Pushing the stroke length selection button changes the length of the stroke. This allows smaller products to be sliced quicker, without the table moving any faster. Make sure the stroke length is longer than the width of the product.

One illuminated LED indicates 1/3 of the total possible stroke length

Two illuminated LED's indicates 2/3 total possible stroke length

Three illuminated LED's indicates full stroke length

8. Press the green START button and the product table will slowly come to its forward position to find its home position. Once it gets back to the home position, then it will start to go back and forth at the preset speed and stroke length.
9. Push the red STOP button and the table will complete its stroke and stop in the home position.
10. As long as the slicer remains in the automatic mode it will remember its home position and always start right up when the green START button is pushed. It will always start slow and gradually build up to its full speed. This is the "soft start" feature.
11. Each time you take the slicer out of the automatic mode, and then back into the automatic mode, it will always find its home position before it starts to run (as indicated in step #8).
12. Each time you activate the slicer into automatic mode, the last speed and stroke length settings will be remembered until power is disrupted from the slicer (i.e. disconnecting the power cord from the outlet). Once power is reconnected to the slicer, the default for automatic is slow speed and full stroke length.

Cleaning and Sanitizing



The following cleaning procedures have been prepared with the grateful cooperation of Kay Chemical, an Ecolab company.

Frequency:

The slicer shall be cleaned and sanitized at intervals to comply with national, state and/or local health codes.

Supplies:

Dish Detergent such as KAY[®] Pot & Pan Detergent
Sanitizer such as KAYQUAT[®] II
Nonabrasive Pad
Nylon Brush
Cut-Resistant gloves
Cloth wipes

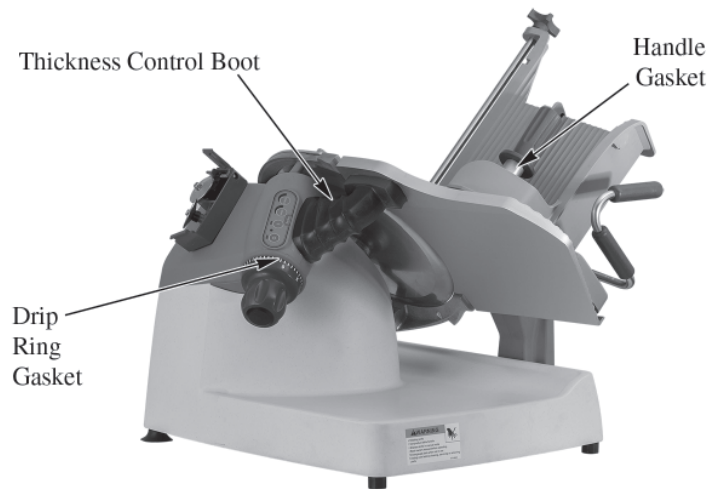
Note: Sanitizer concentration shall comply with Section 4-501.114, *Manual and Mechanical Warewashing Equipment, Chemical Sanitization – Temperature, pH, Concentration, and Hardness* of the FDA Food Code. If a chemical sanitizer other than chlorine, iodine, or quaternary ammonium is used, it shall be applied in accordance with the EPA-registered label use instructions.

Procedure:

CAUTION: Use extreme care when cleaning blade.

1. Close the slicer thickness control knob.
2. Turn the slicer off and unplug power cord from the wall outlet.
3. Pull the product table to the front of the slicer. If it is an automatic slicer, make sure the engagement knob is in the manual position before pulling the product table to the front of the slicer.
4. Unscrew the red handle from the pusher and remove the pusher from the pusher arm. Unscrew and remove the pusher arm slide rod from the product table. Loosen the product table locking knob and remove the table. **The product table cannot be removed unless it is fully forward and the thickness control knob is completely closed.**
5. Remove the center plate by lifting the center plate locking knob at the top of the center plate and lift from the slicer.
6. Pre-scrape food from removable product table and center plate.
7. Wash center plate, product table, red handle, pusher, pusher arm, and slide rod in hot detergent solution. The sharpener can be submerged in the hot detergent solution for cleaning.
8. Rinse the center plate, product table, red handle, pusher, pusher arm, slide rod, and sharpener in fresh, hot, potable water.
9. Submerge the center plate, product table, red handle, pusher, pusher arm, slide rod, and sharpener in sanitizer solution. Set parts to the side on a sanitized surface and allow to air dry.

10. Put on cut resistant gloves. Pre-scrape food from slicer.
11. Using fresh detergent solution, clean the front side of the knife with a non-abrasive pad, nylon brush, and/or cloth wipes. Always wipe from the center of the knife to the outer edge.
12. Clean the backside of the knife with the fresh detergent solution, non-abrasive pad, nylon brush, and/or cloth wipes.
13. Fold a cloth wipe that has been submerged in fresh detergent solution and work it between the ring guard and knife, starting at the base of the ring guard. Carefully work the cloth around the knife, cleaning the edge of the knife, edge of the ring guard and edge of the gauge plate. **Use extreme caution.**
14. Clean the rest of the slicer base and other components with the fresh detergent solution and a non-abrasive pad.
15. Lift up the front of the slicer about 6 inches. A spring loaded kick stand will drop down to the table surface and hold the front of the slicer up. This will allow you to pre-scrape food and clean the table surface under the slicer with fresh detergent solution.
16. Using a fresh cloth wipe, rinse slicer and area under slicer with fresh hot potable water.
17. Spray slicer and area under slicer with fresh sanitizer solution from a sanitizer spray bottle and allow to air dry. Remove cut-resistant gloves.
18. Once the table surface under the slicer has been washed, rinsed and sanitized, lift the front edge of the slicer and push the kick stand back under the slicer. Slowly lower the slicer back to the table.
19. Slide the pusher arm onto the slide rod and reassemble the pusher to the pusher arm using the red handle. Reassemble the slide rod to the product table. Reinstall the center plate and the product table to the slicer. After assembly, spray with sanitizer solution and allow to air dry.
20. Plug in slicer. Place sharpener in proper storage location.



Gasket Inspection:

The recommended interval between inspections shall not exceed six months.

The inspection must be made by the manufacture or an authorized service agent.

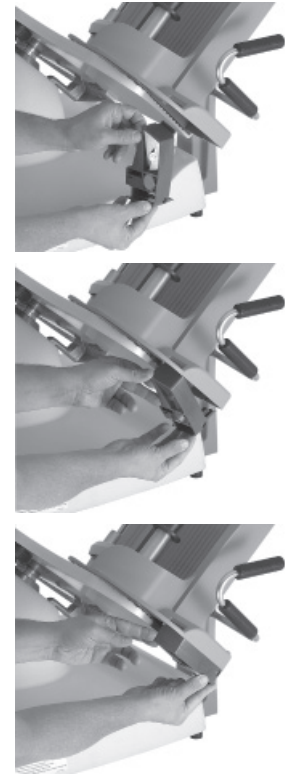
⚠ WARNING

The slicer must be removed from service until repaired by the manufacture or an authorized service agent if any gasket or seal is found to be damaged or missing.

Sharpening

Sharpen only when necessary. Too frequent or prolonged sharpening will prematurely wear the knife and/or stones. The knife should be sharpened when you notice wavy slices or excessive scrap. **Only sharpen the knife after it has been cleaned. You cannot effectively sharpen a dirty knife.**

1. If it is an automatic slicer, make sure the engagement knob is in the manual position, by pushing in (to the left) the knob on the right side of the support arm.
2. Make sure the product table is pulled all the way to the front of the slicer and the thickness control knob is completely closed.
3. Place the top tab of the sharpener into the slot of the product table. Clip the bottom clip of the sharpener over the end of the product table.
4. Open the thickness control knob as far as it will go, fully exposing the knife.
5. Turn the slicer on and gently push the product table towards the knife just as if you were slicing product. Once both the sharpening and deburring stones make contact with the knife, remain there for 2-3 seconds and then pull the product table back to the home position.
6. Turn off the slicer and close the thickness control knob.
7. Unclip the sharpener from the product table using the bottom clip. It can be cleaned in the sink and then stored in a drawer.
8. After sharpening, clean and sanitize the slicer as outlined on page 8.



Repair Parts/Repair Service/Exploded Views

Please contact Hobart Service or your designated Berkel Service Location (DBSL) for any repair parts/repair service required on your Berkel slicer. For the nearest Hobart service office, please visit www.hobartservice.com and then click on “locate an office”. Then either enter your ZIP CODE or select a state to find the closest location. Or you can also visit www.berkelequipment.com and click on the “Service tab”. Then enter your ZIP CODE to be shown the closest Hobart or Berkel DBSL service locations. Other product information such as Parts Catalogs and Instruction/Operator Manuals are also available on the www.berkelequipment.com website. Click on the “Resource Center tab”, and then click on the information category you want to read or download. Be sure to enter your product model number. Additional information may be obtained from:

Berkel Company
2006 Northwestern Parkway
Louisville, KY 40201
Phone: 800-348-0251
Fax: 888-888-2838
www.berkelequipment.com

Troubleshooting

Electrical Failure

1. Is the pilot light illuminated? If not:
 - Is the power cord completely plugged into the wall outlet?
 - Check the power cord for cuts or breaks.
 - Are you getting electricity from the wall outlet? Check by plugging in another piece of equipment with the same electrical requirements.
2. Is the pilot light illuminated but blinking? If so, then push the stop button and then the start button. If the light is still blinking, then contact your nearest Hobart Service location or Designated Berkel Service location. If you do not know your nearest Hobart Service location or your nearest Designated Berkel Service Location, then see page 10 for details on whom to contact.
3. If the correction of any of the above conditions does not result in a functional slicer, call Hobart Service or your Designated Berkel Service Location.

Can't remove product table

1. Make sure the gauge plate is closed by turning the thickness control knob to 0, and the product table is fully to the front of the slicer.

Product table doesn't move freely

1. Check to make sure the slicer is not in the automatic mode.

Note: *The mechanism in the undercarriage should not be oiled or greased.*

Pusher is not sliding easily on the rod

1. Check that the rod is clean and apply Berkel oil to the rod.

Thickness Control Knob not Advancing Gauge Plate

1. Is the product table properly attached to the support arm? If not, then the gauge plate cannot be opened.
2. If the correction of the above condition does not result in a functional slicer, then contact your nearest Hobart Service location or Designated Berkel Service location.

Knife not sharpening

1. Are sharpening procedures being followed exactly as shown in this manual?
2. Are sharpening stones clean? If not, then remove them from the assembly and clean them thoroughly with water and a stiff bristled brush. They are left hand threaded nuts.
3. Are sharpening stones worn and not making contact with the knife? If so, then replace them.
4. Is the knife clean? If coated with food fats, the sharpening stones won't sharpen the knife. Clean the knife and stones.

Specifications

Machine Dimensions:

Width 26-3/4" (680mm)

Length 30-1/2" (770mm)

Height 25-1/4" (640mm)

Diameter of Knife: 13" (330mm)

Slice Thickness: 0 to 1-5/16" (33mm)

Slicing Speed (automatic):

Low 20 slices per minute

Medium 40 slices per minute

High 60 slices per minute

Stroke Length (automatic):

Short 5 inches

Medium 9 inches

Full 13 inches

Slicing Capacity:

Square 7-1/2" x 7-1/2" (190mm x 190mm)

Round 8-1/2" (220mm)

Rectangle 10-1/2" x 6-3/4" (265mm x 170mm)

Net Weight:

Manual 88 lbs.

Automatic 98 lbs.

Shipping Weight:

Manual 118 lbs.

Automatic 128 lbs.

Voltage/Amperage: 115/60/1; 5.5 amps

Horsepower: 1/2hp

Optional Accessories

VEGETABLE CHUTE (4975-00463)

A vegetable chute is available that fits on the product table. The vegetable chute is used for quantity slicing of various size fruit, meats or vegetables.

TRAYS

SLAW TRAY (3875-00241)

The slaw tray is a deep tray to receive a large quantity of product and retain the juices.



Get more done.

Warranty

Effective: February 14, 2002

Berkel Company (“Berkel”) warrants to the Buyer of new equipment that said equipment, when installed in accordance with our instructions and subjected to normal use, is free from defects in material or workmanship for a period of one (1) year from the date of sale.¹

BERKEL SPECIFICALLY DISCLAIMS ANY IMPLIED WARRANTY OF MERCHANTABILITY OR EXPRESS OR IMPLIED WARRANTY OF FITNESS FOR A PARTICULAR PURPOSE.

Berkel’s obligation and liability under this warranty is expressly limited to repairing or replacing equipment that proves to be defective in material or workmanship within the applicable warranty period. Berkel or a Designated Berkel Service Location will perform all repairs pursuant to this warranty. Berkel expressly excludes responsibility for incidental or consequential damages to buyer or any third party, including, without limitation, damages arising from personal injuries, lost profits, loss of business opportunity, loss of property, economic losses, or statutory or exemplary damages, whether in negligence, warranty, strict liability or otherwise.

This warranty does not apply to: periodic maintenance of equipment including but not limited to lubrication, replacement of worn blades, knives, stones, knobs, accessories, and miscellaneous expendable supply items, and other adjustments required due to installation set-up or normal wear.

These warranties are given only to the first purchaser from a Berkel Authorized Channel of Distribution. No warranty is given to subsequent transferees.

The foregoing warranty provisions are a complete and exclusive statement of the warranty between the buyer and seller. Berkel neither assumes nor authorizes any persons to assume any other obligation or liability connection with said equipment. This warranty supersedes any and all prior warranties to the subject hereof.

¹ Model 180 slicers carry a 90-day warranty.



MANUEL DU PROPRIÉTAIRE ET MODE D'EMPLOI



TRANCHEUSES, MODÈLES X13-PLUS & X13A-PLUS

AVIS IMPORTANT

Ce guide comprend des consignes de sécurité importantes qui doivent être observées rigoureusement lors de l'utilisation de cet appareil.

IMPORTANT NOTICE

This manual contains Important Safety Instructions which must be strictly followed when using this equipment.

AVANT D'UTILISER CET APPAREIL

Les trancheuses Berkel sont conçues pour trancher des viandes et d'autres produits alimentaires de façon efficace et sécuritaire. Il subsiste toutefois un risque de blessure grave si l'utilisateur n'est pas formé et encadré de façon adéquate. Il en va de la responsabilité du propriétaire de s'assurer que cette trancheuse soit utilisée correctement et de manière sécuritaire, et de faire en sorte que les opérateurs observent rigoureusement les instructions de ce guide et respectent toutes les lois locales en vigueur.

Personne ne devrait utiliser ni entretenir cette trancheuse sans supervision adéquate, et sans avoir suivi une formation appropriée. Tout utilisateur doit bien connaître les procédures présentées dans ce guide. Berkel ne peut toutefois prévoir toutes les situations ni l'environnement dans lesquels ses trancheuses seront utilisées. C'est donc vous, le propriétaire et/ou l'utilisateur, qui devez demeurer vigilant face aux dangers inhérents à l'utilisation d'une trancheuse, et notamment de la lame rotative très tranchante et du chariot mobile. Cet appareil ne doit pas être utilisé par une personne de moins de 18 ans. Si vous avez des doutes à l'égard d'un travail particulier à effectuer, consultez votre superviseur.

Ce guide présente un certain nombre de pratiques sécuritaires rassemblées sous la rubrique « Consignes générales de sécurité ». De plus, des avertissements supplémentaires apparaissent à plusieurs endroits du guide. **LES AVERTISSEMENTS CONCERNANT VOTRE SÉCURITÉ PERSONNELLE SONT SIGNALÉS PAR LA VIGNETTE :**

AVERTISSEMENT

Au cas où vous auriez perdu un autocollant d'avertissement, une affiche murale ou un guide d'utilisation, ou encore si l'un de ces derniers devait subir des dommages ou devenir illisible, veuillez contacter le détaillant de votre région, ou Berkel directement, qui les remplacera gratuitement.

Souvenez-vous toutefois **QUE NI CE GUIDE, NI LES AUTOCOLLANTS D'AVERTISSEMENT NE SAURAIENT REMPLACER LA NÉCESSITÉ DE DEMEURER VIGILANT ET DE FAIRE PREUVE DE BON SENS LORS DE L'UTILISATION DE CETTE TRANCHEUSE.**

TABLE DES MATIÈRES

	<i>Page</i>
Consignes générales de sécurité.....	2
Description de l'appareil.....	4
Usages prévus et caractéristiques.....	6
Déballage et installation.....	6
Fonctionnement.....	7
Nettoyage et désinfection.....	8
Affûtage.....	10
Pièces de rechange / Service d'entretien.....	10
Dépannage.....	11
Spécifications.....	12
Accessoires offerts en option.....	13
Garantie.....	14

La Société Berkel • Leader mondial dans la fabrication de trancheuses et d'appareils de préparation alimentaire

LA SOCIÉTÉ BERKEL

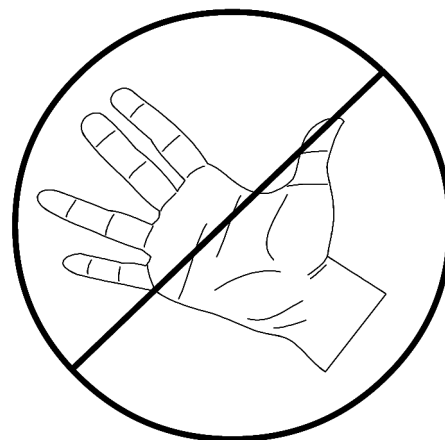
2006 Northwestern Parkway • Louisville, KY 40201

Téléphone: (800) 348-0251 • Fax (888) 888-2838

www.berkelequipment.com

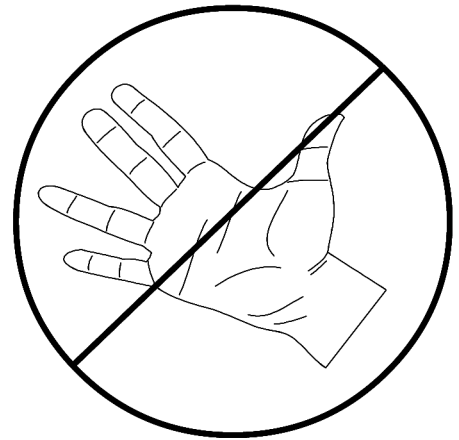
⚠ AVERTISSEMENT
LAME ROTATIVE TRÈS TRANCHANTE
Pour éviter de graves blessures,
observez toutes les instructions de ce guide
Et :

1. Ne touchez JAMAIS à cet appareil sans formation et sans l'autorisation de votre superviseur.
2. L'APPAREIL DOIT ÊTRE POSÉ sur une surface solide et de niveau.
3. Les GARDES de protection DOIVENT être en place avant de brancher et de mettre l'appareil en marche.
4. Utilisez TOUJOURS la fiche à trois branches livrée.
5. Utilisez TOUJOURS le pousse-aliments et non votre main.
6. NE TOUCHEZ JAMAIS À LA LAME ROTATIVE.
7. TENEZ vos mains, vos bras, vos cheveux et vos vêtements amples loin des pièces mobiles.
8. SI L'APPAREIL VENAIT À BLOQUER, veuillez l'éteindre d'abord avant de dégager l'obstruction.
9. Veuillez ÉTEINDRE ET DÉBRANCHER l'appareil de la source d'alimentation avant de le nettoyer, de le désinfecter ou d'en faire l'entretien.
10. N'UTILISEZ QUE les accessoires fournis par le fabricant.
11. Si l'un des autocollants d'avertissement de sécurité fixé sur l'appareil SE DÉTACHE OU DEVIENT ILLISIBLE, contactez le fabricant ou le Centre d'entretien autorisé de Berkel pour obtenir gratuitement un nouvel autocollant.

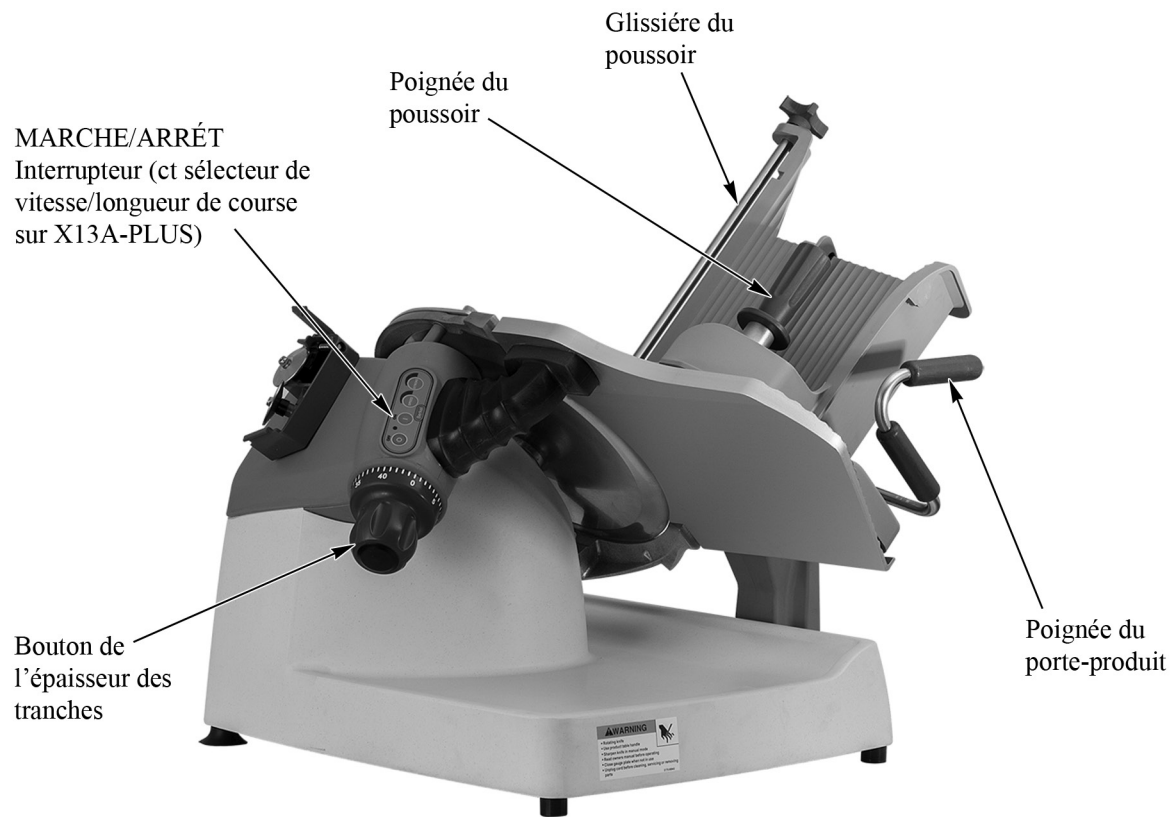


⚠ WARNING
SHARP KNIFE BLADE
to avoid serious personal injury
follow all the instructions in this manual
and

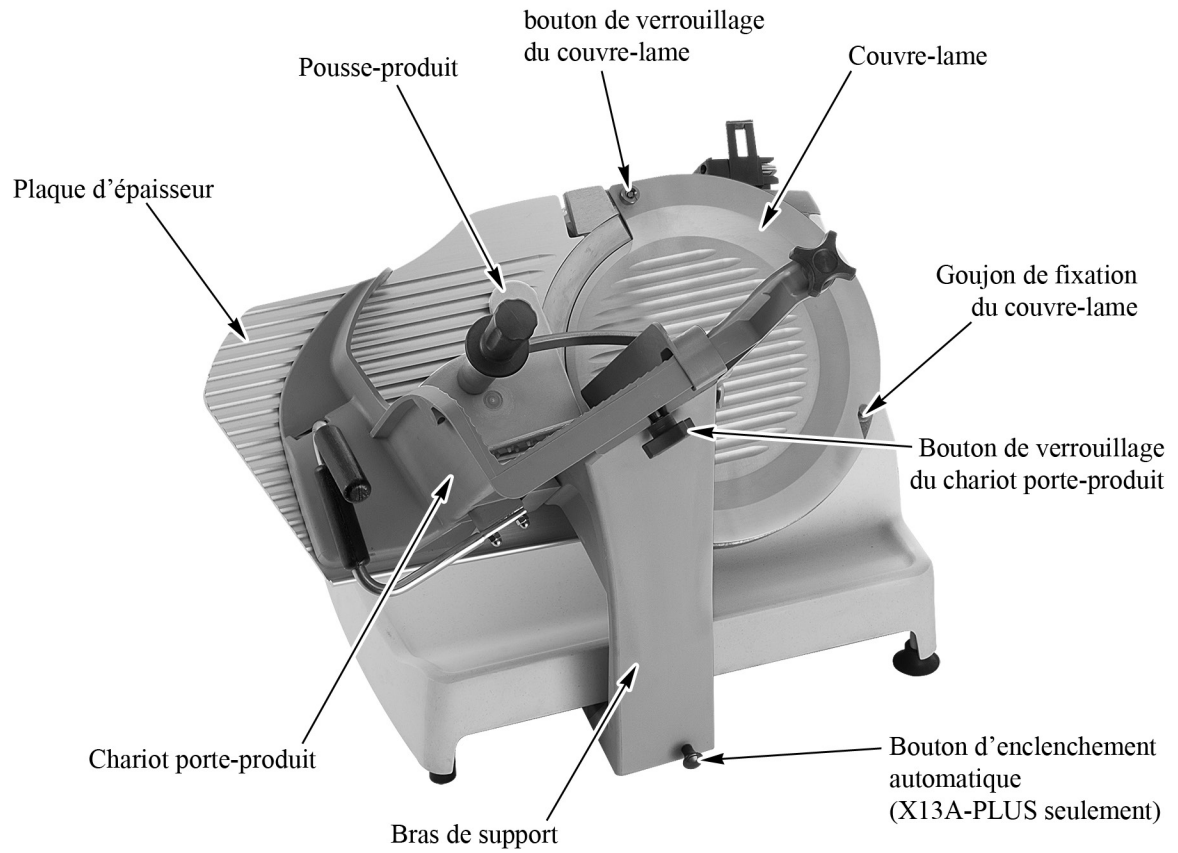
1. NEVER touch this machine without training and authorization by your supervisor.
2. MACHINE MUST BE on solid level support.
3. GUARDS MUST BE in place before plugging in and turning on machine.
4. ALWAYS use three pronged plug provided.
5. ALWAYS use food pusher not your hand.
6. NEVER TOUCH ROTATING KNIFE.
7. KEEP hands, arms, hair and loose clothing clear of all moving parts.
8. SHOULD MACHINE JAM, turn off and unplug before removing obstruction.
9. TURN OFF AND UNPLUG machine from power source before cleaning, sanitizing or servicing.
10. USE ONLY the attachments provided by the manufacturer.
11. SHOULD any warning label on a machine come off or become unreadable, contact the manufacturer or your Designated Berkel Service Location for a free replacement.



DESCRIPTION DE L'APPAREIL



DESCRIPTION DE L'APPAREIL



Usages prévus et caractéristiques

Usages prévus

Les trancheuses portant le modèle X13-PLUS et X13A-PLUS ont été conçues pour trancher les types de produit ci-dessous :

- Les viandes (désossées)
- Les fromages
- Les légumes

Il ne convient PAS de trancher les types d'articles suivants avec les trancheuses de modèle X13-PLUS ou X13A-PLUS :

- Des produits autres qu'alimentaires
- Des aliments surgelés
- Des produits non désossés

Attributs spéciaux / Caractéristiques

Meilleure hygiène grâce à la réduction des soudures et des joints

Verrouillage de la plaque d'épaisseur pour aider au nettoyage

Le réglage de l'épaisseur, situé du côté gauche, rend le nettoyage plus facile et constitue une meilleure interface-utilisateur

Béquille de levage pour le nettoyage sous la trancheuse

3 vitesses de coupe (automatique seulement)

3 longueurs de course de tranchage (automatique seulement)

Retour automatique à la position maison à la fin du cycle de coupe (automatique seulement)

Déballage et installation

Remarque : aussitôt le déballage terminé, vérifiez si la trancheuse a subi des dommages pendant le transport. Si c'est le cas, conservez le tout! Avertissez le transporteur dans les 5 jours de la livraison.

1. Retirez prudemment le carton autour de la trancheuse.
2. Faites glisser le chariot porte-produit hors de la plaque d'épaisseur. Il se trouve dans une boîte de carton posée sur la plaque d'épaisseur.
3. Faites-vous aider par une autre personne et posez la trancheuse sur une surface solide, de niveau et libre de toute obstruction.
4. Assurez-vous de déballer l'affûteuse, la cloison et la brosse. Elles sont emballées dans des sacs à la base du carton.
5. Glissez le chariot porte-produit sur son support et verrouillez-le avec le bouton rouge.

AVERTISSEMENT

Pour éviter un risque latent de court-circuit, une prise à contact de mise à la terre capable d'utiliser le connecteur male à trois branches (livré) doit alimenter l'appareil. Avant de brancher la trancheuse, assurez-vous que la tension de la prise de courant est conforme à la tension de la plaque signalétique.

Remarque : la plaque signalétique est située à l'arrière de la trancheuse.

Mode d'emploi

Général

1. Vérifiez si le couvre-lame et le chariot porte-produit sont bien en place sur la trancheuse et si la plaque d'épaisseur est complètement fermée. Les trous au bas du couvre-lame s'enclenchent sur les goujons de montage inférieurs de l'anneau de protection et le bouton de verrouillage du couvre-lame se trouve en haut de celle-ci. Le chariot porte-produit se glisse complètement sur le bras de support et se bloque en position à l'aide du bouton de fixation rouge.
2. S'il s'agit d'une trancheuse automatique, assurez-vous alors que le bouton d'enclenchement à droite du bras de support du chariot est enfoncé vers la gauche.
3. Branchez la trancheuse. Le voyant entre les boutons de départ et d'arrêt s'allumera.
4. Appuyez sur le bouton de DÉPART (ON) vert et la lame de la trancheuse commencera à tourner. En appuyant sur le bouton D'ARRÊT (STOP) rouge, la lame s'arrêtera.

Fonctionnement en mode automatique

5. S'il s'agit d'une trancheuse automatique : arrêtez l'appareil et tirez le bouton d'enclenchement automatique du côté droit complètement vers l'extérieur. Cela mettra la trancheuse en mode automatique.
6. Appuyez sur le bouton de sélection pour modifier la vitesse :
 - Un voyant DEL allumé signifie 20 tranches/minute (basse vitesse)
 - Deux voyants DEL allumés signifient 40 tranches/minute (vitesse moyenne)
 - Trois voyants DEL allumés signifient 60 tranches/minute (haute vitesse)
7. Appuyer sur le bouton de sélection de la longueur de parcours a pour effet de changer celle-ci. Cela permet de trancher les produits plus petits plus rapidement sans modifier la vitesse du chariot porte-produit. Assurez-vous que la longueur de parcours est plus grande que la largeur du produit.
 - Un voyant DEL allumé signifie que la longueur de parcours est réglée à $\frac{1}{3}$ du total possible
 - Deux voyants DEL allumés signifient que la longueur de parcours est réglée à $\frac{2}{3}$ du total possible
 - Trois voyants DEL allumés signifient que la longueur de parcours est réglée à pleine course
8. Appuyez sur le bouton vert de DÉPART (START) et le chariot porte-produit s'amènera lentement vers l'avant pour trouver sa position maison. Une fois arrivé à la position maison, il commencera alors son mouvement aller/retour à la vitesse et à la longueur de parcours prévus.
9. Appuyez sur le bouton D'ARRÊT (STOP) rouge et le chariot complètera sa course et s'arrêtera à la position maison.
10. Aussi longtemps que la trancheuse restera en mode automatique, elle se souviendra de sa position maison et démarrera toujours aussitôt le bouton de DÉPART vert enfoncé. Elle démarrera toujours lentement pour graduellement atteindre sa pleine vitesse. Ceci est le « démarrage en douceur ».
11. À chaque fois que la trancheuse sort du mode automatique pour y retourner ensuite, elle reviendra toujours en position maison avant de commencer sa course (tel que décrit à l'étape no 8).
12. Chaque fois que la trancheuse est activée en mode automatique, les derniers réglages de vitesse et de longueur de course seront répétés jusqu'à ce que l'alimentation électrique soit interrompue (p. ex. débrancher le cordon de la prise). Lorsque la trancheuse sera branchée de nouveau, le défaut en mode automatique sera la basse vitesse avec une longueur de course maximale.

Nettoyage et désinfection



Les procédures de nettoyage qui suivent ont été préparées avec l'aimable contribution de Kay Chemical, une entreprise de la société Ecolab.



Fréquence:

La trancheuse devra être nettoyée et désinfectée à intervalles réguliers pour respecter le code national d'hygiène, de même que les codes de l'état et/ou locaux.

Fournitures :

Un savon à vaisselle comme le détergent à marmites et ustensiles KAY®
Un assainisseur comme le KAYQUAT® II
Des tampons non abrasifs
Une brosse de nylon
Des gants résistants aux coupures
Des chiffons essuie-tout

Remarque: la concentration de l'assainisseur devra être en conformité avec la section 4-501,114 du Code alimentaire FDA, *Assainissement chimique des équipements de lavage de vaisselle manuels et mécaniques en matière de température, pH, concentration et dureté*. Si un assainisseur chimique autre que le chlore, l'iode ou l'ammonium quaternaire est utilisé, il doit l'être en conformité avec les instructions de l'étiquette déposée auprès de l'EPA.

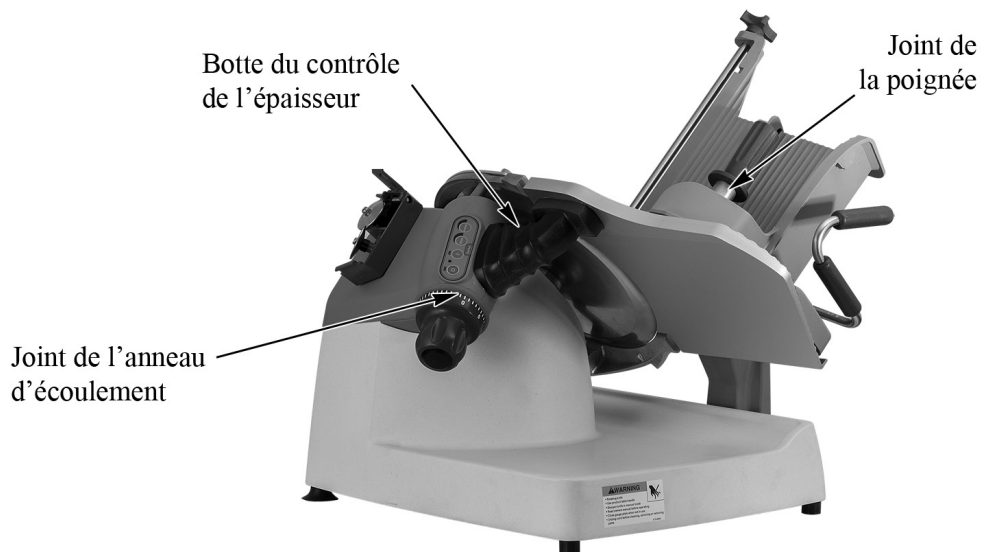
Procédure:

MISE EN GARDE: soyez extrêmement prudent lors du nettoyage de la lame.

1. Fermez le bouton du réglage d'épaisseur de la trancheuse.
2. Mettez la trancheuse à l'arrêt et débranchez le cordon de la prise de courant.
3. Tirez le chariot porte-produit à l'avant de l'appareil. S'il s'agit d'une trancheuse automatique, assurez-vous que le bouton d'enclenchement est en position manuelle avant de tirer le chariot porte-produit à l'avant de la trancheuse.
4. Dévissez la poignée rouge du poussoir pour le retirer. Dévissez et retirez la tige-glissière du bras du poussoir du chariot porte-produit. Desserrez le bouton de verrouillage du porte-produit et retirez-le. **Le chariot porte-produit ne peut pas être enlevé s'il n'est pas tiré complètement vers l'avant et le bouton d'épaisseur fermé.**
5. Pour enlever le couvre-lame, soulevez-le par le bouton de verrouillage situé sur le dessus.
6. Faites un premier grattage des aliments sur le porte-produit et le couvre-lame amovibles.
7. Lavez le porte-produit, le couvre-lame, la poignée rouge, le poussoir et son bras, ainsi que la tige-glissière dans une solution d'eau chaude savonneuse. L'affûteuse peut être plongée dans la solution d'eau chaude savonneuse pour la nettoyer.
8. Rincez le porte-produit, le couvre-lame, la poignée rouge, le poussoir et son bras, ainsi que la tige-glissière et l'affûteuse à l'eau potable chaude.
9. Immergez le porte-produit, le couvre-lame, la poignée rouge, le poussoir et son bras, ainsi que la tige-glissière et l'affûteuse dans une solution désinfectante. Mettez les pièces de côté sur une surface aseptisée et laissez-les sécher à l'air.
10. Mettez des gants résistant aux coupures. Retirez les aliments de la trancheuse.
11. À l'aide d'une solution d'eau fraîche savonneuse, nettoyez la face avant de la lame avec un tampon non abrasif, une brosse de nylon et/ou des chiffons essuie-tout. Essuyez toujours la lame en partant du centre vers les bords.
12. Nettoyez l'arrière de la lame avec la solution d'eau fraîche savonneuse, un tampon non abrasif, une brosse de

nylon et/ou des linges essuie-tout.

13. Pliez un linge essuie-tout que vous aurez plongé dans l'eau fraîche savonneuse et insérez-le entre la lame et l'anneau de protection en commençant par la base de l'anneau. Faites passer le linge prudemment autour de la lame en nettoyant le rebord de la lame, celui de l'anneau de protection et le rebord de la plaque d'épaisseur. **Soyez extrêmement prudent.**
14. Nettoyez le reste du caisson de la trancheuse et les autres composants avec la solution d'eau fraîche savonneuse et un tampon non abrasif.
15. Soulevez l'avant de la trancheuse d'environ 6 pouces (152 mm). Une béquille à ressort descendra sur la table et maintiendra l'avant de la trancheuse surélevé. Cela vous permettra d'extraire les aliments de la table et de nettoyer la surface sous la trancheuse à l'eau fraîche savonneuse.
16. À l'aide d'un linge essuie-tout propre, rincez le dessous de la trancheuse et la zone sous celle-ci à l'eau potable chaude.
17. Arrosez la trancheuse et la zone sous celle-ci avec une bouteille de pulvérisation remplie d'une solution de désinfection et laissez sécher à l'air. Retirez les gants résistant aux coupures.
18. Une fois la surface de la table sous la trancheuse nettoyée, rincée et désinfectée, soulevez le devant de la trancheuse et repoussez la béquille de support sous la trancheuse. Faites redescendre la trancheuse lentement sur la table.
19. Glissez le bras du poussoir dans la tige et remontez le poussoir sur son bras en vous servant de la poignée rouge. Revissez la tige-glissière sur le chariot porte-produit. Remplacez le couvre-lame et le chariot sur la trancheuse. Après l'assemblage, pulvérisez la solution de désinfection et laissez le tout sécher à l'air.
20. Branchez la trancheuse. Remettez l'affûteuse dans son espace de rangement.



Inspection des joints:

L'intervalle entre l'inspection des joints ne doit pas dépasser 6 mois.

Les inspections doivent être faites par le fabricant ou son mandataire autorisé.

AVERTISSEMENT

Si une garniture ou un joint d'étanchéité devient défectueux ou n'est plus présent, la trancheuse doit être retirée du service jusqu'à ce qu'elle ait été réparée par le fabricant ou l'un de ses mandataires autorisés.

Affûtage

N'affûtez que si c'est nécessaire. Des affûtages trop fréquents ou prolongés useront prématurément la lame et/ou les pierres. La lame devrait être affûtée lorsque vous remarquez des tranches gondolées ou des rebuts excessifs. **N'affûtez pas une lame non nettoyée. Vous ne pouvez pas affûter efficacement une lame sale.**

1. S'il s'agit d'une trancheuse automatique, assurez-vous que le bouton d'enclenchement du côté droit du bras de support est en mode manuel en le poussant (vers la gauche).
2. Assurez-vous que le chariot est tiré complètement vers l'avant de la trancheuse et que le bouton d'épaisseur est entièrement fermé.
3. Placez la languette supérieure de l'affûteuse dans la fente du porte-produit. Attachez le clip de l'affûteuse par-dessus le rebord du chariot porte-produit.
4. Ouvrez le bouton d'épaisseur jusqu'au bout pour exposer entièrement la lame.
5. Allumez la trancheuse et poussez doucement le chariot vers la lame comme si vous tranchiez un produit. Quand les deux pierres d'affûtage et d'ébarbage entrent en contact avec la lame, gardez cette position de 2 à 3 secondes et ensuite ramenez le chariot à la position maison.
6. Arrêtez la trancheuse et refermez le bouton d'épaisseur.
7. Retirez l'affûteuse du chariot porte-produit par le clip inférieur. Elle peut être nettoyée à l'évier et ensuite rangée dans un tiroir.
8. Après l'affûtage, nettoyez la trancheuse tel que décrit à la page 8.



Pièces de rechange/Service de l'entretien/Vues éclatées

Pour tout service d'entretien et besoin de pièces de rechange requis sur votre trancheuse Berkel, prière d'entrer en contact avec le service de l'entretien de Hobart ou votre centre de service désigné par Berkel. Pour connaître le bureau de service Hobart le plus près de chez vous, veuillez visiter le site www.hobartservice.com et cliquez sur "Locate an office (Trouver un bureau)". Vous pouvez alors, soit entrer votre CODE POSTAL, ou soit sélectionner un état pour localiser le bureau le plus près de chez-vous. Vous pouvez également visiter le site Web www.berkelequipment.com et cliquer sur l'onglet "Service". Ensuite, entrez votre CODE POSTAL pour afficher les bureaux de service Hobart ou les centres Berkel les plus près de chez-vous. D'autres informations touchant les produits, tels que des manuels de pièces détachées et des modes d'emploi, sont aussi disponibles sur le site Web www.berkelequipment.com. Cliquez sur l'onglet "Resource Center (Centre de documentation)" pour ensuite cliquer sur la catégorie de renseignements que vous désirez consulter ou télécharger. Assurez-vous d'entrer le numéro de modèle de votre produit. Pour obtenir plus d'information, adressez-vous à:

La Société Berkel
2006 Northwestern Parkway
Louisville, KY 40201
Téléphone (800) 348-0251
Télécopie (888) 888-2838
www.berkelequipment.com

Dépannage

Panne électrique

1. Le voyant témoin est-il allumé? S'il ne l'est pas :
 - Le cordon d'alimentation est-il bien enfoncé dans la prise murale?
 - Vérifiez si le cordon comporte des coupures ou des bris.
 - Est-ce que le courant se rend à la prise murale? Vérifiez-le en branchant un autre appareil ayant les mêmes exigences électriques.
2. Le voyant témoin est-il allumé mais clignotant? Si tel est le cas, alors appuyez sur le bouton d'arrêt et ensuite sur le bouton de départ. Si le témoin continue de clignoter, alors contactez le bureau de service Hobart le plus près de chez-vous, ou un centre de service autorisé par Berkel. Si vous ne connaissez pas les coordonnées du bureau de Hobart ou le centre de service de Berkel le plus près de chez-vous, alors voyez en page 10 les détails pour vous les procurer.
3. Si après avoir effectué la correction des conditions ci-dessus, votre trancheuse n'est toujours pas fonctionnelle, faites appel à votre bureau de service Hobart ou au centre de service désigné par Berkel.

Impossible de retirer le chariot porte-produit

1. Assurez-vous que la plaque d'épaisseur est fermée en tournant le bouton de réglage à 0, et que le chariot porte-produit est totalement tiré vers le devant de la trancheuse.

Le chariot porte-produit ne bouge pas librement

1. Assurez-vous que la trancheuse n'est pas en mode automatique.

Remarque : *le dispositif d'avancement sous la trancheuse ne devrait pas être huilé, ni lubrifié.*

Le poussoir ne glisse pas bien sur sa tige

1. Assurez-vous que la tige est propre et enduisez-la d'huile Berkel.

Le bouton de réglage ne fait pas bouger la plaque d'épaisseur

1. Le porte-produit est-il bien arrimé à son bras de support? S'il ne l'est pas, alors la plaque d'épaisseur ne peut pas s'ouvrir.
2. Si, après avoir corrigé cette anomalie, la trancheuse n'est toujours pas fonctionnelle, vous devez alors contacter le bureau de service Hobart ou le centre de service désigné par Berkel de votre région.

La lame ne s'affûte pas

1. La méthode d'affûtage décrite dans ce guide est-elle observée point par point?
2. Les pierres d'affûtage sont-elles propres? Si non, alors enlevez-les de l'affûteuse et nettoyez-les à fond avec de l'eau et une brosse à crins raides. Les écrous sont filetés à gauche.
3. Les pierres d'affûtage sont-elles usées et ne font pas contact avec la lame? Si oui, alors remplacez-les.
4. La lame est-elle propre? Si elle est couverte de gras alimentaire, les pierres d'affûtage n'aiguiseront pas la lame. Nettoyez la lame et les pierres.

Spécifications

Dimensions de l'appareil :

Largeur	26-3/4 po (680 mm)
Longueur	30-1/2 po (770 mm)
Hauteur	25-1/4 po (640 mm)

Diamètre de la lame : 13 po (330 mm)

Épaisseur des tranches : 0 à 1-5/16 po (0-33 mm)

Vitesse de tranchage (automatique):

Basse	20 tranches à la minute
Moyenne	40 tranches à la minute
Haute	60 tranches à la minute

Longueur de course (automatique):

Courte	5 po (127 mm)
Moyenne	9 po (229 mm)
Pleine	13 po (330 mm)

Gabarit de tranchage:

Carré	7-1/2 po x 7-1/2 po (190 mm x 190 mm)
Rond	8-1/2 po (220 mm)
Rectangulaire	10-1/2 po x 6-3/4 po (265 mm x 170 mm)

Poids net :

Manuelle	88 lb (40 kg)
Automatique	98 lb (44,5 kg)

Poids à l'embarquement :

Manuelle	118 lb (53,5 kg)
Automatique	128 lb (58 kg)

Tension / Intensité : 115/60/1 – 5,5 A

Horsepower: ½ HP (375 watts)

Accessoires offerts en option

GOULOTTE À LEGUMES (4975-00463)

Une goulotte à légumes qui se fixe au chariot porte-produit est disponible. La chute à légumes est utilisée pour trancher des fruits, viandes et légumes de tailles variées.

PLATEAUX

Plateau à salade de choux (3875-00241)

Le plateau à salade de choux est un bac profond pour la réception de larges quantités de produit et pour en retenir les jus.



Pour en faire plus.

Garantie

En vigueur le 14 février 2002

La Société Berkel (Berkel) garantit à l'acheteur d'un appareil neuf que le dit appareil, s'il est installé selon ses instructions et utilisé normalement, est exempt de défauts de matériel et de main d'oeuvre pendant une période d'un (1) an à partir de la date de la vente.¹

BERKEL REJETTE SPÉCIFIQUEMENT TOUTE GARANTIE TACITE DE QUALITÉ MARCHANDE OU TOUTE GARANTIE EXPRESSE OU TACITE DE CONFORMITÉ POUR UN BESOIN PARTICULIER.

L'obligation et la responsabilité de Berkel en vertu de cette garantie se limitent expressément à la réparation ou au remplacement d'un équipement dont les matériaux ou la main d'oeuvre auraient été prouvés défectueux à l'intérieur de la période de garantie. Berkel ou une agence de service désignée par Berkel effectueront toutes les réparations dans le cadre de cette garantie. Berkel nie expressément toute responsabilité quant aux dommages accessoires ou indirects subis par l'acheteur ou tout autre tiers, y compris sans s'y limiter, les dommages causés par les blessures personnelles, les pertes de profits, les pertes d'occasions d'affaires, les pertes matérielles, les pertes financières, les dommages statutaires ou exemplaires, que ce soit suite à une négligence, garantie, responsabilité sans faute ou autrement.

Cette garantie ne couvre pas l'entretien périodique de l'équipement y compris mais sans s'y limiter, la lubrification, le remplacement des lames usées, les couteaux, les boutons, les accessoires et divers articles consommables, et tout autre réglage rendu nécessaire suite à l'installation, la mise en place ou l'usure normale.

Ces garanties ne sont émises qu'à l'acheteur initial par l'entremise d'un réseau commercial autorisé par Berkel. Aucune garantie n'est accordée à un cessionnaire subséquent.

Les stipulations de garantie données aux présentes constituent une déclaration complète et exclusive de la garantie entre l'acheteur et le vendeur. Berkel n'assume pas la prise en charge par toute personne de toute autre obligation ou responsabilité à l'égard du dit équipement, ni n'autorise personne à ce faire. Cette garantie remplace toute garantie présente et antérieure faisant l'objet des présentes.

¹ Les trancheuses de modèle 180 comportent une garantie de 90 jours.