



Project \_\_\_\_\_  
 AIA # \_\_\_\_\_ SIS # \_\_\_\_\_  
 Item # \_\_\_\_\_ Quantity \_\_\_\_\_ C.S.I. Section 114000

## B12A-SLC

### Gravity Feed Slicer



Model B12A-SLC



### SPECIFIER STATEMENT

Berkel Model B12A-SLC automatic/manual gravity feed slicer features Berkel's hollow ground chromium-plated, carbon steel knife and built-in sharpener. The permanent, tapered guard covers the non-slicing portion of the knife, even when the center plate is removed. The 45° table makes product feed easier, creating more consistent and uniform slices with less waste. The ½ HP motor, 12" knife and large product table are ideal for handling oversize meats, cheeses and a variety of other products. The B12A-SLC is easy to clean and disassembles quickly without tools. The compact space-saving design is ideal for limited kitchen counter space.

Complies with NSF/ANSI Standard #8.

### PERFORMANCE FEATURES

- 1-speed, ½ HP, totally enclosed and permanently lubricated knife motor
- Precise slice adjustment to a thickness of ¼" (14 mm)
- Automatic / Manual operation
- Single speed automatic carriage
- Carriage handles food up to 10¾" (273 mm) wide, by 7½" (194 mm) high or 7⅝" (187 mm) diameter
- Furnished in 115/60/1, 4.0 amp, AC, ETL listed

### EASY TO OPERATE FEATURES

- 45° product table with removable meat pusher
- Top-mounted, two stone knife sharpener produces a consistently sharp knife edge
- Attached 6-foot, flexible, 3-wire cord and plug for grounded receptacle (5-15P)
- No Volt Release
- Gauge plate/carriage interlock

### EASY TO CLEAN FEATURES

- Removable carriage arm
- Permanent, tapered knife ring guard covers non-slicing portion of knife even when the center plate is removed; ring guard design provides more room behind the knife for easy cleaning
- Finish is stainless steel and sanitary anodized aluminum; unit disassembles quickly without tools for easy cleaning
- Nominal 12" (300 mm) diameter; hollow ground, hardened and polished forged chromium-plated carbon steel knife
- Positive, moisture protected, on/off switch with power light indicator

B12A-SLC – Gravity Feed Slicer

Approved by \_\_\_\_\_ Date \_\_\_\_\_ Approved by \_\_\_\_\_ Date \_\_\_\_\_



# B12A-SLC Gravity Feed Slicer

## SPECIFICATIONS

**Motor:** 1-speed, ½ HP, totally enclosed, permanently lubricated ball bearings, thermally protected.

**Electrical:** Furnished in 115/60/1, 4.0 amps, AC, ETL listed.

**Finish/Construction:** All food contact areas are stainless steel or anodized aluminum including the pusher, gauge plate, product table, center plate, knife ring guard and one-piece base. Slicer disassembles quickly without tools for easy cleaning.

**Knife:** Nominal 12" (300 mm) diameter, hollow ground, hardened and polished forged chromium-plated carbon steel, rotates at 380 rpm.

**Cutting Capacity:** Carriage handles food up to 10¾" (273 mm) wide by 7⅝" (194 mm) high or 7⅜" (187 mm) diameter.

**Slice Thickness:** Precision system provides infinite slice adjustment and consistent cuts of hard or soft foods from tissue thin to ⅝" (14 mm).

**Full Gravity Feed:** Full 45° angle feed requires less mechanical pressure. Equipped with removable anodized aluminum pusher to hold product and minimize waste.

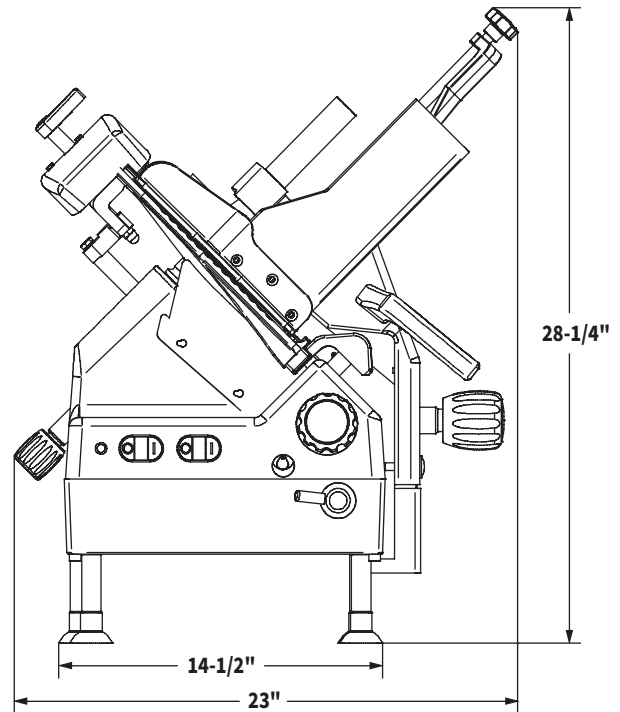
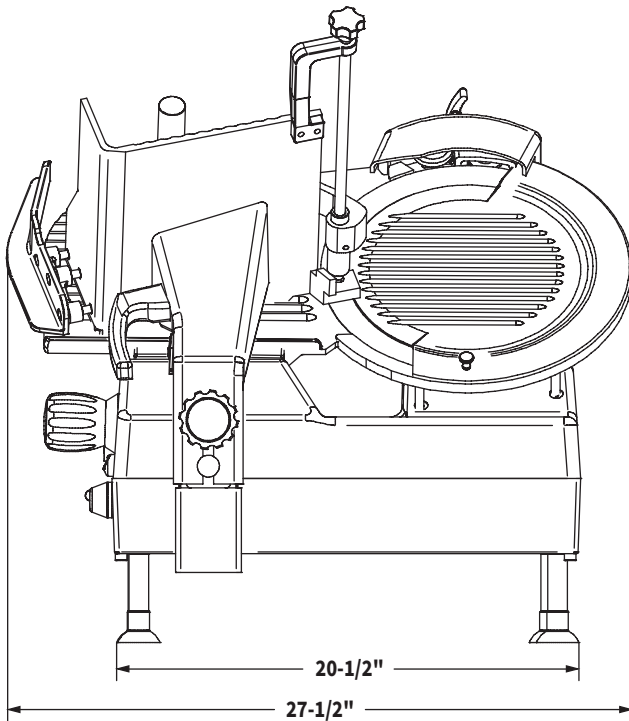
**Knife Sharpener:** Top mounted, two stone system for a lasting, razor-sharp edge.

**Knife Ring Guard:** Permanent, tapered guard covers non-slicing portion of knife edge even when the center plate is removed. The ring guard is designed to provide added room behind the knife for easy cleaning.

**On/Off Switch:** Highly reliable, moisture resistant, on/off switch with power light indicator.

**Cord and Plug:** Attached 6-foot, flexible, 3-wire cord and plug for grounded receptacle (5-15P).

**Warranty:** All parts, service and travel coverage for one year, excluding wear items.



| MODEL NUMBER | CUTTING CAPACITY   | SLICE THICKNESS | KNIFE DIAMETER | PRODUCT DIMENSIONS |               |               |
|--------------|--|-----------------|----------------|--------------------|---------------|---------------|
|              |  |                 |                | WIDTH              | DEPTH         | HEIGHT        |
| B12A-SLC     | 10¾" (273 mm) wide<br>7⅝" (194 mm) high<br>7⅜" (187 mm) diameter | to ⅝" (14 mm)   | 12" (305 mm)   | 23" (584 mm)       | 27½" (699 mm) | 28¼" (718 mm) |

| MODEL NUMBER | MOTOR           | ELECTRICAL           | WEIGHT  | BOX DIMENSIONS |              |              |
|--------------|-----------------|----------------------|---|----------------|--------------|--------------|
|              |                 |                      |   | WIDTH          | DEPTH        | HEIGHT       |
| B12A-SLC     | 1-speed<br>½ HP | 115/60/1<br>4.0 amps | Net 107 lbs. (49 kg)<br>Ship 123 lbs. (56 kg) | 31" (787 mm)   | 32" (813 mm) | 39" (991 mm) |

As continued product improvement is a policy of Berkel, specifications are subject to change without notice.