



Underbar Sink - Slim-Line

Stainless Steel Underbar Sinks



Use your smart phone to scan the above QR code to visit our website:
www.bk-resources.com

Certifications:



Features:

- Integrally Welded Bowls 10"(l) x 14"(w) x 10"(d)
- Stamped and Pitched Drainboards
- Standard 18" Depth
- Includes: BKF-W2-10-G Faucet, BKDR-2 Basket Drains, BK-OT-15075 7" Overflow Tubes
- Adjustable End Bracing

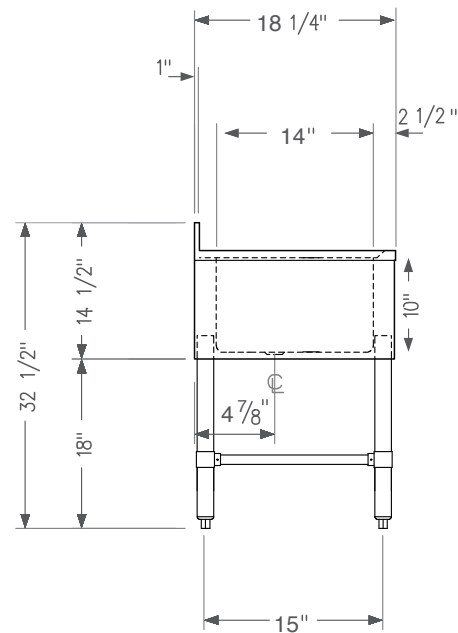
Material:

- T-304 18 ga. Stainless Steel
- Stainless Steel Legs & Bracing
- Adjustable High Impact Corrosion Resistant Feet

Options:

- Upgraded Bullet Feet

Length	Part Number	# of Bowls	Sets of Faucet Holes	Drainboard Size
24"	BKUBW-224S	2	1	N/A
36"	BKUBW-236LS	2	1	(1) L - 12 ³ / ₄ "
	BKUBW-236RS	2	1	(1) R - 12 ³ / ₄ "
48"	BKUBW-336S	3	1	N/A
	BKUBW-248LS	2	1	(1) L - 24"
	BKUBW-248RS	2	1	(1) R - 24"
	BKUBW-248TS	2	1	(2) - 13 ³ / ₁₆ "
	BKUBW-348LS	3	1	(1) L - 13 ³ / ₁₆ "
	BKUBW-348RS	3	1	(1) R - 13 ³ / ₁₆ "
60"	BKUBW-448S	4	2	N/A
	BKUBW-360LS	3	1	(1) L - 24 ¹ / ₈ "
	BKUBW-360RS	3	1	(1) R - 24 ¹ / ₈ "
72"	BKUBW-360TS	3	1	(2) - 13 ¹ / ₂ "
	BKUBW-372TS	3	1	(2) - 19"
84"	BKUBW-472TS	4	2	(2) - 13 ³ / ₄ "
	BKUBW-484TS	4	2	(2) - 19"
96"	BKUBW-384TS	3	1	(2) - 25"
	BKUBW-396TS	3	1	(2) - 31"
	BKUBW-496TS	4	2	(2) - 25"



PRODUCT DATA SHEET

BK RESOURCES

