



Underbar Blender Station w/ Sink

Stainless Steel Underbar Blender Stations



Use your smart phone to scan the above QR code to visit our website:
www.bk-resources.com

Certifications:



(Shown with Optional Faucet)

Features:

- Integrally Welded Bowl 14"(l) x 10"(w) x 6"(d)
- Accepts 4" O.C. Splash Mount Faucet
- Legs Easily Install Directly Into the Body

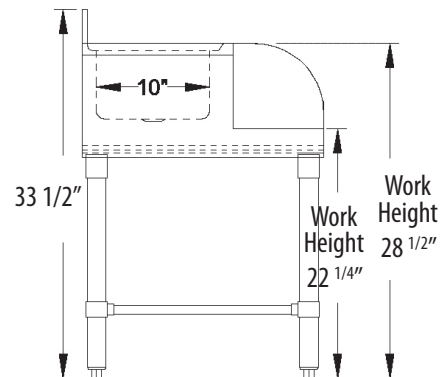
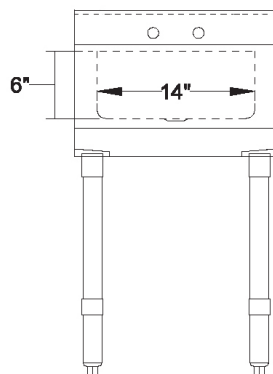
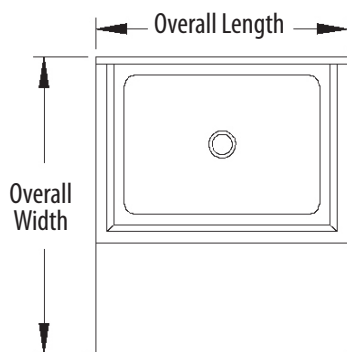
Material:

- T-304 18 ga. Stainless Steel
- Stainless Steel Legs
- Adjustable High Impact Corrosion Resistant Feet

Options:

- Upgraded Bullet Feet

Part Number	Unit Size (l x w)	Blender Station Size (l x w x h)	Included Faucet	Product Weight (lbs)
UB4-21-1410BSS	18" x 21 1/4" x 33 1/2"	17 3/4" x 8 1/16" x 7 1/2"	N/A	36.00
UB4-21-1410BSS-P-G	18" x 21 1/4" x 33 1/2"	17 3/4" x 8 1/16" x 7 1/2"	BKF-W2-3G-G	36.00



PRODUCT DATA SHEET

BK RESOURCES

