

## FEATURES

- Black steel body with insulated doors
- Stainless steel interior & work top
- Fan forced cooling system
- Interior LED lighting
- Lockable doors
- Self-evaporation water tray
- Includes 4 heavy duty epoxy coated shelves (2 per door)
- Side mounted compressor & condensing unit
- Includes adjustable feet and 3" casters
- Removable installation board for easy cleaning & service
- Dixell digital temperature controller
- Heavy duty 1/5 HP Embraco compressor

## TEMPERATURE

- Interior temperature range: 0°C to 8°C (32°F to 46°F)



BBG-28-59



BBS-28-59

## WARRANTY

- 2 years parts and labour  
7 years compressor warranty
- Extended warranty options available

Project: \_\_\_\_\_

Date: \_\_\_\_\_

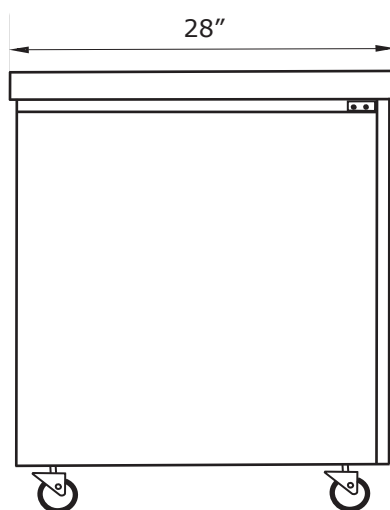
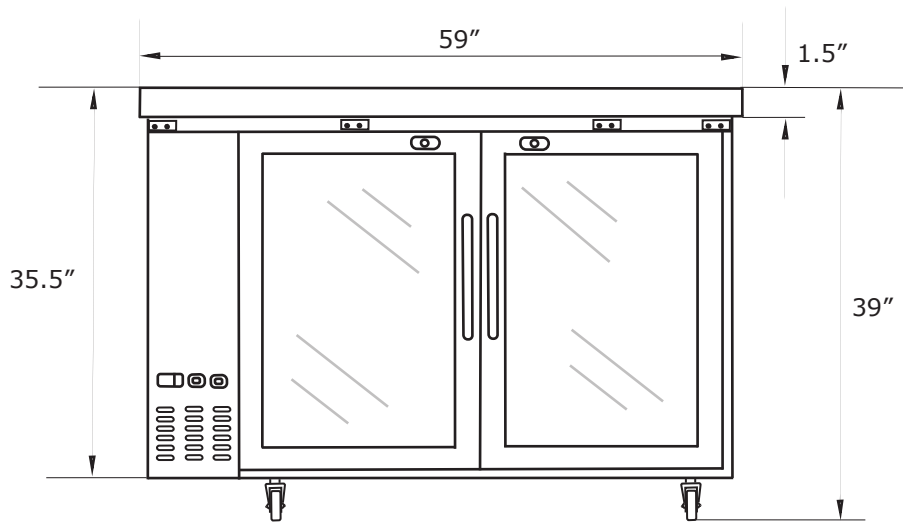
Price: \_\_\_\_\_

Model BBG-28-59/ BBS-28-59

Back Bar Cooler

## SPECIFICATIONS

Volts (V)	Watts (W)	Amps (A)	Volume (cu./ft)	Refrigerant	Overall Dimensions			Interior Dimensions			Weight	
					Width	Depth	Height	Width	Depth	Height	Net	Gross
115V	333W	2.9A	19	R290	59	28	35.5	N/A	N/A	N/A	355 LB	N/A



CERTIFICATIONS:



NEMA 5-15P