

FEATURES

- Black steel body with insulated doors
- Stainless steel interior & work top
- Fan forced cooling system
- Interior LED lighting
- Self-evaporation water tray
- Side mounted compressor & condensing unit
- Lockable doors (not available on sliding door model)
- Includes 4 heavy duty epoxy coated shelves (2 per door)
- Includes adjustable feet and 3" casters
- Removable installation board for easy cleaning & service
- Dixell digital temperature controller
- Heavy duty 1/6 HP Embraco compressor



BBG-24-49



BBS-24-49

TEMPERATURE

- Interior temperature range: 0°C to 8°C (32°F to 46.4°F)



BBG-24-49-S

WARRANTY

- 2 years parts and labour
7 years compressor warranty
- Extended warranty options available

Project: _____

Date: _____

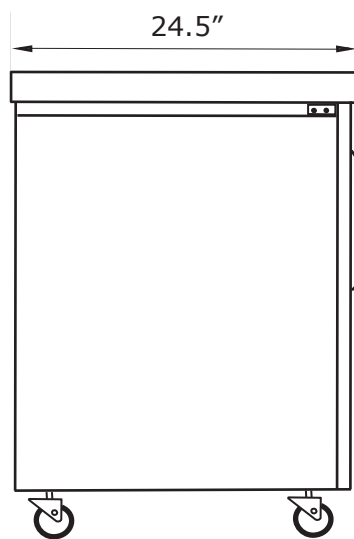
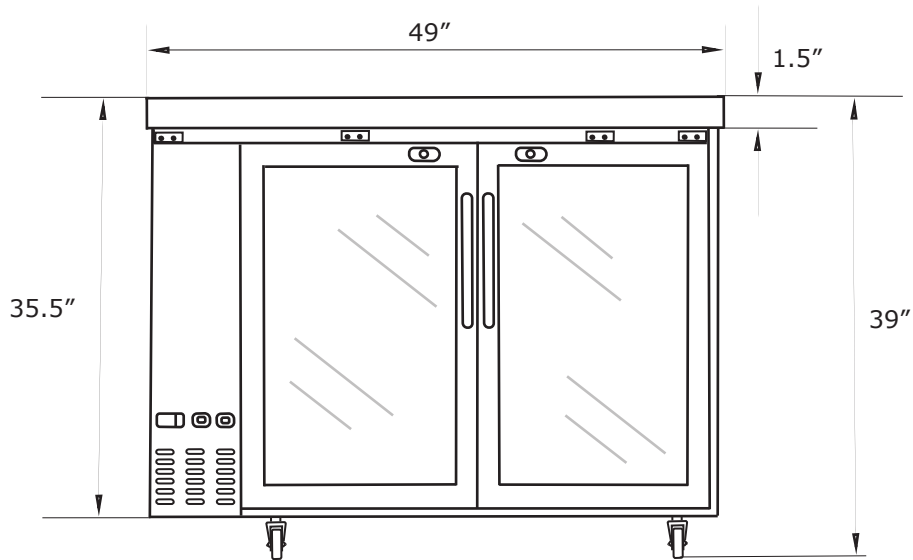
Price: _____

Model BBG-24-49/ BBS-24-49/ BBG-24-49-S

Back Bar Cooler

SPECIFICATIONS

Volts (V)	Watts (W)	Amps (A)	Volume (cu./ft)	Refrigerant	Overall Dimensions			Interior Dimensions			Weight	
					Width	Depth	Height	Width	Depth	Height	Net	Gross
115V	333W	2.9A	11.8	R290	49	24.5	35.5	N/A	N/A	N/A	315 LB	N/A



CERTIFICATIONS:

