



# AX-513RH

**Half Size Convection Oven with Humidity  
Manual Controls - Reversing Fan - 3 shelves**



		<b>Features</b>
<b>Manual controls</b>	Time, temperature, humidity	
<b>Load capacity</b>	3 shelves for half size sheet pans	
<b>High speed reversing fan</b>	1 (3200 rpm)	• Advanced airflow design
<b>Space between shelves</b>	3" (75 mm)	• Automatic high speed reversing fan
<b>Power requirements</b>	1,650 Watts / 120 V / 60 / 1 Oven supplied with power cord and plug	• Manual control: 120 minute timer or continuous ON
<b>Temperature</b>	86° - 540° F	• Interior halogen light
<b>Equipped with</b>	120 minute timer - Signal at end of cycle	• Includes electro valve for direct water connection
<b>Cavity size (inches)</b>	18.7"x15"x9.6" (WxDxH)	• Micro safety switch shuts oven off when door is open
<b>Unit dimensions (inches)</b>	22.05" x 25.48" x 17.90" (WxDxH)	• Heavy duty stainless steel body construction
<b>Shipping dimensions (inches)</b>	23.63" x 26.77" x 19.69" (WxDxH)	• "Cold Door" design with double pane glass
<b>Net / Ship weight</b>	62 lb / 73 lb	• Reinforced door hinges
		• Oven door can support weight limit of 80 lbs.
		• Oven cavity is insulated with ultra-high temperature fiberglass insulation
		• 3 Stainless steel wire shelves
		• Ovens can be stacked (kit required)
		• Warranty: 2 years parts & 1 year labor exclusive of lights, gaskets and glass

## OVEN STANDS & PROOFERS



**AX-501 OVEN STAND**  
SHIP WT: 43 lbs

- HD stand with tray slides for half size sheet pans
- Dimensions: 23.30" x 20.87" x 31.50"
- Accommodates any "5" series ovens



**AX-PR5**  
SHIP WT: 133 lbs



- Capacity: 8 half size sheet pans
- Space between pans: 3"
- 208-240/60/1, 2000 Watts
- Heat setting up to 140°F
- Manual fill water supply in bottom tray

## CONVECTION ACCESSORIES



**DEFLECTOR**  
CODE: 124-DEF

- 1 is required for "5" series
- Air deflector plate for delicate baking

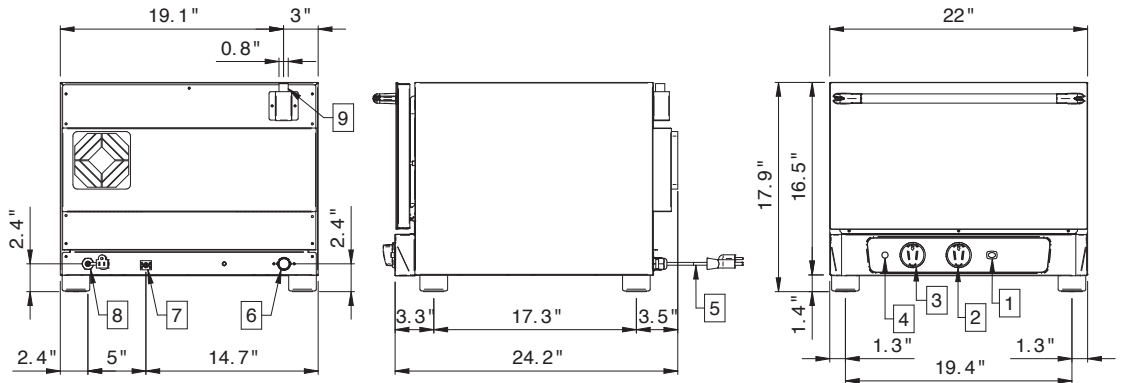


**STACKING KIT "5" SERIES**  
CODE: 124-KIT5

- Stacking kit for "5" Series

## LINE DRAWINGS

AX-513RH



514-737-9701 786-600-4687

TOLL FREE: 888-275-4538

TOLL FREE: 844-218-8477

5659 ROYALMOUNT AVE, MONTREAL, QC, CANADA H4P2P9

12000 BISCAYNE BLVD, SUITE #108, MIAMI, FL, USA 33181

MVPGROUPCORP.COM SALES@MVPGROUPCORP.COM