

# AXIOM 4/2 TWIN (4U/2L Warmers)

19.1" x 22.4" x 16.4"  
(48.5cm x 56.9cm x 41.7cm)



 Servers and airpots sold separately

- Adjusts automatically to varying water pressure
- Automatic warmer shut-off
- For high lime areas, BrewLOGIC® technology calculates flow rate and adjusts brew time to maintain consistent pot levels
- Electronic diagnostics and built-in tank drain make service easier
- Large 200oz. (5.9L) tank provides back-to-back brewing capacity
- Ensure coffee quality with programming for brew level, cold brew lock-out and tank temperature, set easily from the front of the machine
- Coffee extraction controlled with programmable pre-infusion, pulse brew and digital temperature precision
- All stainless steel construction
- Energy-saver mode reduces tank temperature during idle periods
- Hot water faucet
- SplashGard® funnels deflect hot liquids away from the hand
- Six individually controlled warming stations
- Twin brew head system

Agency:



## Specifications

**Product #:** 38700.0014

**Warmers:** Four Upper / Two Lower

**Water Access:** Plumbed

**Finish:** Stainless

**Funnel:** Stainless Steel

**Faucet:** Upper

## Additional Features

DBC

## Electrical & Capacity

| Volts       | Amps | Watts | Cord Attached | Plug Type | 8oz cups/hr<br>236ml cups/hr | Input H <sup>2</sup> O Temp. | Phase | # Wires plus Ground | Hertz |
|-------------|------|-------|---------------|-----------|------------------------------|------------------------------|-------|---------------------|-------|
| 120/208-240 | 27.9 | 6700  | No            | -         | 240                          | 60°F (15.5°C)                | 1     | 3                   | 60    |

## Plumbing Requirements

| PSI   | kPa     | Fitting Supplied        | Water Flow Required (GPM) |
|-------|---------|-------------------------|---------------------------|
| 20-90 | 138-621 | 3/8" Male Flare Fitting | -                         |

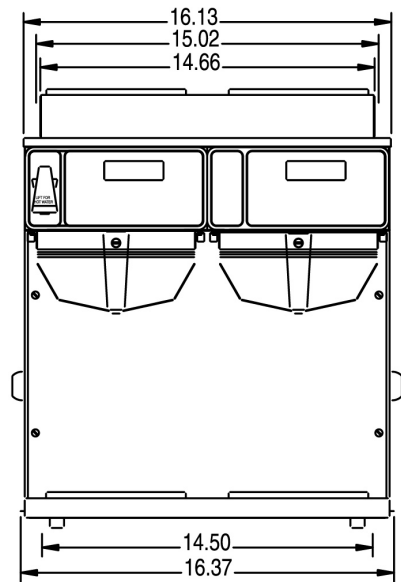
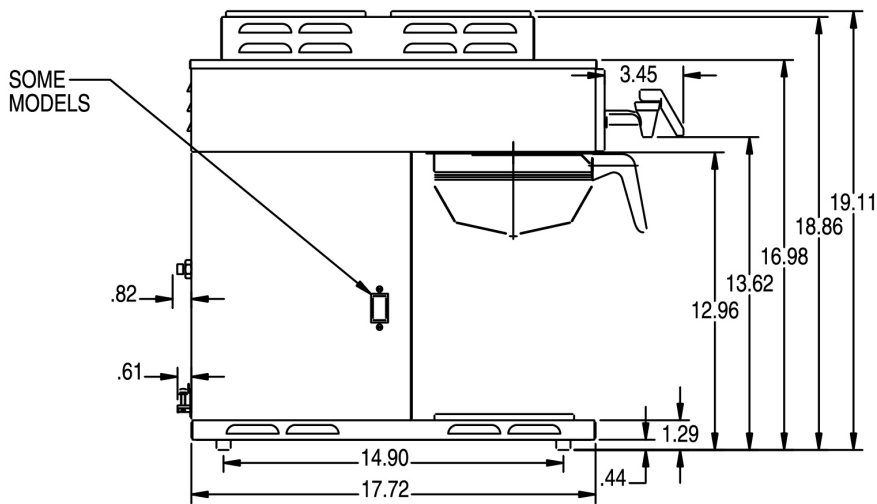
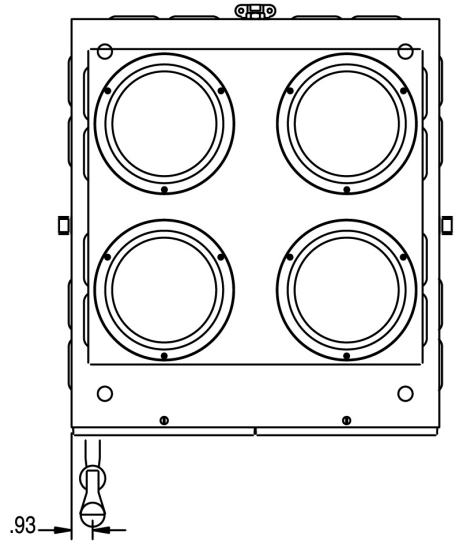
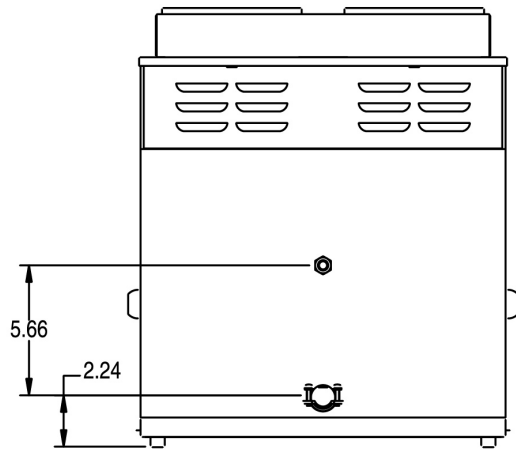
## CAD Drawings

| 2D | Revit | KLC |
|----|-------|-----|
| ●  |       |     |



BUNN® reserves the right to change specifications and product design without notice. Such revisions do not entitle the buyer to corresponding changes, improvements, additions or replacements for previously purchased equipment. For most current specifications and other info visit [bunn.com](http://bunn.com).

Created on:  
09/13/2017



|         | Unit     |          |          | Shipping |          |          |            |                       |
|---------|----------|----------|----------|----------|----------|----------|------------|-----------------------|
|         | Width    | Height   | Depth    | Width    | Height   | Depth    | Weight     | Volume                |
| English | 16.4 in. | 19.1 in. | 22.4 in. | 19.9 in. | 22.4 in. | 25.8 in. | 52.250 lbs | 5.939 ft <sup>3</sup> |
| Metric  | 41.7 cm  | 48.5 cm  | 56.9 cm  | 50.5 cm  | 56.9 cm  | 65.5 cm  | 23.701 kgs | 0.168 m <sup>3</sup>  |



BUNN® reserves the right to change specifications and product design without notice. Such revisions do not entitle the buyer to corresponding changes, improvements, additions or replacements for previously purchased equipment. For most current specifications and other info visit [bunn.com](http://bunn.com).

Created on:  
09/13/2017

## Related Products & Accessories: AXIOM 4/2 TWIN (4U/2L Warmers)(38700.0014)



FILTERS,REGULAR1M  
500/2 50/CL

Product #: 20115.0000



PAPEL FILTRANTE

Product #: 20115.0000



FILTERS,C GOURMET  
500/2 50/CL

Product #: 20157.0001



PAPEL FILTRANTE

Product #: 20157.0001



FUNNEL ASSY,SST-BLK  
HDL(7.62)

Product #: 20217.0000



PORTA FILTRO

Product #: 20217.0000



WATER FILTER,  
EQHP-10L

Product #: 39000.0001



WATER FILTER,  
EQHP-10

Product #: 39000.0004



WATER FILTER, SCALE-  
PRO

Product #: 39000.0010



FILTRO DE AGUA CON  
ACCESORIOS

Product #: 39000.0010



BUNN® reserves the right to change specifications and product design without notice. Such revisions do not entitle the buyer to corresponding changes, improvements, additions or replacements for previously purchased equipment. For most current specifications and other info visit [bunn.com](http://bunn.com).

Created on:  
09/13/2017

# Serving & Holding Options: AXIOM 4/2 TWIN (4U/2L Warmers)(38700.0014)



EASY POUR,(BLK) 1/CS

Product #:06100.0101



EASY POUR,(BLK) 2/CS

Product #:06100.0102



JARRAS

Product #:06100.0102



EASY POUR,(BLK) 3/CS

Product #:06100.0103



JARRAS

Product #:06100.0103



EASY POUR,(BLK) 6/CS

Product #:06100.0106



JARRAS

Product #:06100.0106



EASY POUR,(BLK) 12/CS

Product #:06100.0112



EASY POUR,(BLK) 24/CS

Product #:06100.0124



EASY POUR,(BLK) 6-1/2 CS

Product #:06100.0156



EASY POUR,(ORN) 1/CS

Product #:06101.0101



EASY POUR,(ORN) 2/CS

Product #:06101.0102



JARRAS

Product #:06101.0102



EASY POUR,(ORN) 3/CS

Product #:06101.0103



EASY POUR,(ORN) 6/CS

Product #:06101.0106



JARRAS

Product #:06101.0106



EASY POUR,(ORN) 12/CS

Product #:06101.0112



EASY POUR,(ORN) 24/CS

Product #:06101.0124



DECANTER,GLASS-BLK  
12C 24/CS

Product #:42400.0024



DECANTER,GLASS-BLK  
12CUP 1PK

Product #:42400.0101



BUNN® reserves the right to change specifications and product design without notice. Such revisions do not entitle the buyer to corresponding changes, improvements, additions or replacements for previously purchased equipment. For most current specifications and other info visit [bunn.com](http://bunn.com).

Created on:  
09/13/2017

## Serving & Holding Options: AXIOM 4/2 TWIN (4U/2L Warmers)(38700.0014)



DECANTER, GLASS-BLK  
12C 3/CS

Product #:42400.0103



DECANTER, GLASS-ORN  
12C 24/CS

Product #:42401.0024



DECANTER, GLASS-  
ORN 12 CUP 1PK

Product #:42401.0101



DECANTER, GLASS-ORN  
12C 3/CS

Product #:42401.0103



BUNN® reserves the right to change specifications and product design without notice. Such revisions do not entitle the buyer to corresponding changes, improvements, additions or replacements for previously purchased equipment. For most current specifications and other info visit [bunn.com](http://bunn.com).

Created on:  
09/13/2017