

# ALPHA

FOOD EQUIPMENT

## CURVED GLASS DISPLAY FOOD WARMER

ACDW- Series  
(ACDW-22-1, ACDW-22-2)

### KEY FEATURES:

- Rear swing open door
- Hold open feature for easy loading
- Includes mechanical thermostat
- ACDW-22-1: Single chrome plated shelf
- ACDW-22-2: Double chrome plated shelves
- Built-in water pan to add humidity
- Adjustable feet to level unit on uneven surfaces
- 1 year parts and labour warranty

Introducing the Alpha curved glass display food warmer.

This countertop glass display food warmer is a simple solution to display variety of hot food. The curved walls of this food warmer grant the warming showcase a beautiful appearance and makes it easy for customers to see your menu. It includes a rapid heating function to ensure quick & easy warming.

The internal humidity pans keeps food fresh for longer. The heating element will be heated automatically within the set temperature range, which greatly reduces the energy consumption.

This display food warmer is the perfect way to showcase your products or to feature certain foods on your menu.



ACDW-22-1



ACDW-22-2



ALPHA

CURVED GLASS DISPLAY FOOD WARMER



NEMA 5-15P

Specifications are subject to change without notice

# SPECIFICATIONS:

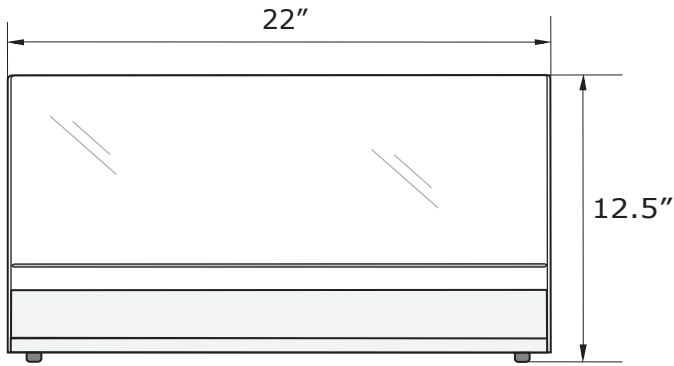
CURVED GLASS DISPLAY FOOD WARMER

| UNIT MEASUREMENTS |       |       |        |          |        |
|-------------------|-------|-------|--------|----------|--------|
| MODEL             | WIDTH | DEPTH | HEIGHT | VOLUME   | WEIGHT |
| ACDW-22-1         | 22"   | 15"   | 12.5"  | 0.9cu/ft | 27 lbs |
| ACDW-22-2         | 22"   | 15"   | 15"    | 1.6cu/ft | 32 lbs |

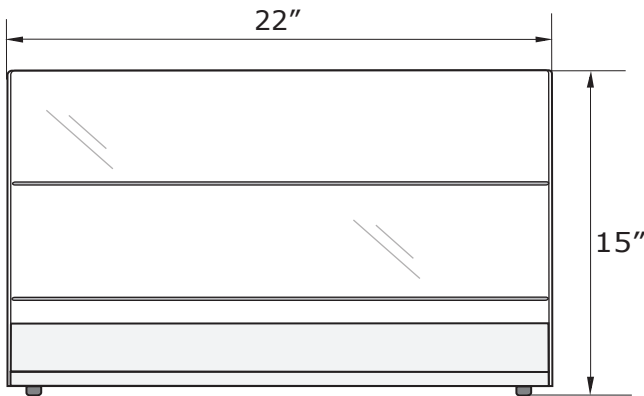
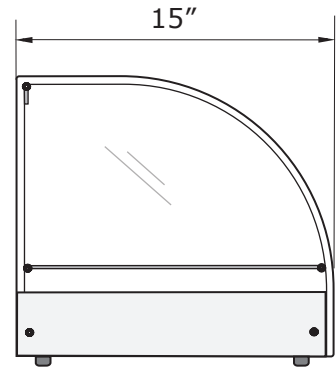
| ELECTRICAL |       |       |
|------------|-------|-------|
| MODEL      | VOLTS | WATTS |
| ACDW-22-1  | 110V  | 800W  |
| ACDW-22-2  | 110V  | 800W  |

## TEMPERATURE RANGE:

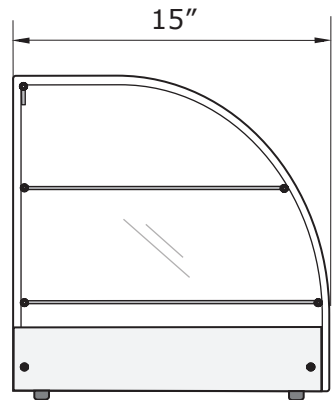
- ACDW-22-1: 30°C - 90°C (86°F - 194°F)
- ACDW-22-2: 30°C - 90°C (86°F - 194°F)



ACDW-22-1



ACDW-22-2



Specifications are subject to change without notice