

INSTRUCTIONS



MODEL 4146 CHOPPER

ML-33607 (PAINTED) (RH)

ML-33609 (SST) (RH)

*THIS MANUAL REPLACES AND SHOULD BE
USED INSTEAD OF FORM 15437 (9-84)*



701 S. RIDGE AVENUE
TROY, OHIO 45374-0001
937 332-3000
www.hobartcorp.com

FORM 37018 Rev. A (September 2016)

TABLE OF CONTENTS

GENERAL	3
INSTALLATION	4
Unpacking.....	4
Electrical Connection	5
Three Phase Machines.....	5
Safety Interlock.....	5
OPERATION.....	6
CLEANING	7
MAINTENANCE	8
Lubrication	8
TROUBLESHOOTING	8
Service.....	8

Installation, Operation, and Care of 4146 Chopper

SAVE THESE INSTRUCTIONS

GENERAL

The 4146 Chopper is equipped with a 5 HP motor that rotates the worm at 215 RPM. The 4146 is designed to use a #32 size knife and plate. Knives and plates, available at extra cost, are not included with the chopper.

The stainless steel or hot dipped tin feed pan on the 4146 is removable or can be tilted, so it can be easily washed at the sink or in place. Dimensions on the feed pan are 49" long x 26³/₄" wide x 4¹/₂" deep at the front edge and 9" deep at the high back edge. A cast aluminum guard is permanently mounted to the sides of the feed pan. An electrical interlock system requires both the bowl and feed pan be in place before the machine can be turned on. The machine housing is stainless steel. This machine is a floor model with 16" legs being standard option and provides a 2¹/₄" clearance between the floor and the lowest point on the adjusting ring. Other leg lengths (18¹/₂" or 21") are also available. Sausage stuffers for hog or sheep casings are available accessories.

The chopper can grind 60 to 65 pounds of boneless beef per minute, first cut, through a 1/8" plate. The second cut grind rate is 45 to 50 pounds per minute through a 1/8" plate. Frozen meat must be tempered to 26°F or higher before grinding.

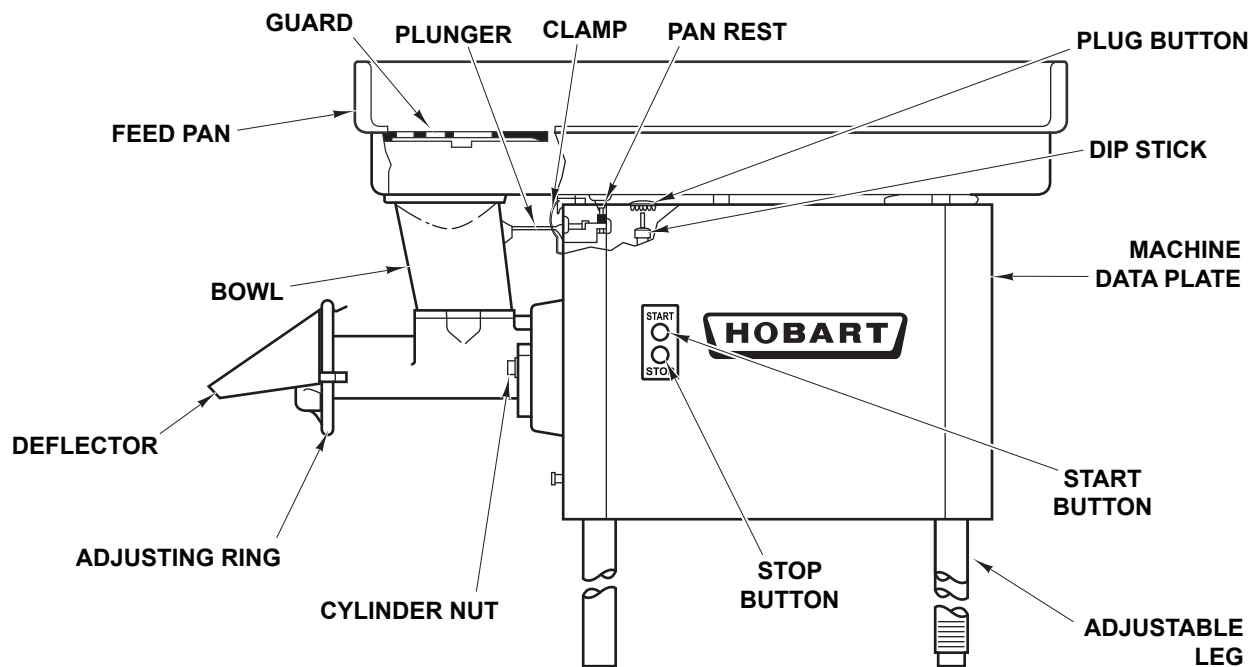


Fig. 1

INSTALLATION

UNPACKING

The chopper was inspected before leaving the factory. The carrier assumes full responsibility for the safe delivery upon acceptance of the shipment. Check for possible shipping damage immediately after receipt.

If the chopper is found to be damaged, complete the following steps;

1. Carrier must be notified within five business days of receipt.
2. Carrier's local terminal must be notified immediately upon discovery (note time, date, and who was spoken to), and follow up and confirm with written or electronic communication.
3. All original packing materials must be kept for inspection purposes.
4. The chopper cannot have been moved, installed, or modified.
5. Notify Hobart customer care at (800) 333-7447.

Remove the carton from around the machine. Remove the machine top cover. Unscrew and save the four shipping bolts and lock washers – they are to be reused for attaching the legs to the machine.

Prior to installation, verify that the electrical service agrees with the specifications on the machine data plate.

Open the separate package containing the four legs. Assemble the adjustable leg (used for leveling) at the right rear corner when facing the rear of the machine for right-to-left operation. Assemble the non-adjustable legs at the other three corners. Replace the machine top cover. Standard mounting of the controls is on the right side of the chopper for right to left operation.

Use the spanner wrench to loosen the adjusting ring. Unscrew and remove the adjusting ring using both hands. Remove and discard the retaining washer and rubber pad used at the front of the worm where the knife and plate are to be installed.

The chopper must be thoroughly cleaned and sanitized after installation and before operation. Refer to the Cleaning section.

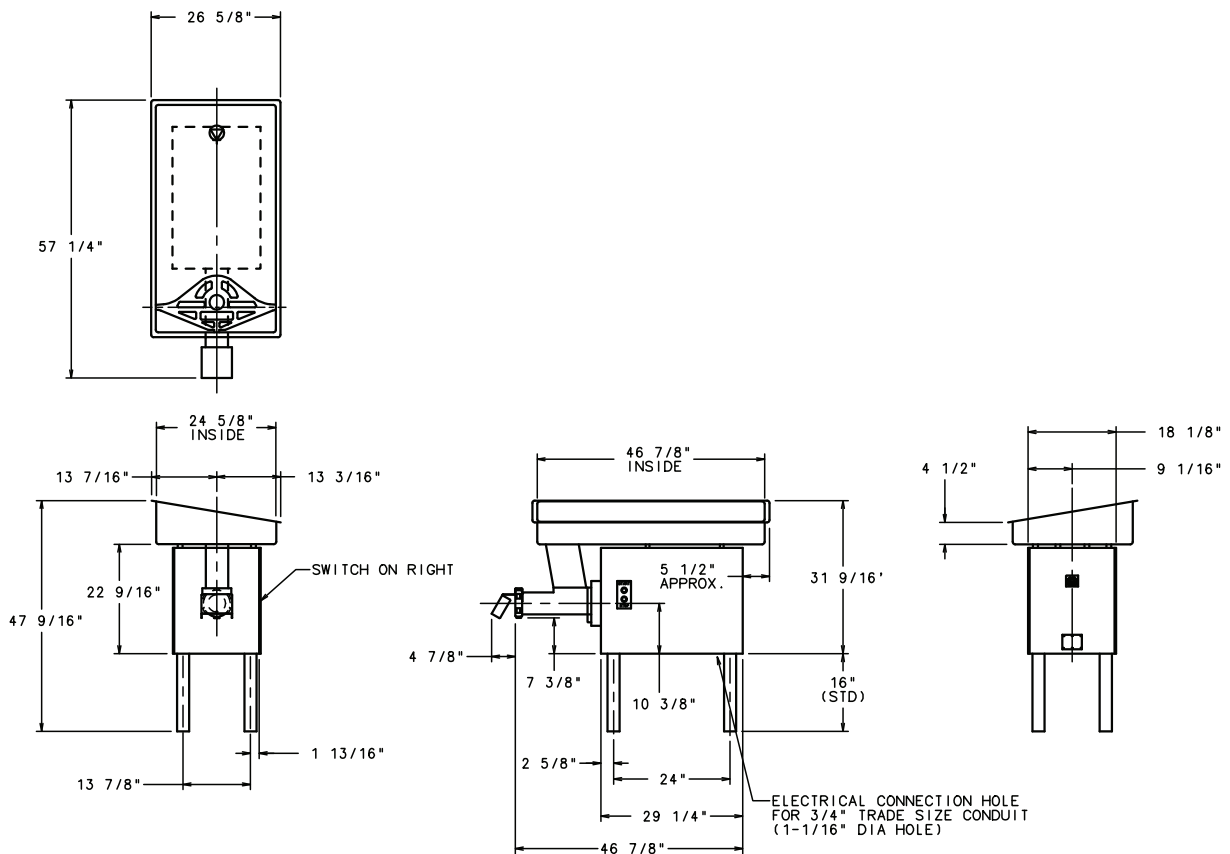


Fig. 2

ELECTRICAL CONNECTION

⚠ WARNING Electrical and grounding connections must comply with the applicable portion of the National Electrical Code and/or other local electrical codes.

⚠ WARNING Disconnect the electrical power to the machine and follow lockout / tagout procedures.

A $1\frac{1}{16}$ " diameter hole for a $\frac{3}{4}$ " trade size conduit is located in the bottom panel. Remove access panel from the back of the unit. Refer to the machine data plate and the wiring diagram located on the machine for proper sizing of branch circuit. Upon completion, fasten the access panel in place with screws.

THREE PHASE MACHINES

Three phase machines must be connected so that the attachment drive runs counterclockwise when facing the hub. To check the direction of rotation, turn the chopper on momentarily. If rotation is not correct, DISCONNECT ELECTRICAL POWER SUPPLY and interchange any two of the incoming power supply leads. Reconnect power to the chopper. Turn the chopper on momentarily to verify correct motor rotation.

SAFETY INTERLOCK

This chopper has an interlock system that makes it inoperative with either the feed pan lifted or removed, or the bowl section of the cylinder removed. When either the feed pan or bowl is not in position, the plungers break the electrical circuit making the chopper inoperative.

OPERATION

⚠ WARNING Do not operate without guard over feed opening. Do not put hands into feed opening. Use feed stomper.

After cleaning, assemble chopper Cylinder, Bowl, Worm, Knife, Plate, Adjusting Ring, and Feed Pan as discussed in cleaning. Place the Deflector over the Adjusting Ring.

- To start the chopper, push the start button
- To stop the chopper, push the stop button

The fineness of cut depends on the hole size of the chopper Plate. The Knife and Plate must be kept clean and sharp for a fine cut. The tightness of the Adjusting Ring does not regulate fineness of cut; therefore only moderate tightness is recommended. The Adjusting Ring should be only hand-tight.

Cut the meat into chunks about the size of a fist and place in the Feed Pan. Feed meat under the guard and into the Feed Pan opening. The special high back on the Feed Pan permits the loading of large quantities of meat without spilling. Use the Feed Stomper to dislodge over-sized pieces or to dislodge meat which may become stuck in the Feed Pan opening or the Cylinder opening. It is not necessary to force meat through the chopper.

When the product is run through the chopper a second time, more speed is attained by feeding small quantities at a time. Allow the machine to feed at its own rate.

CLEANING

⚠ WARNING Disconnect the electrical power to the machine and follow lockout / tagout procedures.

The chopper should be thoroughly cleaned at the end of each day or any time it is not to be used for an extended period of time.

A heavy duty right hand feed pan is available in either tinned steel or stainless steel. The pan can be removed for cleaning in the sink or merely tilted back for in place cleaning. The tilt-back feature allows cleaning or removal of the cylinder without removing the pan from the machine. To tilt the Feed Pan, unlatch the clamps on the front of the housing and lift the end of the pan. Lift the pan rest to a vertical position (Fig. 3).

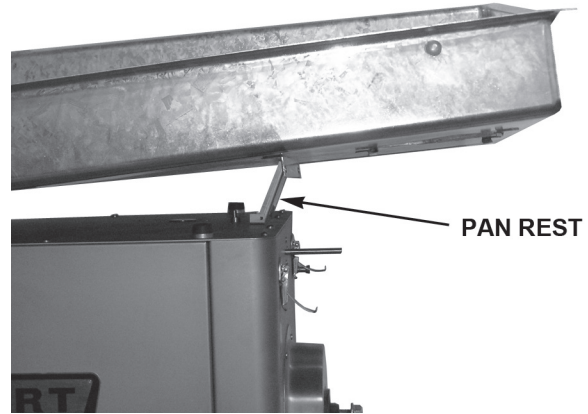


Fig. 3

After the Feed Pan has been tilted or removed, pull the deflector straight up to remove it. Remove the bowl. Using the spanner wrench, loosen the Adjusting Ring. Unscrew and remove the Adjusting Ring with both hands. Hook the spanner wrench around the Worm stud and pull the Worm end out of the Cylinder. Remove the Knife and Plate and then the Worm. Place the removed parts in a sink for cleaning.

Using the spanner wrench, loosen but do not remove the cylinder nuts. With one hand on bottom of cylinder for support (it is heavy), turn the Cylinder clockwise and remove to a sink.

Thoroughly clean all removed parts in a sink using hot soapy water and sanitize them. The Feed Pan can either be taken to the sink or washed in the tilted position. Wipe machine housing with a damp cloth.

Prior to reassembly, apply a light coating of tasteless mineral oil to the inside of the Cylinder, the threads of the Cylinder and the Adjusting Ring, the Worm edges, the Knife and Plate and any other exposed (non-plated) metal surfaces.

To reassemble the machine, first install the cylinder by rotating it counterclockwise until the ears are under the cylinder nuts. Tighten the cylinder nuts finger-tight.

Slide the Worm into the Cylinder and rotate it to engage the square shank with the attachment drive.

With the spanner wrench, tighten the cylinder nuts.

NOTICE Do not over-tighten the cylinder nuts.

Install the Knife (cutting edges out) and the Plate. Screw the Adjusting Ring on hand-tight.

Install the bowl and deflector.

Reassemble the Feed Pan or return it to its non-tilted position.

The Feed Stomper may be stored in the throat of the cylinder.

MAINTENANCE

⚠ WARNING Disconnect the electrical power to the machine and follow lockout / tagout procedures.

LUBRICATION

The fan end bearing of the motor is grease lubricated and sealed for life of the machine. The front motor bearing is lubricated from the transmission and will not need lubricating attention.

Occasionally check the transmission lubrication level. Make sure the machine has stopped and allow time for oil to drain from the fill tube. Remove the plug button on top of the housing. Remove the dip stick and wipe off the dip stick and check to the indicator line.

Annually, or when needed, contact Hobart Service for transmission lubrication maintenance.

TROUBLESHOOTING

SYMPTOM	POSSIBLE CAUSE
Chopper will not operate.	Electrical power not connected.
	Circuit Breaker tripped or fuse blown.
	Pan is not properly assembled.
	Bowl not seated properly
	If the above suggestions do not remedy the situation, contact Service.

SERVICE

Contact your local Hobart-authorized Service Office for any repairs or adjustments needed on this equipment.