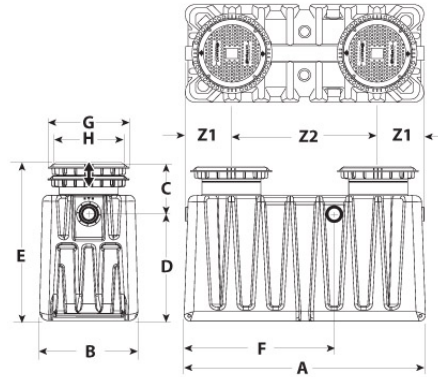




Part Description:
 4" 150 Gallon per Minute Endura XL Grease Interceptor with Traffic Rated Cover

Part Number:
 40150A04

Approvals and Listings maintained by:
 Canplas Industries Ltd
 Canada: 1-800-461-5300 USA: 1-888-461-5307



Part #	Part UPC	Colour	Size (inches)	Ctn Qty	Ctn Bar Code	Ctn. Wt (Kgs)	Ctn. Wt (lbs)	Skid Cubic (m)	Skid Cubic (ft)	Ctns/Skid
40150A04	662671071095	BLACK	4"					2.20	77.69	1

Dimensions (inches)

A	B	C	D	E	F	G	H	Z1	Z2
78	32	14	34.5	48.5	48.5	26	22	15.25	47.5