

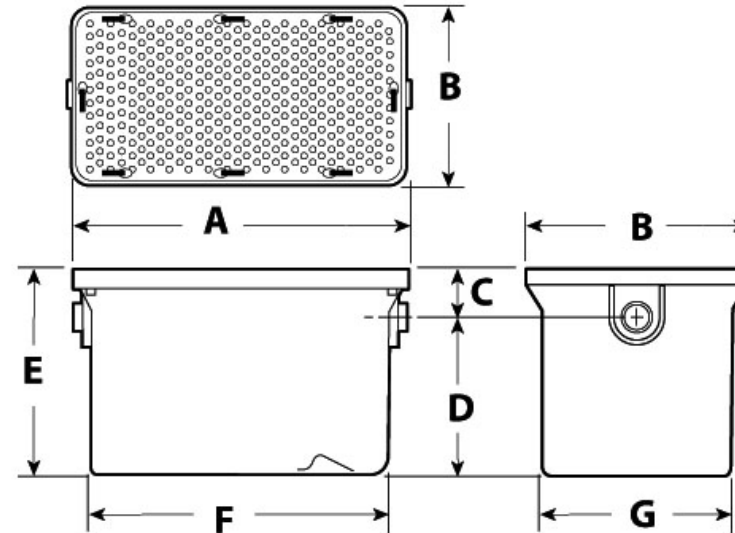


Submittal Sheet

Part Description:
 Endura 25 GPM/50lbs Grease Interceptor, 3"
 No-Hub, Accessible Flow Control Device
 HxHxH

Part Number:
 3925XTA03

Approvals and Listings maintained by:
Canplas Industries Ltd
 Canada: 1-800-461-5300 USA: 1-888-461-5307



Part #	Part UPC	Colour	Size (inches)	Ctn Qty	Ctn Bar Code	Ctn. Wt (Kgs)	Ctn. Wt (lbs)	Skid Cubic (m)	Skid Cubic (ft)	Ctns/Skid
3925XTA03	662671070333	GREY	25gpm-3"	1	10662671070330	17.13	37.69	5.39	190.20	6
Dimensions (inches)										
A	B	C	D	E	F	G				
31.25	19	4.5	12	16.5	28	15.5				