

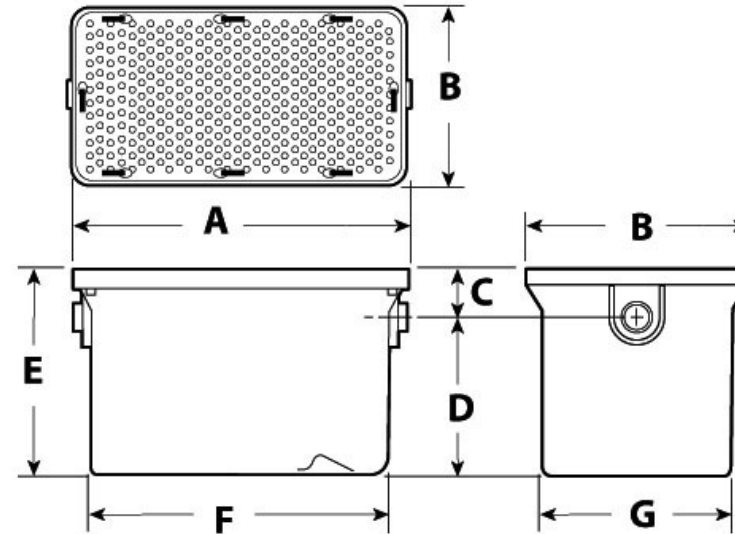


**Submittal Sheet**

Part Description:  
 Endura 25 GPM/50lbs Grease Interceptor, 2"  
 No-Hub, Accessible Flow Control Device  
 HxHxH

Part Number:  
 3925XTA02

Approvals and Listings maintained by:  
**Canplas Industries Ltd**  
 Canada: 1-800-461-5300 USA: 1-888-461-5307



Part #	Part UPC	Colour	Size (inches)	Ctn Qty	Ctn Bar Code	Ctn. Wt (Kgs)	Ctn. Wt (lbs)	Skid Cubic (m)	Skid Cubic (ft)	Ctns/Skid
3925XTA02	662671070326	GREY	25gpm-2"	1	10662671070323	16.15	35.53	5.39	190.20	6

**Dimensions (inches)**

A	B	C	D	E	F	G
31.25	19	4.5	12	16.5	28	15.5