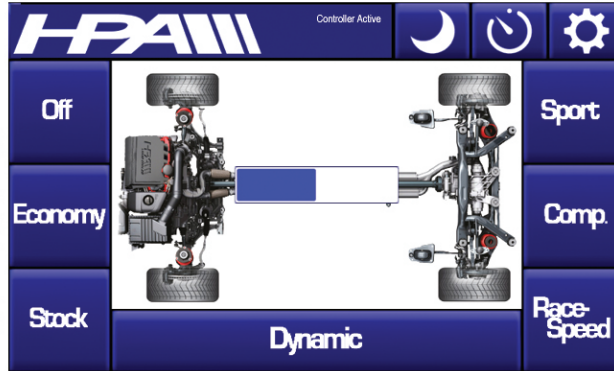


Night Performance
Mode Suite Settings



OFF: Completely disables AWD system for use on FWD dyno, burnouts, and highway cruising

ECONOMY: Less aggressive than Stock for maximum fuel efficient daily driving

STOCK: Replicates OEM factory Haldex controller

SPORT: Increased power to the rear for optimum balance between power and drag

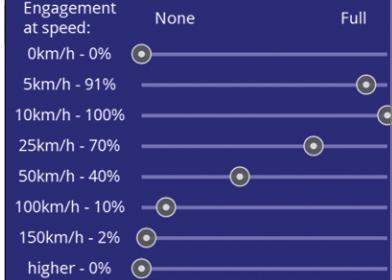
COMP: Rear power optimized for maximum traction with minimal drag at higher speeds

RACE-SPEED: Transfers power based primarily on vehicle speed as defined by user. Recommended for drag racing / track use only.

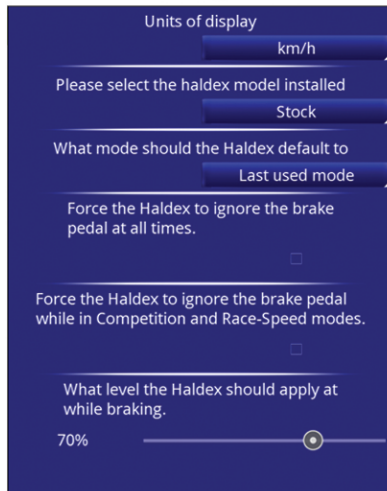
DYNAMIC: Switches between user defined low mode (Eco, Stock, or Sport) and high mode (Stock, Sport, or Comp) based on driver demand, throttle position, and RPM

Race-Speed Settings:

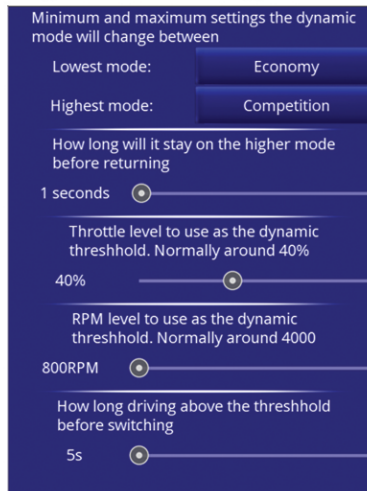
This is used in Race-Speed mode to adjust the torque transfer to the back axle based on speed.



Global Settings:



Dynamic Settings:



Troubleshooting:

LED Indicator Light	Status	Action
Solid Green	Unit working correctly. Haldex and Vehicle BUS communicating.	None required
Blinking Green	Firmware issue, vehicle will only function in FWD	Update required
Solid Red	Hardware issue, vehicle will only function in FWD	Contact HPA for support
Single Red Blink	Vehicle BUS issue	Check Communication Cable is properly connected
Double Red Blink	Haldex BUS issue	Check Communication Cable is properly connected
Single Red Blink + Double Red Blink	Both Vehicle and Haldex BUS showing errors	Check Communication Cable is properly connected
No Indicator	Control Unit does not have power	Turn ignition power on / check wiring
On Screen Display	Status	Action
Controller Active	Wifi system is communicating	None required
Controller Found	Touch Screen Interface is connecting to Control Unit via wifi	Wait for connection
Disconnected	Wifi not connecting Touch Screen Interface to Control Unit	Turn ignition power on / Check wiring / Ensure control unit has power
Continuous cycling through Disconnected / Controller Found / Controller Active	Wifi is working but Haldex is not responding	Check LED indicator on Control Unit
Periodic cycling through Disconnected / Controller Found / Controller Active	Wifi connection cycling to clear intermittent communication errors.	Ignore as long as "Controller Active" is displayed for at least a minute at a time.

Updates:

Periodic updates will be available for download from HPA's website. Copy the update file to a Micro SD Card (not included). Insert Micro SD Card into the slot on the Touch Screen Interface. Power on TMAP unit and the update procedure will launch automatically. Follow the prompts to install. Turn on vehicle ignition power and TMAP system for Control Unit to receive update from Touch Screen Interface via wifi.