

SMART SECURITY | CAM

100% Wire-free & With Ai-powered Event Detection

Warning

This equipment has been tested and found to comply with the limits for a Class B digital device, pursuant to Part 15 of the FCC Rules. These limits are designed to provide reasonable protection against harmful interference when the equipment is operated in a commercial environment. This equipment generates uses and can radiate radio frequency energy, if not installed and used in accordance with the instructions, may cause harmful interference to radio communications.

The antennas used for this transmitter must be installed to provide a separation distance of at least 20 cm from all persons and must not be co-located for operating in conjunction with any other antenna or transmitter.

FCC (USA) 15.9 prohibition against eavesdropping except for the operations of law enforcement officers conducted under lawful authority, no person shall use, either directly or indirectly, a device operated pursuant to the provision of this part for the purpose of overhearing or recording the private conversations of other unless such use is authorized by all of the parties engaging in the conversation.

CE RED

This product can be used across EU member states.

CE RED

Das Produkt kann in allen EU-Mitgliedstaaten verwendet werden.

CE RED

Ce produit peut être utilisé dans tous les États membres de l'UE.

CE RED

Este producto puede ser usado en todos los estados miembros de la UE.

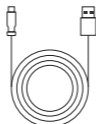
CE RED

Questo prodotto può essere utilizzato in tutti gli stati membri dell'UE.

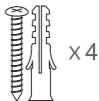
What's In The Box



Ejector Pin



USB Cable



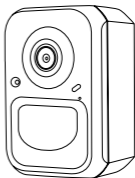
Screws
Anchors



Quick Guide

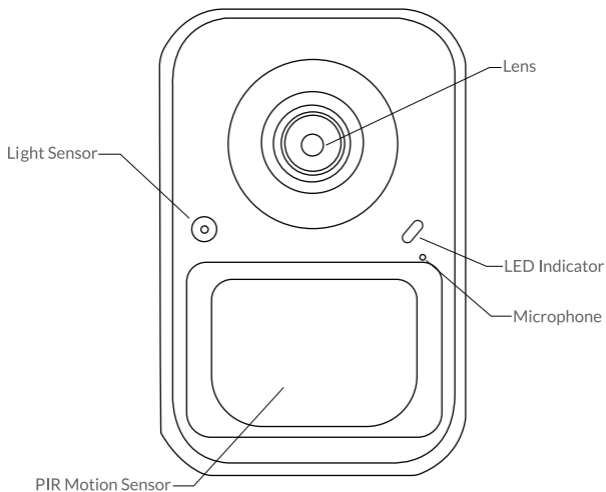


Threaded Bracket
Drilling template



Smart Battery Cam

Camera Structure



Threaded Bracket Interface

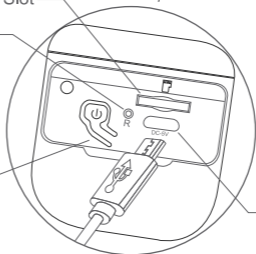
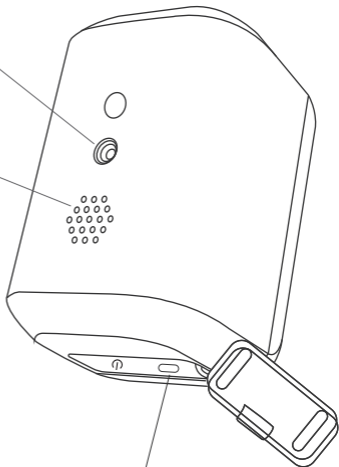
Speaker

Micro SD Card Slot

Reset

Power Button

Charging Port



Smart Battery Cam comes with a built-in card slot that supports up to 128GB Micro SD card.

Step 1: Make sure your Smart Battery Cam is power off. Press buttons on both sides, and pull out the back cover.

Step 2: Open the silicone cover and insert Micro SD card. Make sure you insert it in the correct direction.

Step 3: Finally push back the back cover.

Battery Charging



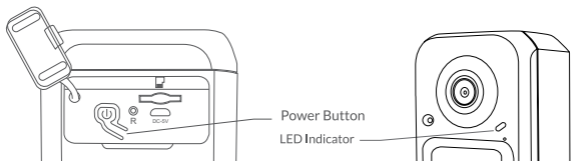
The batteries inside the camera are not fully charged according to the transportation safety regulations. Please charge the batteries with a USB Cable (5V adapter not included).

The LED Indicator will be in solid yellow when charging and will turn to solid green when it is fully charged. It takes about 8-10 hours to fully charge your camera.

How To Turn On & Off The Camera

To turn on the camera:

Press the Power Button on the bottom of the camera to turn it on. Then the LED Indicator in the front of the camera will be solid blue.



LED Indicator	Description
Solid Blue	Working
None	Sleep/Power Off
Solid Yellow	Charging
Solid Green	Charging Finished

To turn off the camera:

Press the power button on the bottom of the camera to turn it off. Then the LED Indicator in the front of the camera will be off.

Read Before Installation

1. Keep the camera and all accessories out of reach of children and pets.
2. Please note that the Smart Security Cam is 5V input.
3. Working temperature: -10°C to 50°C (-14°F to 122°F)
Working relative humidity: 0-90%
4. Please do not expose the camera lens to direct sunlight.

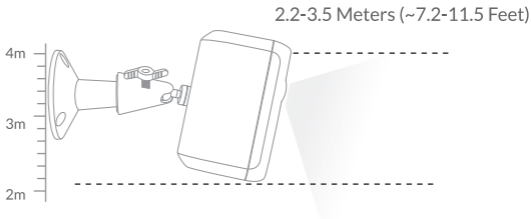
Note:

1. This camera only works with 2.4GHz Wi-Fi.
2. Strong lights may interfere with the ability to scan the QR code.
3. Avoid placing the device behind furniture or near microwaves. Try to keep it within range of your Wi-Fi signal.

Installation

You can choose **Threaded Bracket installation.**

Check the following things before you drill holes on your wall: This camera has been successfully added to your Vicohome App and is able to stream video.

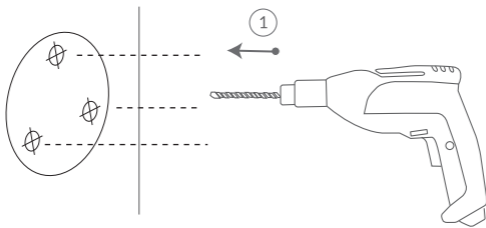


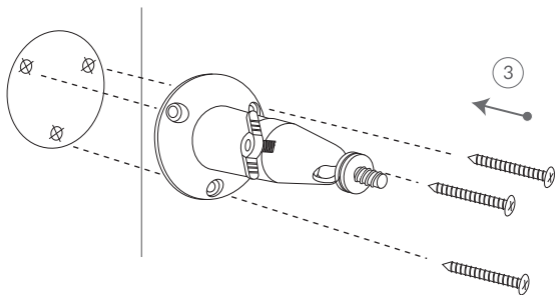
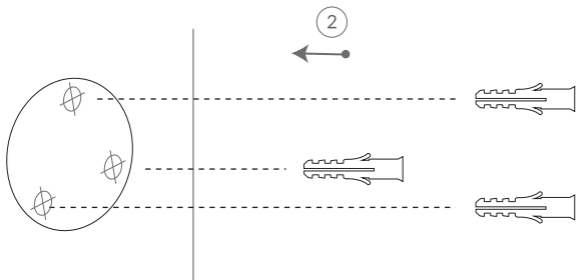
Find a good installation spot.

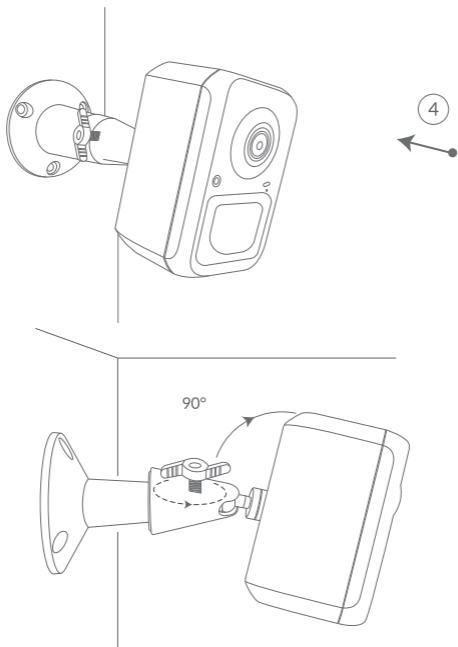
- Height of installation from the ground is suggested around 2.2-3.5M (~7.2-11.5 Feet).
- PIR (motion sensor) setting for lighting on/off automatically is around 10M (30 Feet).
- Make sure the camera's sight is not blocked.

Threaded Bracket installation Method

1. Use the provided drilling template to mark the position of holes on your wall. Use a drill bit (15/64", 6mm) to drill three holes.
2. Install anchors to fix the screws.
3. Install the Threaded Bracket on your wall with the screws provided.
4. Rotate the camera clockwise to install it on the Threaded Bracket.







Rotate the handle nut on the bracket counterclockwise to loosen and adjust the camera angle to cover the surveillance area. Finally tighten the camera clockwise. Make sure the camera is within Wi-Fi range.

Set Up With Vicohome App



Download Vichome App from App Store or Google Play. You can also download the App by scanning the QR code above with the QR code scanner in your smartphone.

Technical Specifications

Video & Audio

Image Sensor	1/2.9" color CMOS Sensor
Resolution	T31ZL
Image Resolution	1920 × 1080 px
Lens	2.8mm(3MP), F2.0, Angle of view:110°
Minimum Illumination	0.01 Lux
Video Compression	H.264/H.265
Audio Input/Output	2-way audio with noise cancellation
Audio Compression	AAC

Network

Wireless Network	2.4G Wi-Fi (IEEE802.11b/g/n), built-in antenna
------------------	--

Supportable Protocol	TCP/IP, UDP/IP, DHCP, RTMP, MUTP
Supportable IP Address	Dynamic IP address supported

Storage

Storage Type	Micro SD Card(Max 128G)
Cloud storage	Support
Recording	Triggered by PIR motion sensor
Wake-up	PIR body induction wake-up, and remote positive wake-up
Alarm	Alarm push by mobile APP and alarm sound
AI	Human contour detection, activity zone, intelligent push, pet snapshot,Package inspection

Software

App Name	Vicohome
system	IOS,Android

Power Consumption

Battery Capacity	5200mAh/6700mAh (Optional)
Standby Power Consumption	1.68mW (4V 0.42mA)
Power Consumption of The Daytime Operation	0.88W (4V 220mA)
Power Consumption of Operation at Night	2.20W (4V 550mA)
Battery Life	6 months (provided that 20 10s videos are recorded per day)
Standby Time	1 year

General

Battery Charging	DC 5V 1A-2A(Micro USB Port)
Dustproof and waterproof	IP65
Operating Environment	-10° ~ 45°C /10% ~ 80% (no condensation)
Storage Environment	-20°C ~ 60° /0% ~ 90% (no condensation)
Size	89mm × 58mm × 59mm(without bracket)
Weight	0.208KG

Frequently Asked Questions

Q1: Why doesn't the Wi-Fi name appear when I connect to Wi-Fi?

A1: You need to turn on the "location permission" for the app in the system settings and change it to "allow when using".

Q2: Will the camera show red lights when night vision is activated?

A2: The built-in infrared lamp beads make the camera only show some dim red lights when night vision is activated, but the image quality is still clear under no light environment.

Q3: What are the requirements for Wi-Fi?

A3: Please use a 2.4GHz wireless network. The device does not support the 5GHz wireless network. Meanwhile, please set the Wi-Fi authentication method to wpa2-psk or other lower level of the security method. A password is required.

Q4: How far should the camera be placed from the router?

A4: After testing, the Wi-Fi connection distance can normally reach up to 100 meters in the open area. However, the actual situation depends on the strength of Wi-Fi and its surrounding environment.

Q5: What is the maximum length of recording time?

A5: You can choose the recording time in the app. The camera record for a fixed time or "auto" mode, when depending on whether there is a person, the maximum length of a video is 3 minutes.

Q6: What should I do when the device is malfunctioning?

A6: Long press the power button to restart the camera.